

DESIGN

PURCHASE

CONSTRUCT

ENJOY



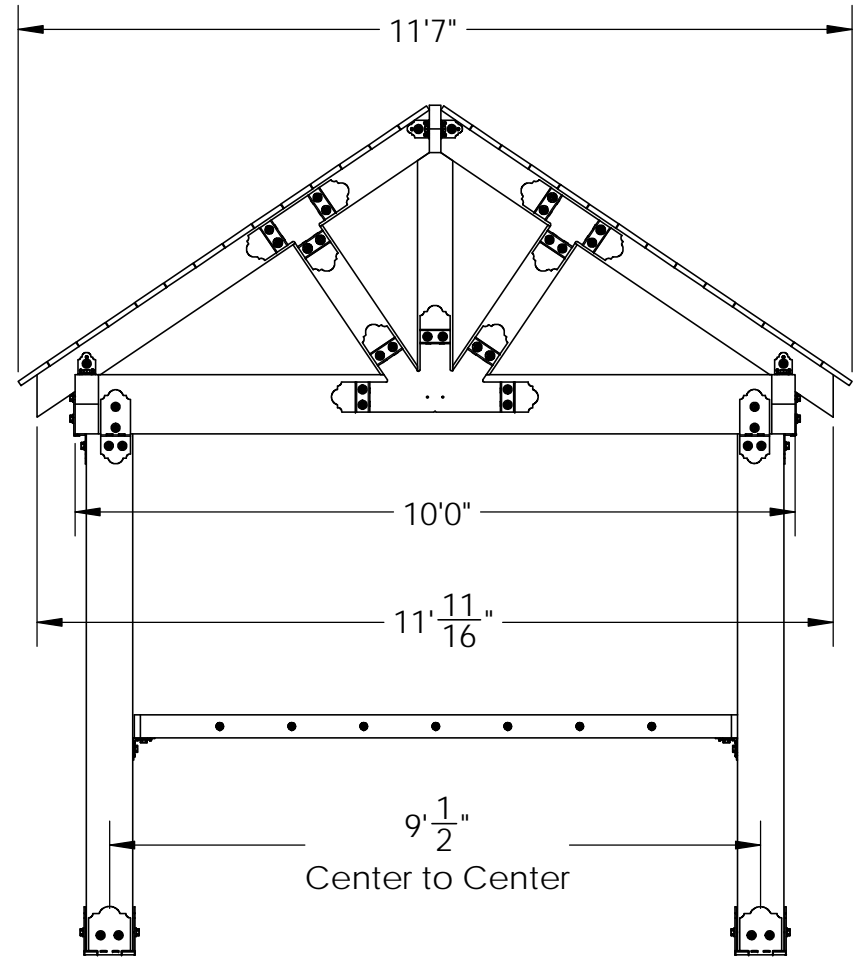
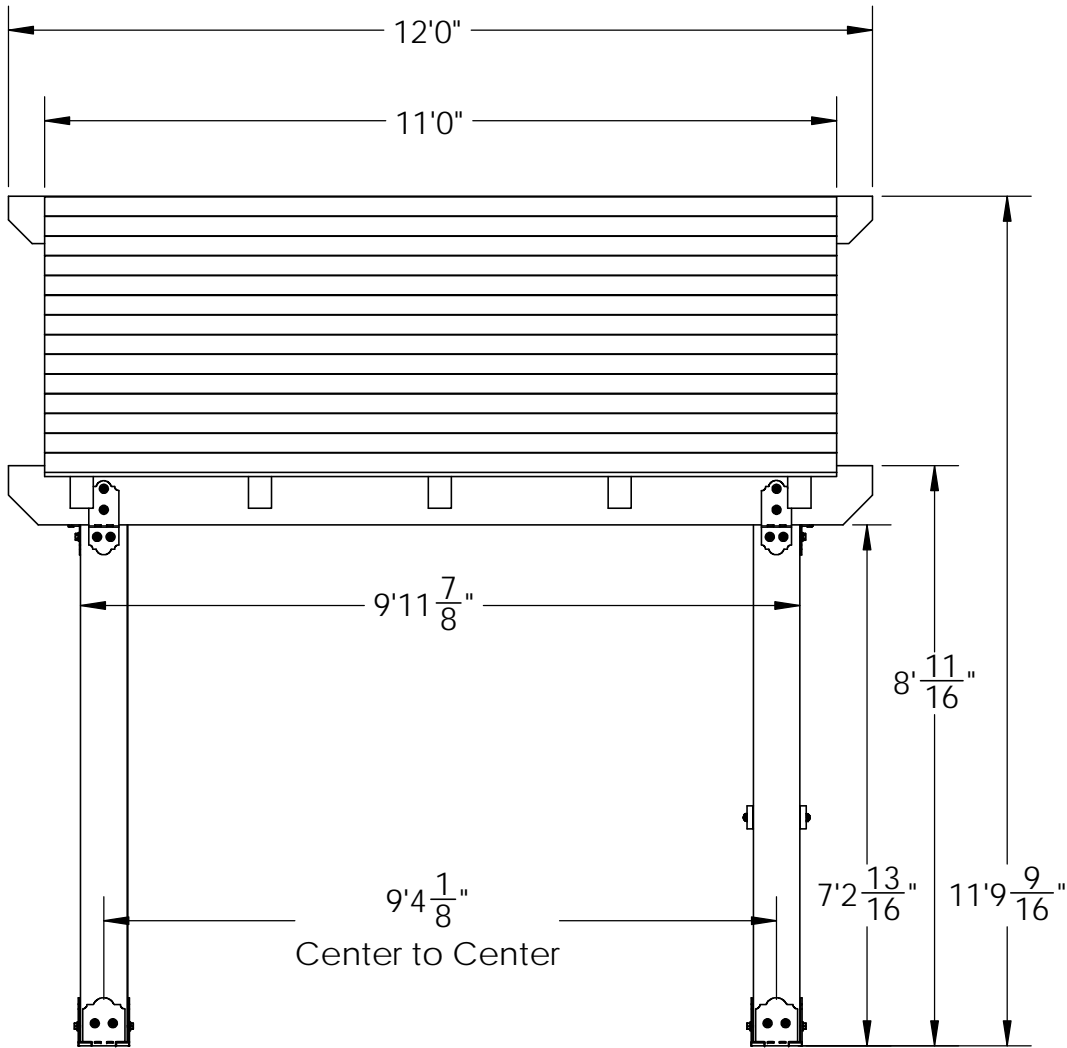
OZCO Project #210 Wood Post & Beam Pavilion Free Standing



OZCO BUILDING PRODUCTS ■■■

OZCO Project #210 - Wood Post & Beam Pavilion - Free Standing

V2.00 - Installation Instructions, Specifications and Project Plans are effective 6/16/2017 . This information is updated periodically and should not be relied upon after 2 years from 6/16/2017 . Please visit OZCOBP.com to get current information.



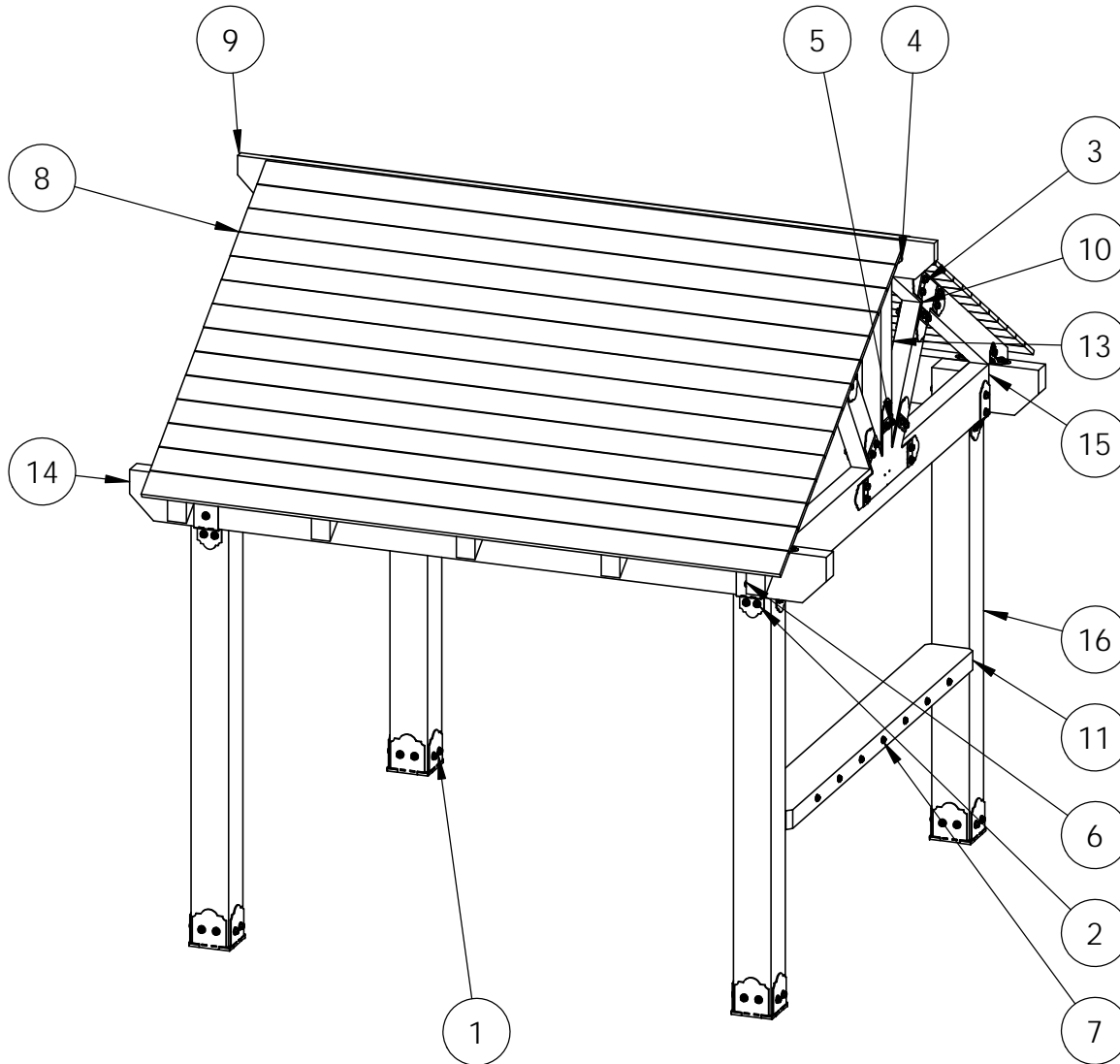
Overview

OZCO Project #210 - Wood Post & Beam Pavilion - Free Standing



Translucent

OZCO Project #210 - Wood Post & Beam Pavilion - Free Standing



ITEM NO.	QTY.	PART NUMBER	DESCRIPTION
1	4	56609	8x8 Post Base (8x8-PB-LS)
2	4	56636	Post to Beam Bolt Offset (P2B-BO-LS)
3	4	56612	"T" Tie Plate (TTP)
	12	56611	Truss Accent (TA-LS)
	2	56625	Screw, OWT 1-3/4" (45mm) Timber
4	5	56618	4" Standard Rafter Clips (RC-LS-4)
5	4	56619	Truss Base Fan 8:12
	10	56611	Truss Accent (TA-LS)
	2	56625	Screw, OWT 1-3/4" (45mm) Timber
6	8	56651	OWT Timber Bolt 8-10"
7	1	56622	1-1/4" Hammered Dome Cap (DCN)
	-	56625	OWT Timber Screw 1-3/4"
8	28	1x6 Cedar Board	1x6x11'0"
9	1	2x8 Cedar Board	2x8x12'0"
10	4	4x6 Cedar Board	4x6x3'0"
11	1	4x10 Cedar Board	4x10x8'4 1/2"
12	10	4x6 Cedar Board	4x6x7'0"
13	2	4x6 Cedar Board	4x6x3'1"
14	2	4x10 Cedar Board	4x10x12'0"
15	2	4x10 Cedar Board	4x10x9'4 1/4"
16	4	8x8 Cedar Post	8x8x8'0"

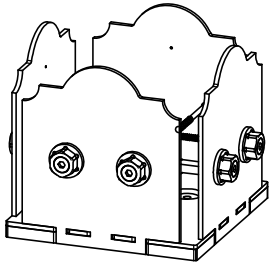
Bill of Material

OZCO Project #210 - Wood Post & Beam Pavilion - Free Standing

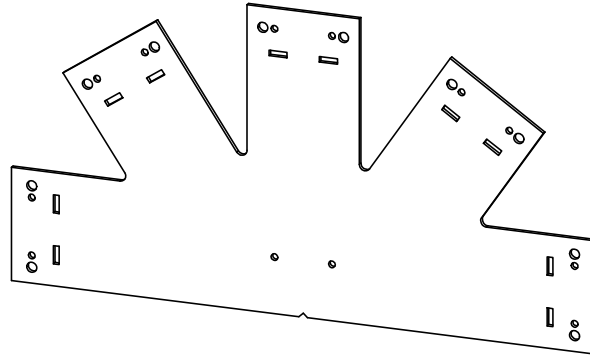
V2.00 - Installation Instructions, Specifications and Project Plans are effective 6/16/2017. This information is updated periodically and should not be relied upon after 2 years from 6/16/2017. Please visit OZCOBP.com to get current information.

QTY.	PART NUMBER	DESCRIPTION
4	56609	8x8 Post Base (8x8-PB-LS)
2	56636	Post to Beam Bolt Offset (P2B-BO-LS)
4	56612	"T" Tie Plate (TTP)
22	56611	Truss Accent (TA-LS)
4	56625	OWT Timber Screw 1-3/4"
5	56618	4" Standard Rafter Clip (RC-LS-4)
2	56636	Post to Beam Bolt Offset (P2B-BO-LS)
4	56619	Truss Base Fan 8:12
8	56651	OWT Timber Bolt 8-10"
1	56622	1-1/4" Hammered Dome Cap Nut
28	1x6x12L	1x6x12
1	2x8x12L	2x8x12
1	4x6x12L	4x6x12
3	4x10x10L	4x10x10
11	4x6x8L	4x6x8
2	4x10x12L	4x10x12
4	8x8x8L	8x8x8

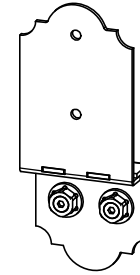
Material List



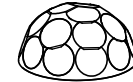
56609



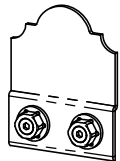
56619



56636



56622



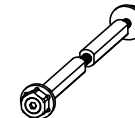
56611



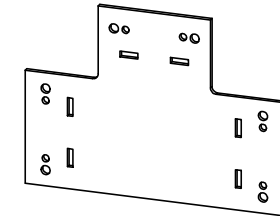
56618



56625



56651



56612



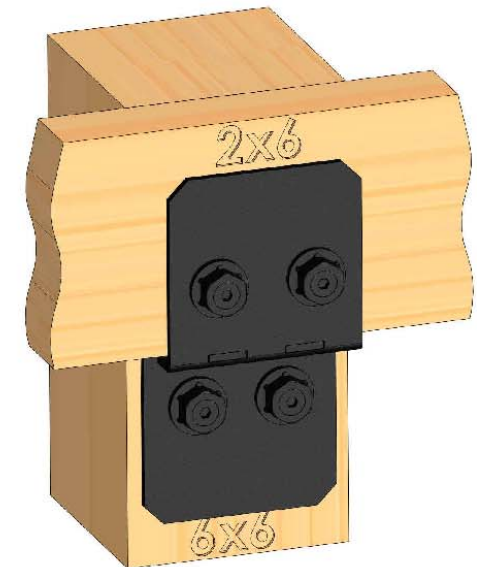
Laredo Sunset & Ironwood



Laredo Sunset
(566XX series)

2 great styles
Same functionality
choose your
connection lifestyle

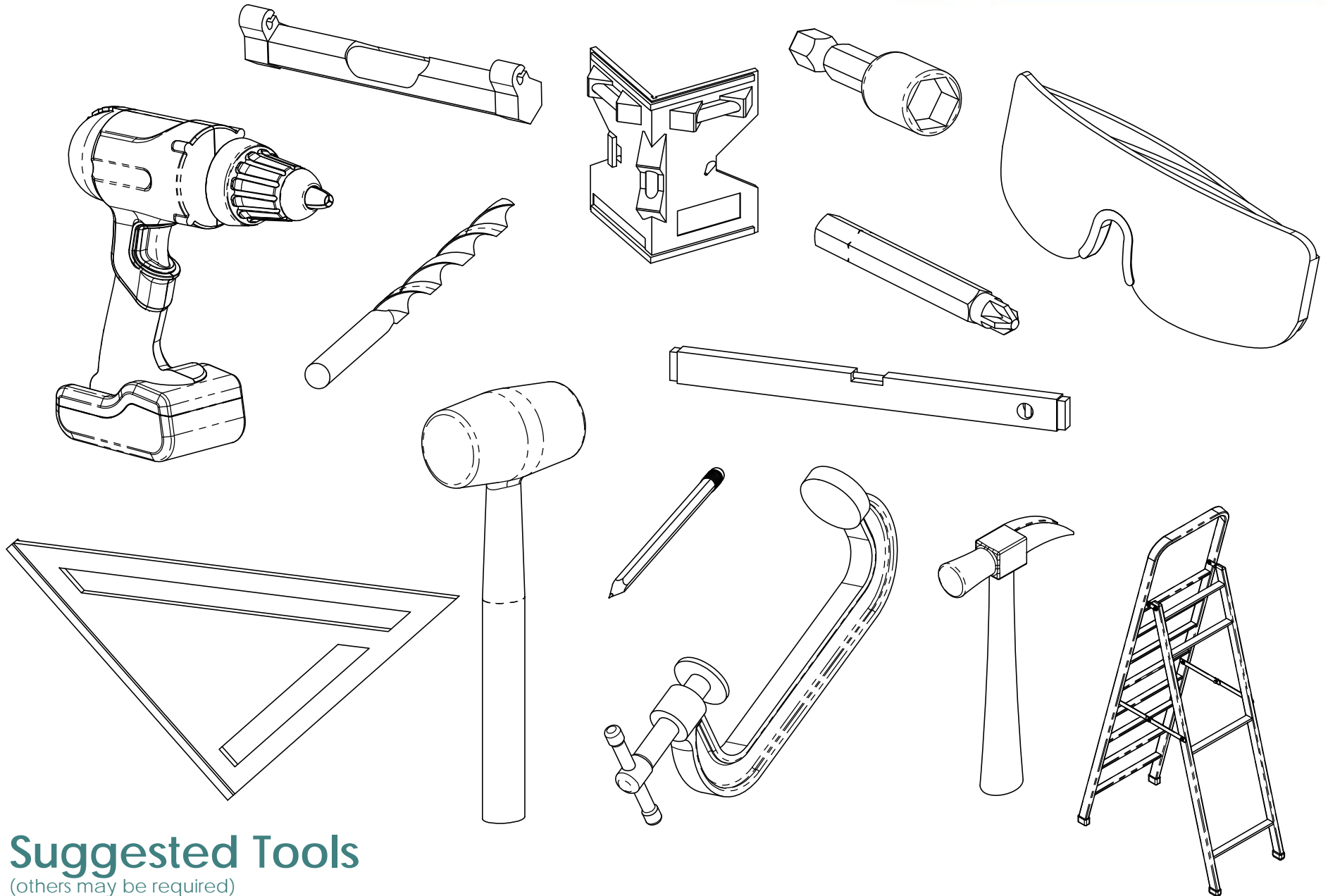
both styles available for
most products



Ironwood
(517XX series)



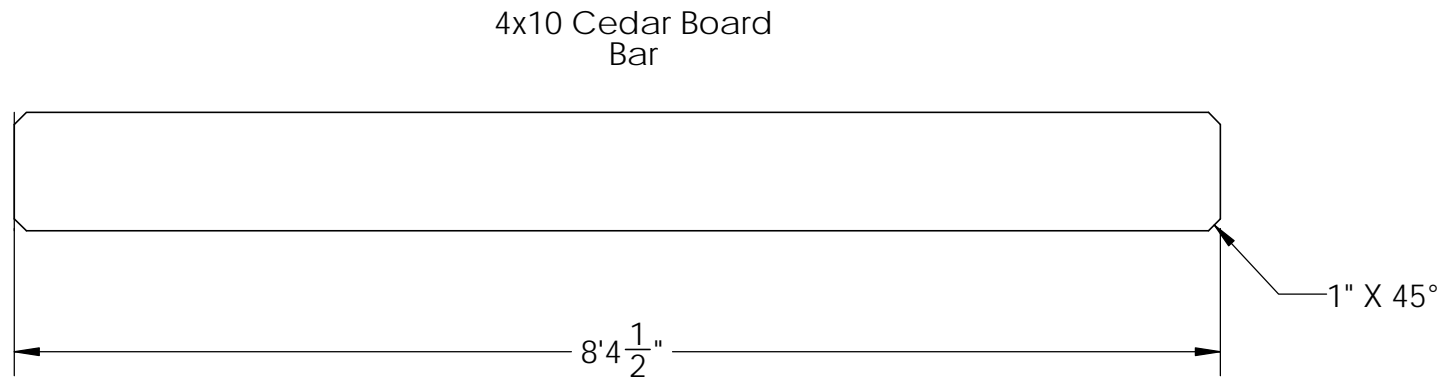
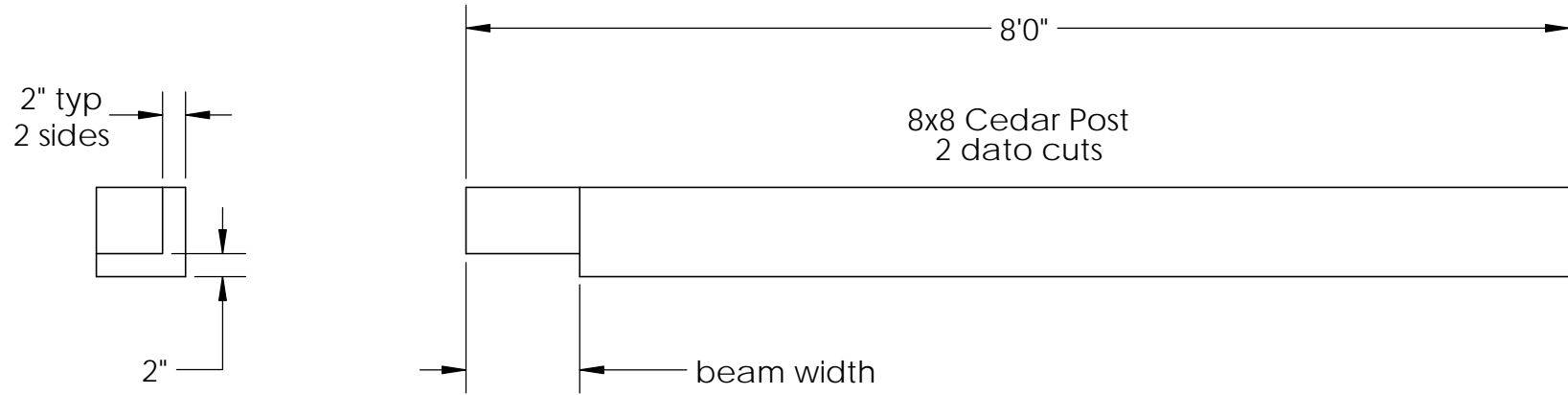
OZCO BUILDING PRODUCTS ■■■



Suggested Tools

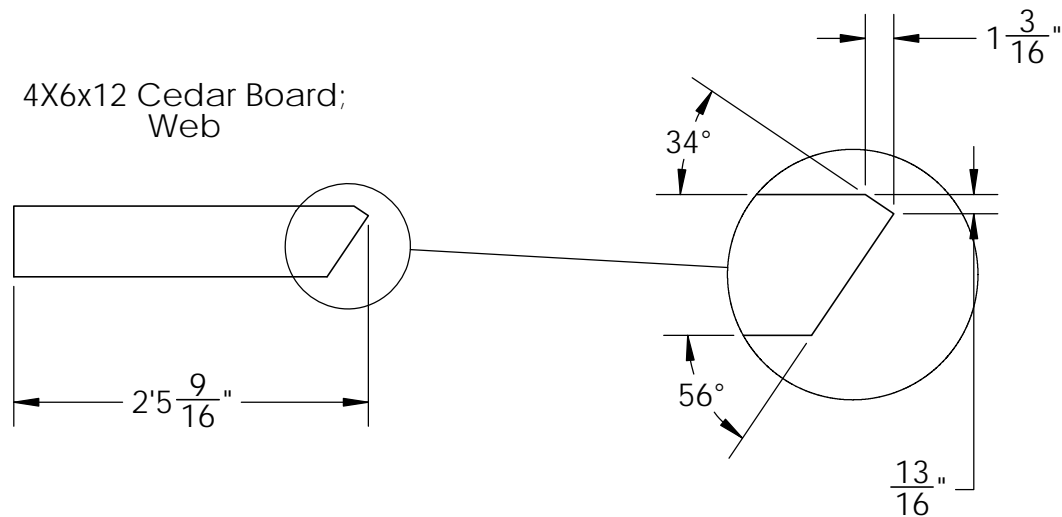
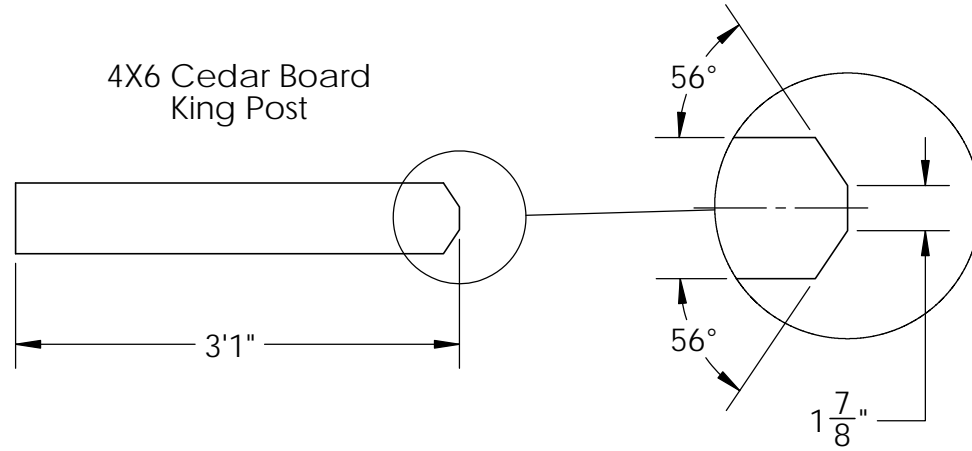
(others may be required)

OZCO Project #210 - Wood Post & Beam Pavilion - Free Standing



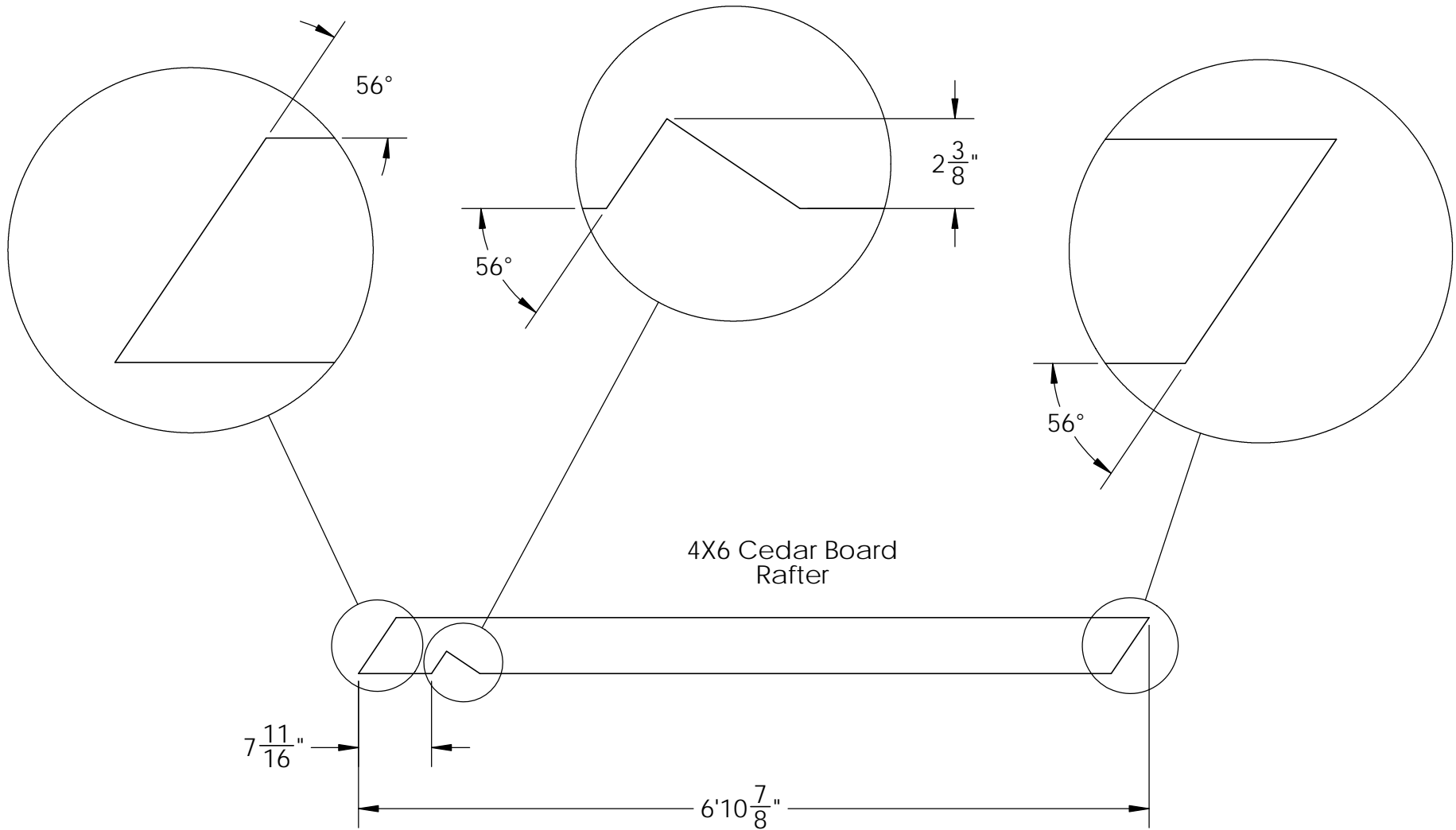
Cutlist1

OZCO Project #210 - Wood Post & Beam Pavilion - Free Standing



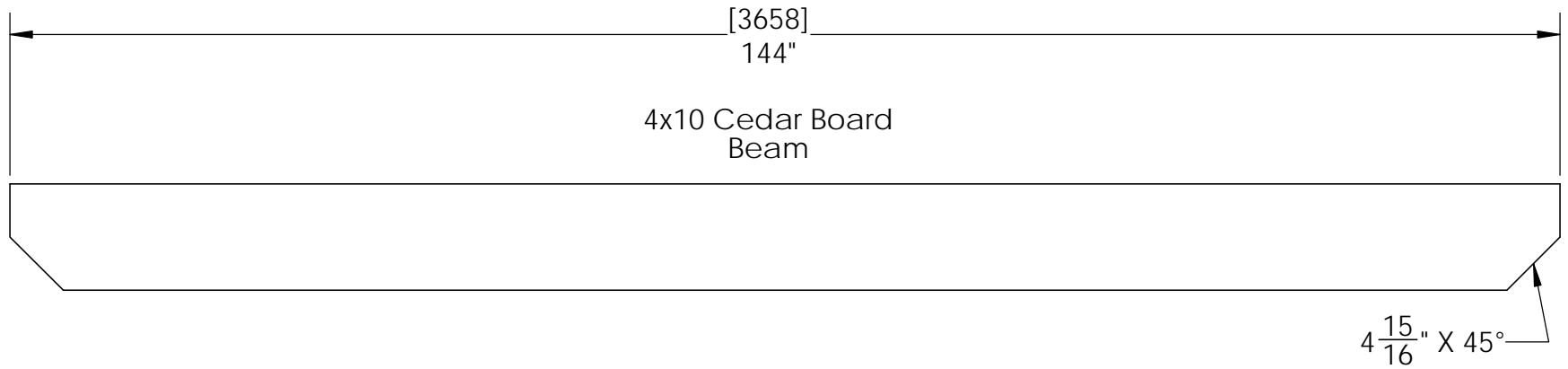
Cutlist2

OZCO Project #210 - Wood Post & Beam Pavilion - Free Standing



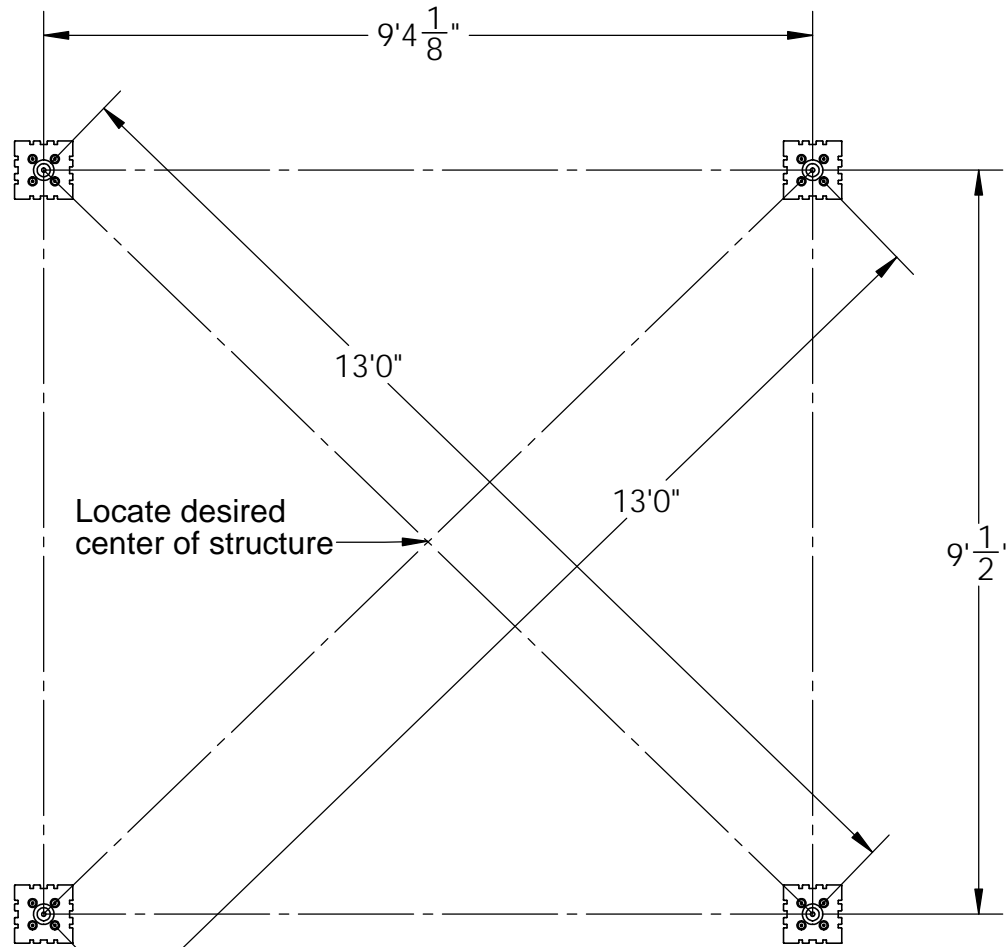
Cutlist3

OZCO Project #210 - Wood Post & Beam Pavilion - Free Standing



Cutlist4

OZCO Project #210 - Wood Post & Beam Pavilion - Free Standing

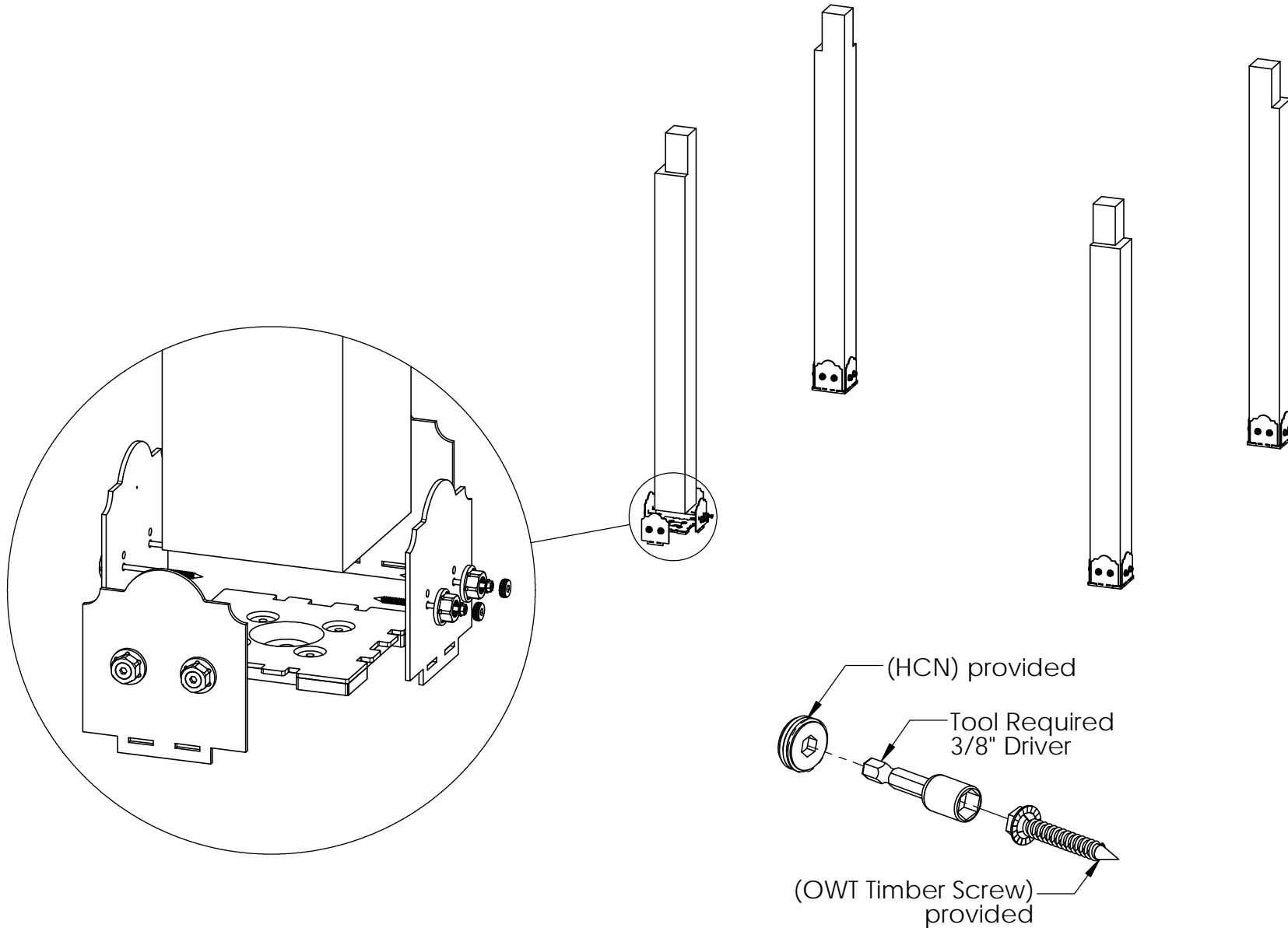


if site is not level,
see Ozco Site Leveling instruction



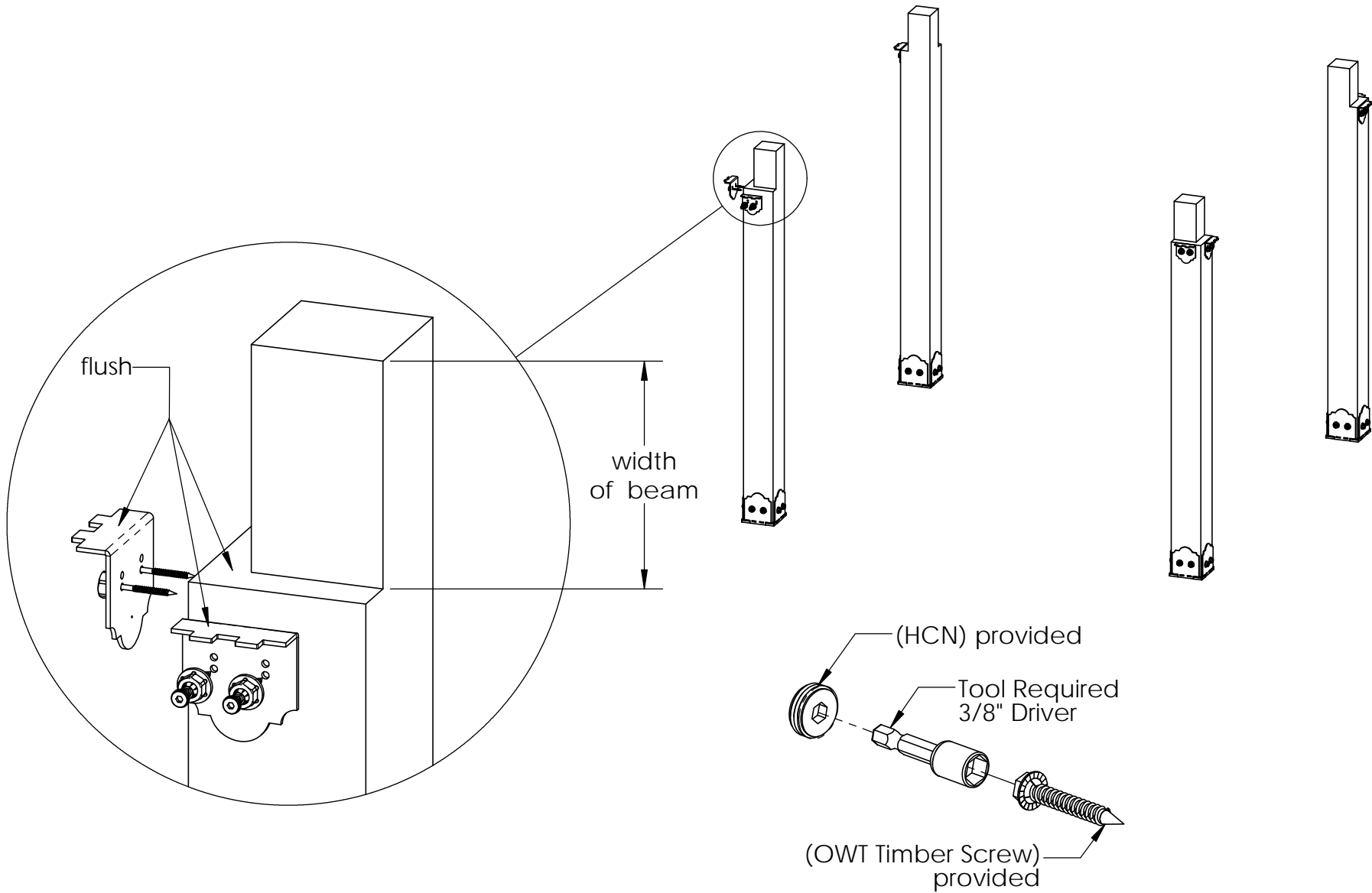
site plan

OZCO Project #210 - Wood Post & Beam Pavilion - Free Standing



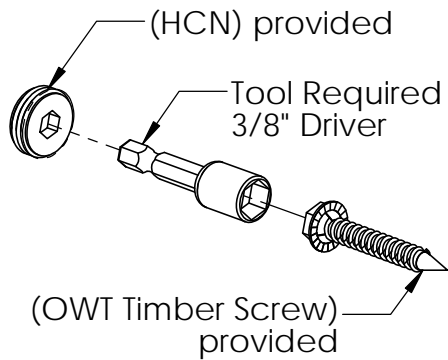
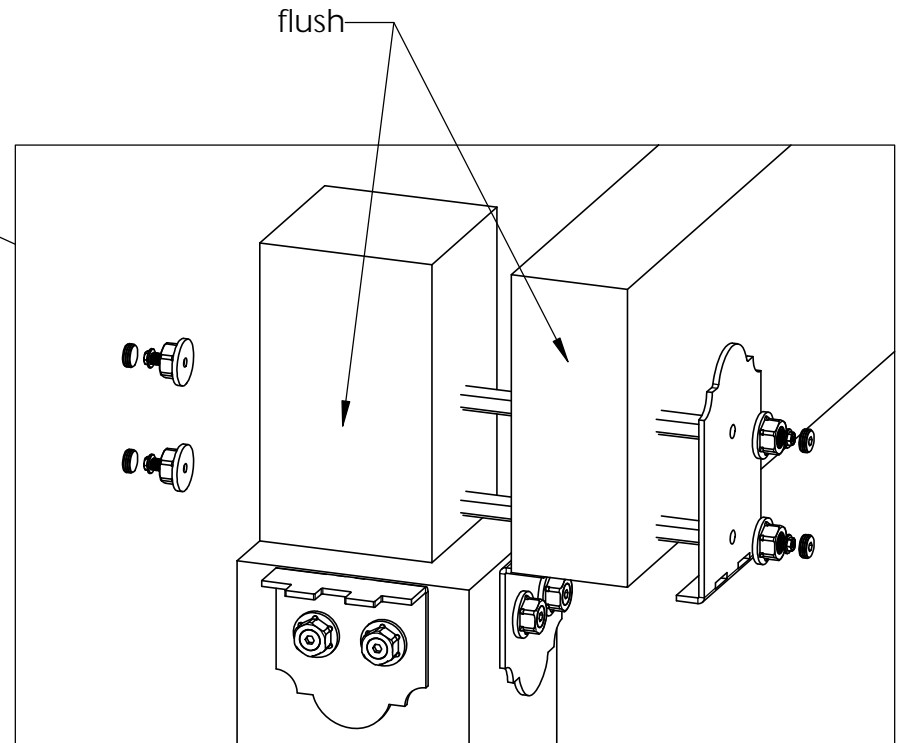
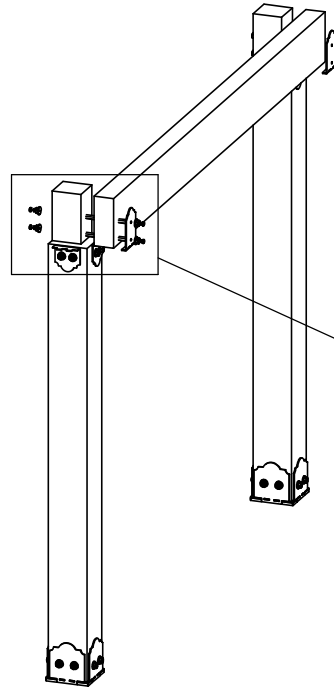
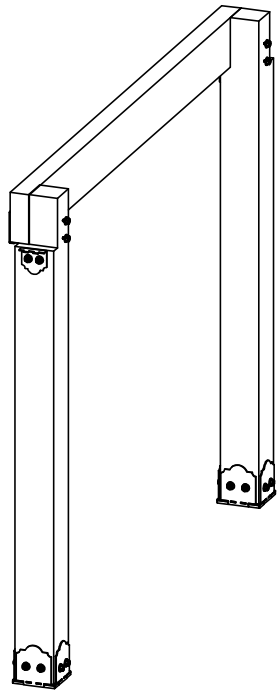
step 1

OZCO Project #210 - Wood Post & Beam Pavilion - Free Standing



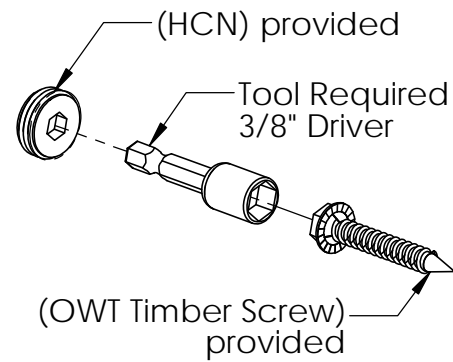
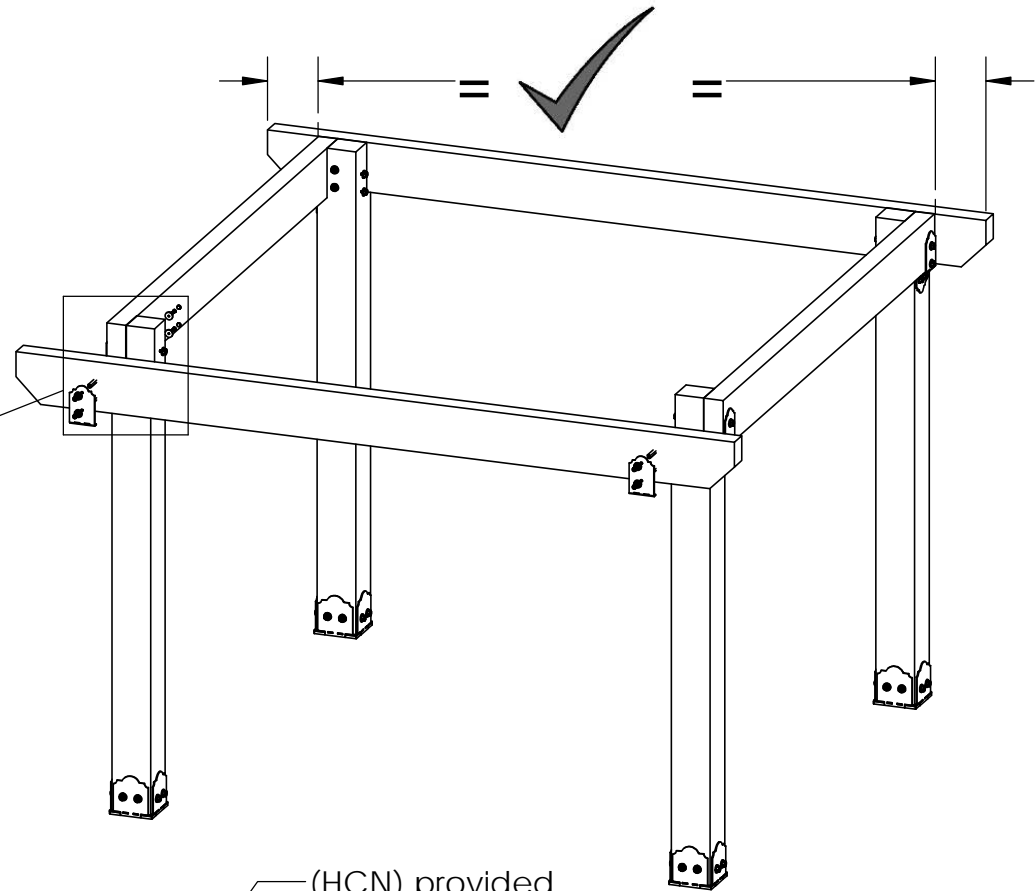
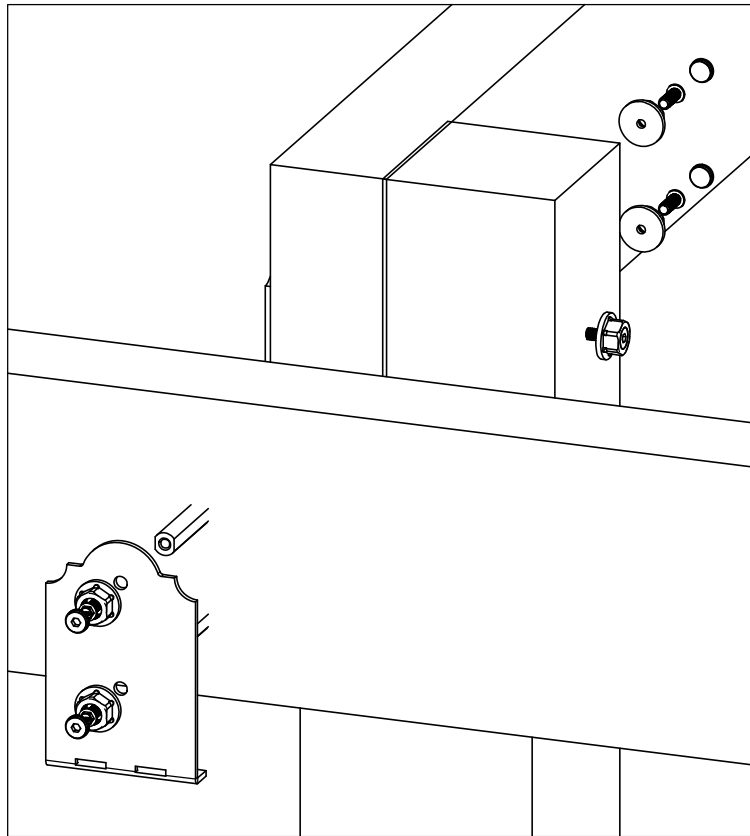
step 2

OZCO Project #210 - Wood Post & Beam Pavilion - Free Standing



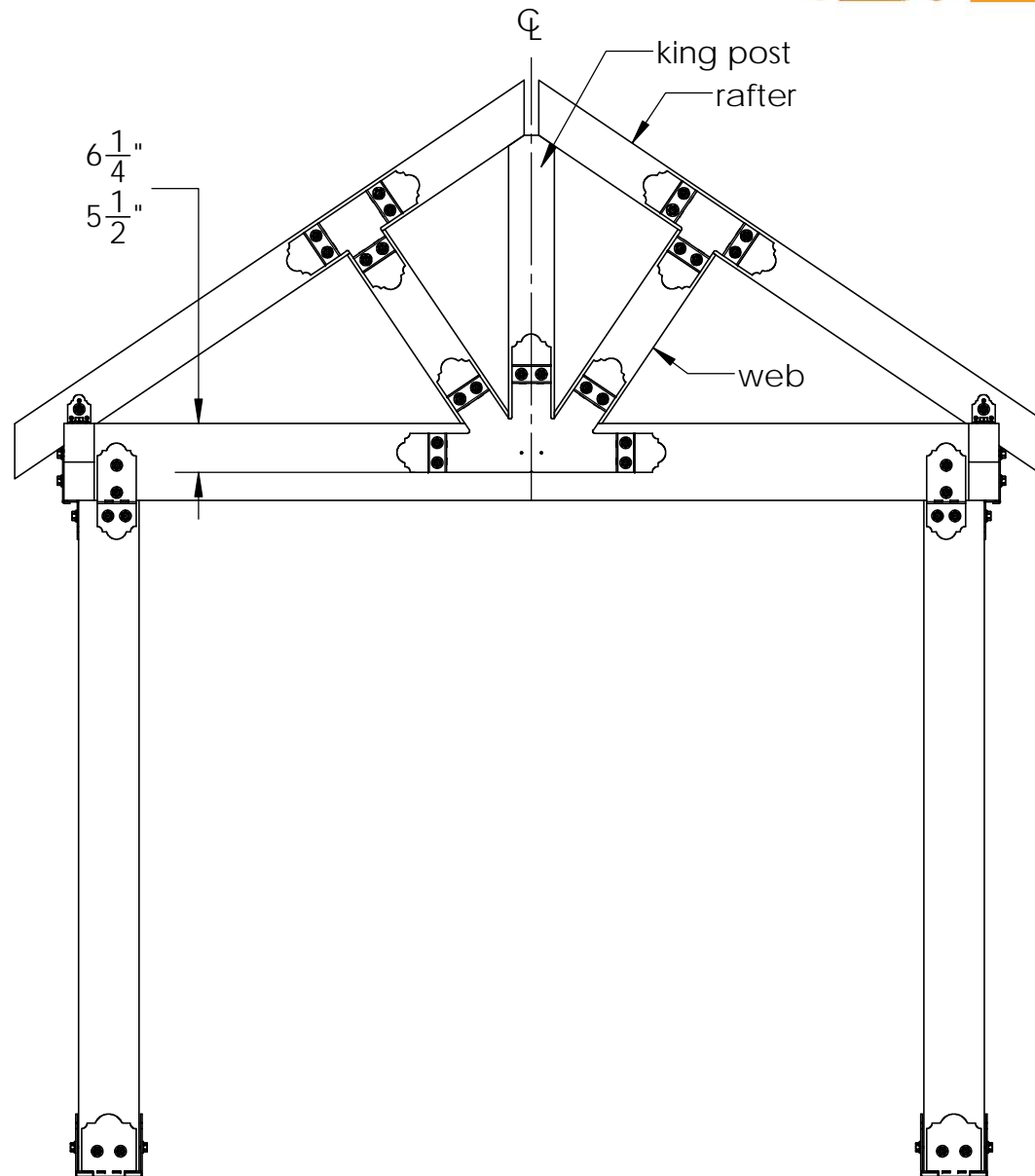
step 3

OZCO Project #210 - Wood Post & Beam Pavilion - Free Standing



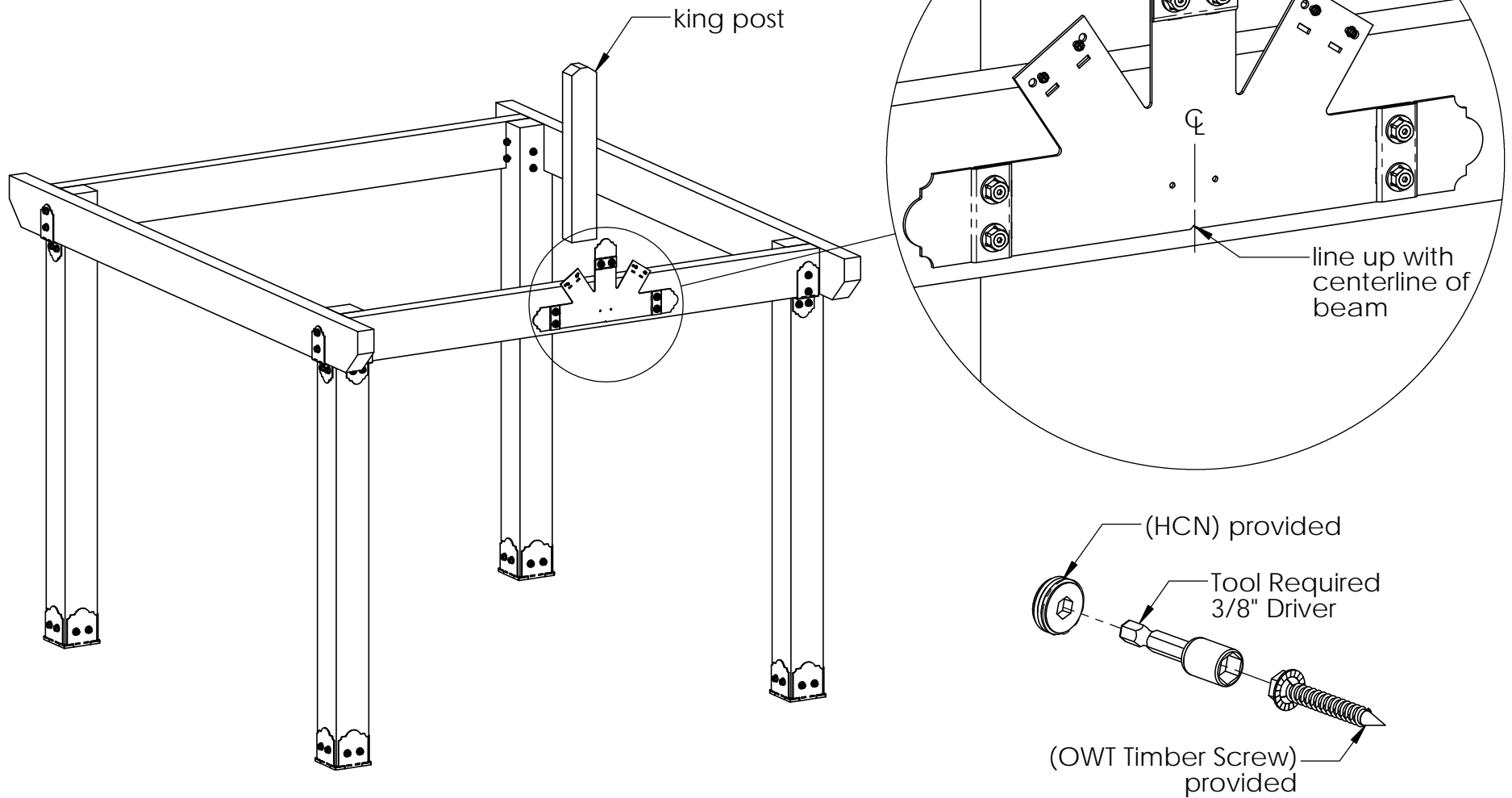
step 4

OZCO Project #210 - Wood Post & Beam Pavilion - Free Standing



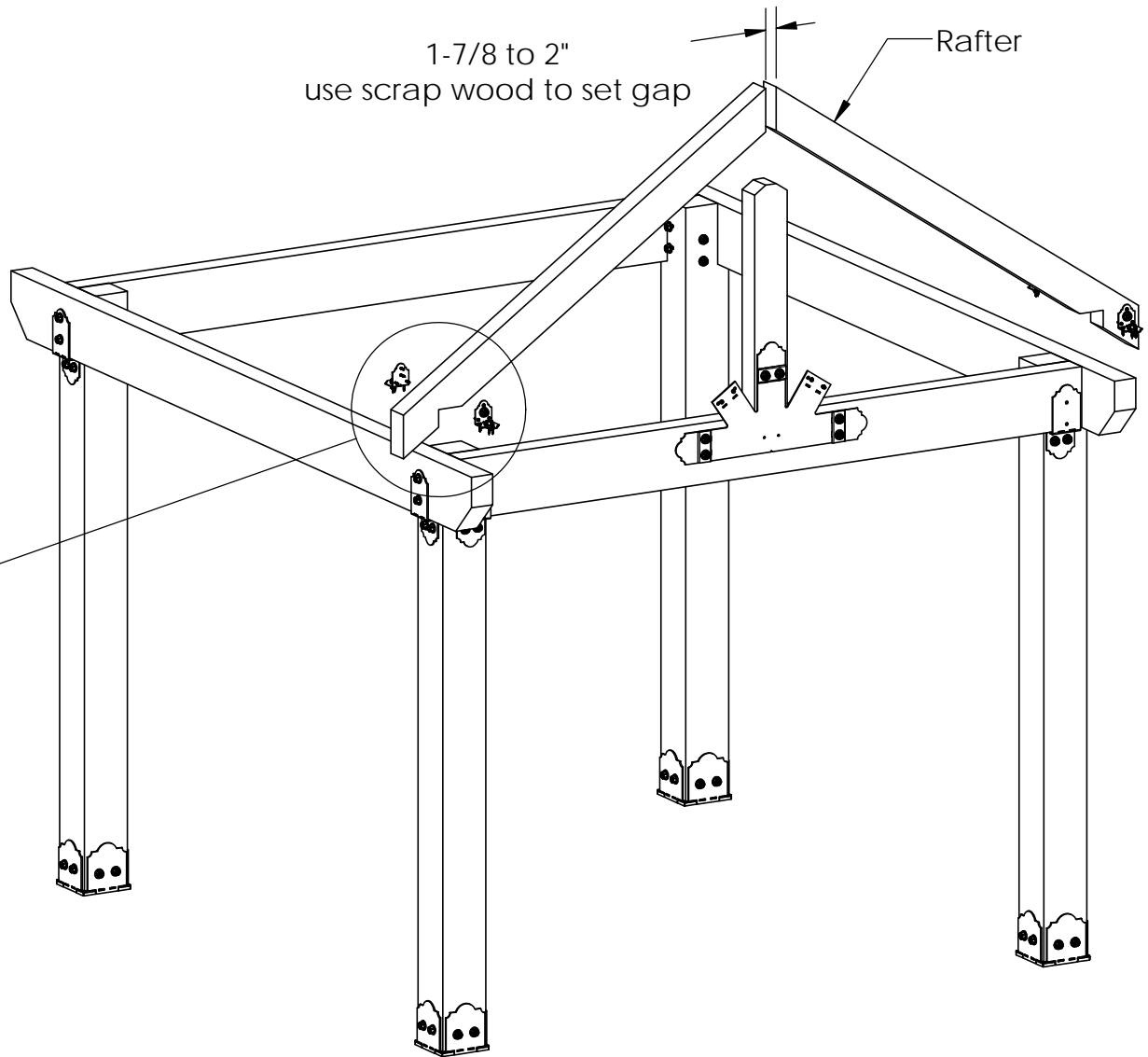
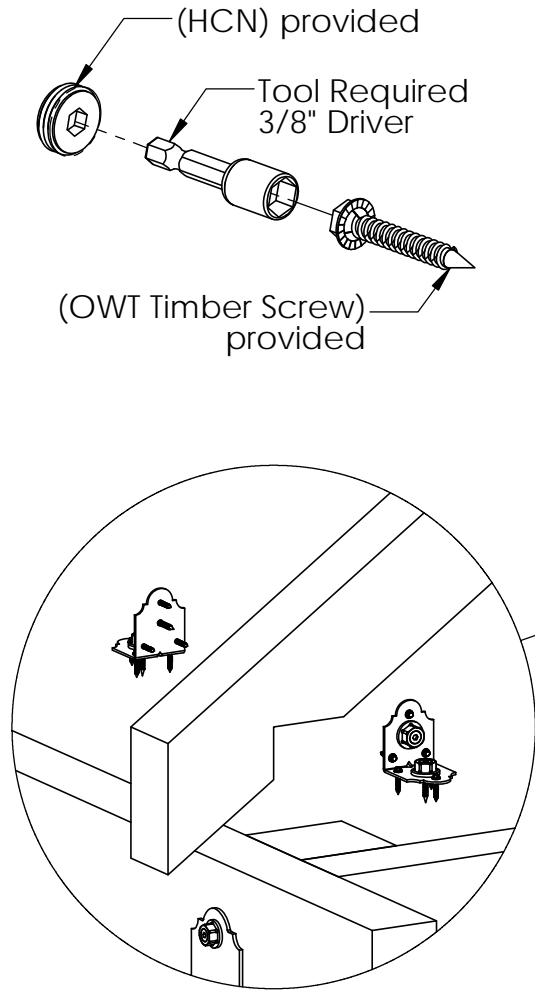
step 5 Truss Overview

OZCO Project #210 - Wood Post & Beam Pavilion - Free Standing



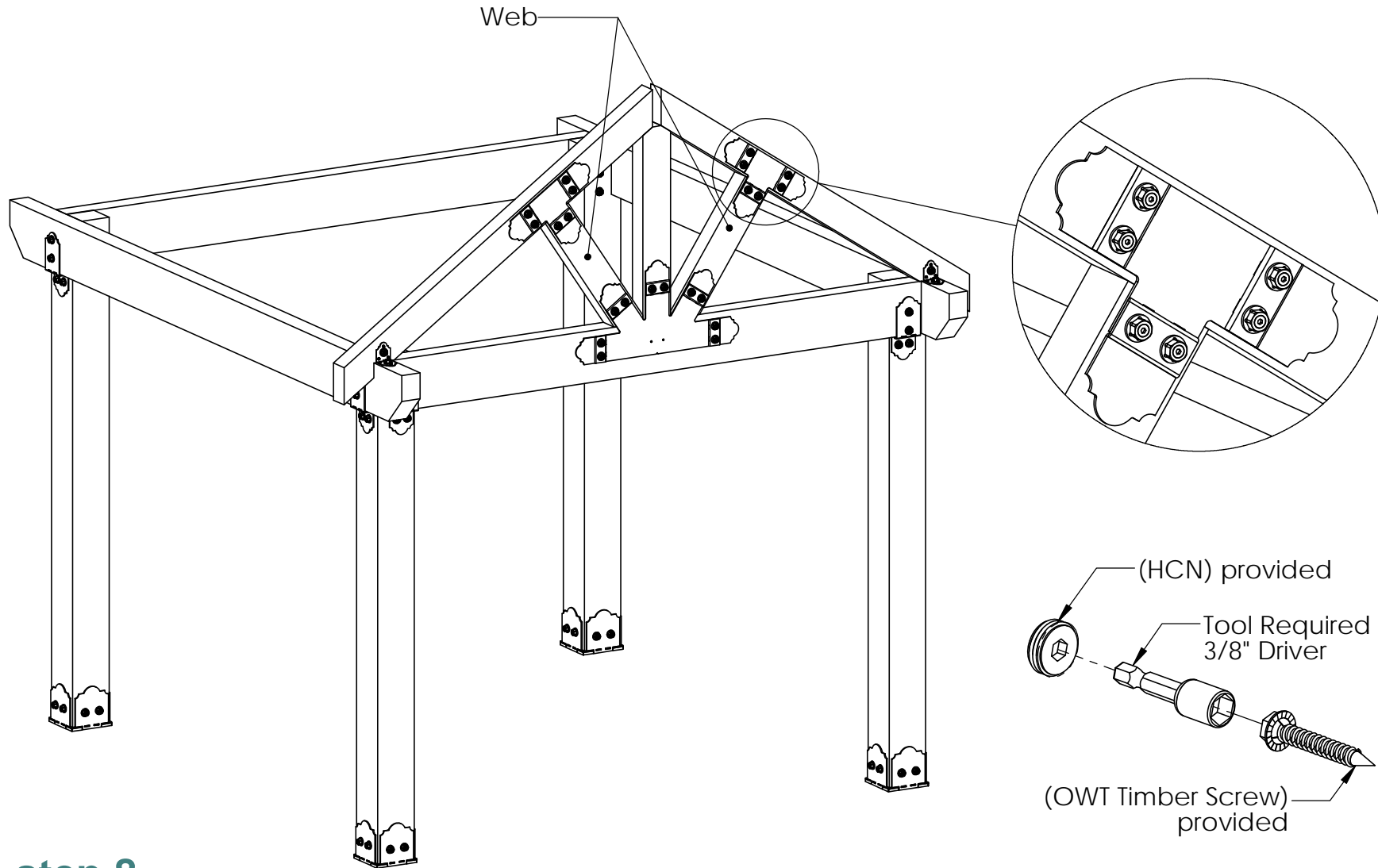
step 6

OZCO Project #210 - Wood Post & Beam Pavilion - Free Standing



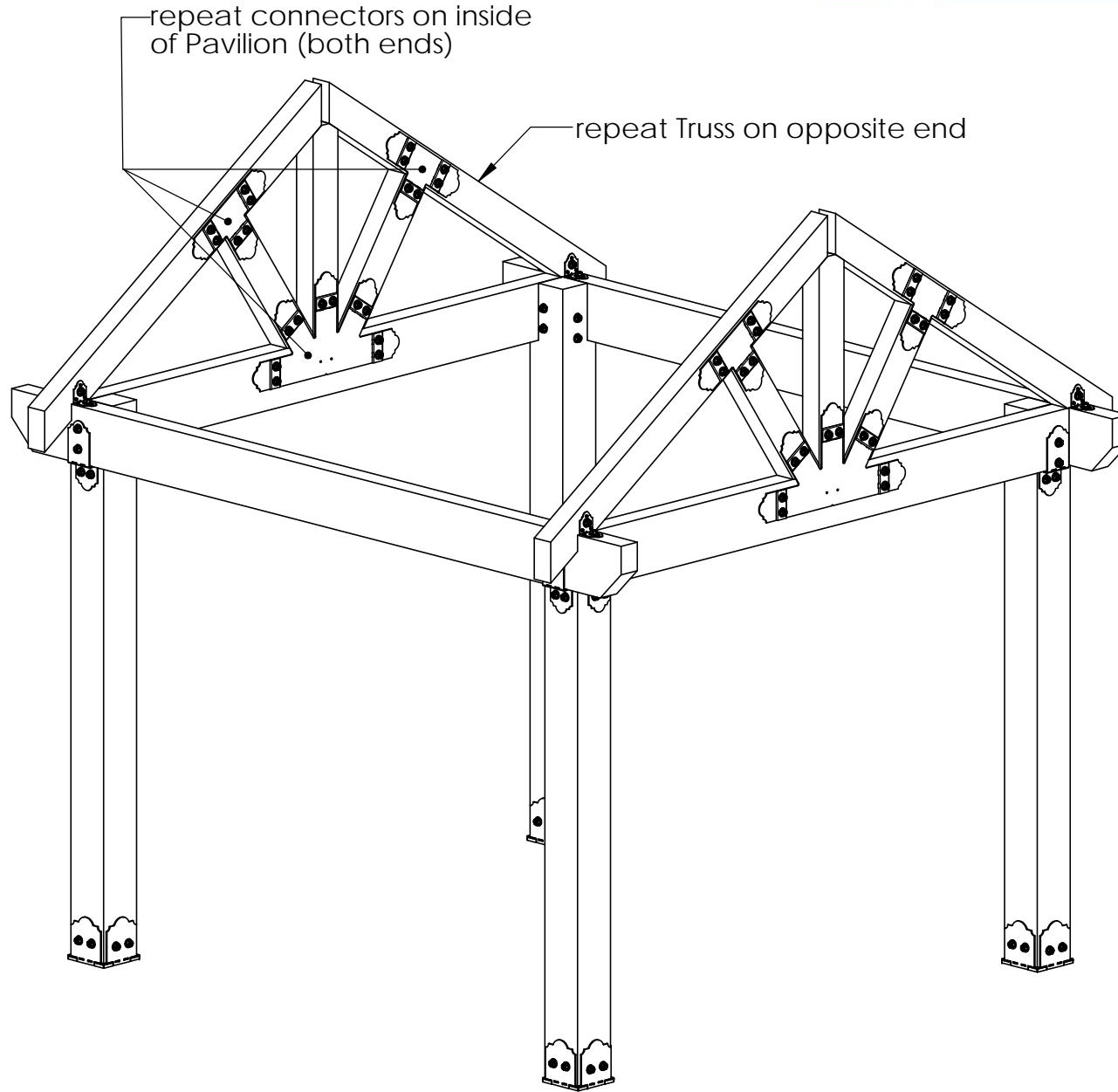
step 7

OZCO Project #210 - Wood Post & Beam Pavilion - Free Standing



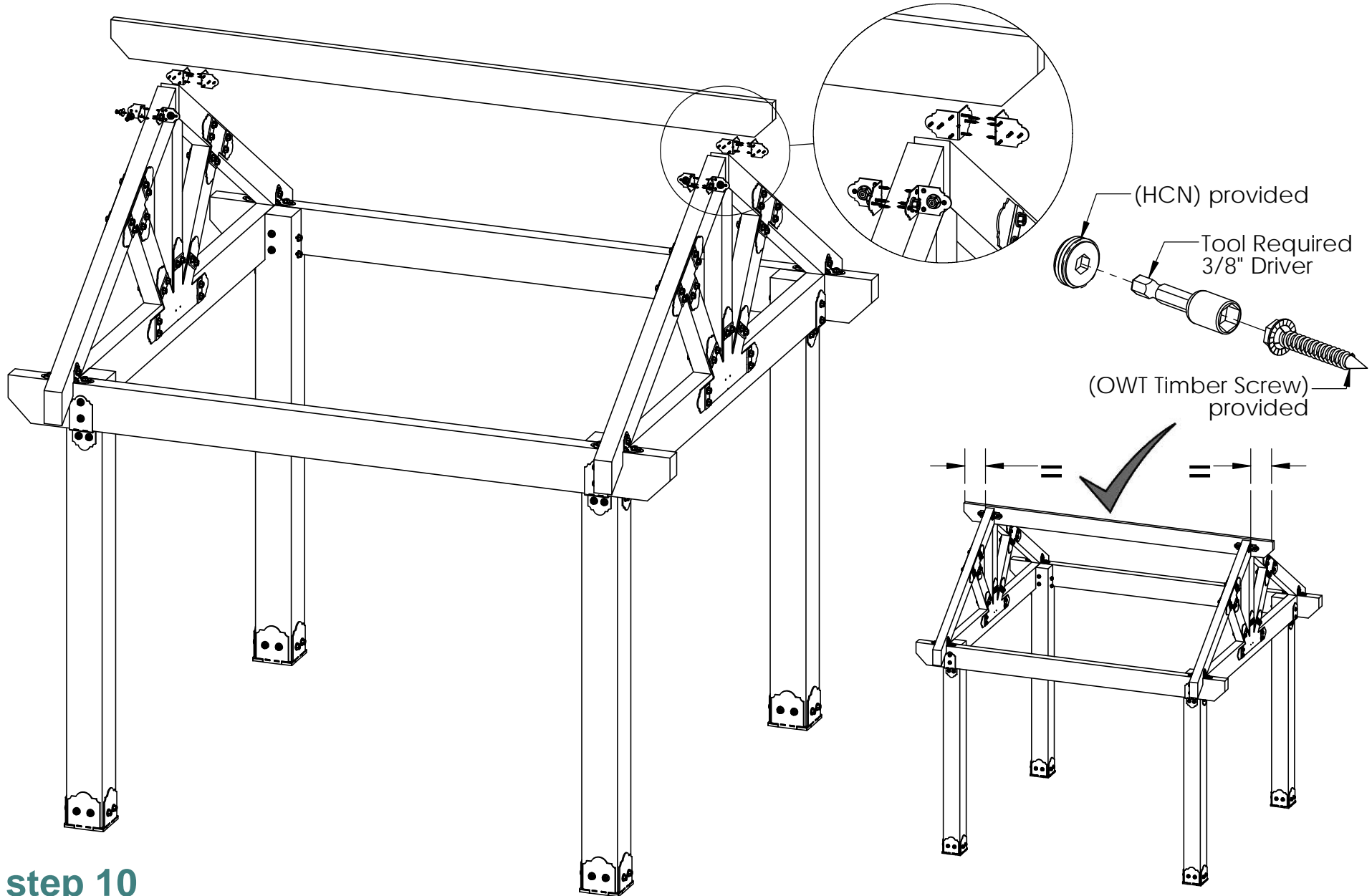
step 8

OZCO Project #210 - Wood Post & Beam Pavilion - Free Standing



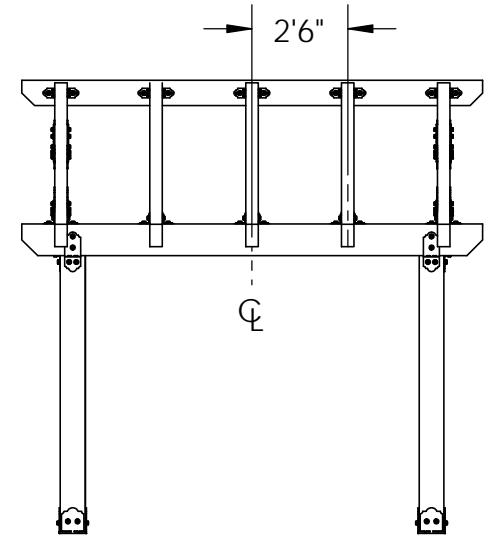
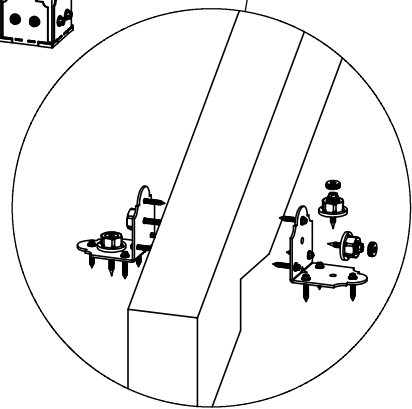
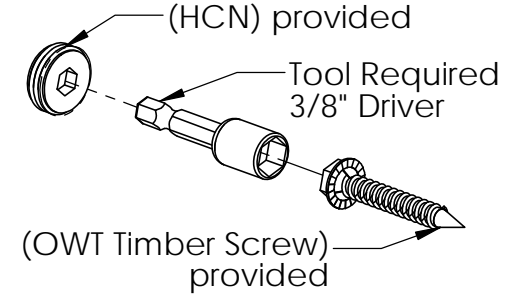
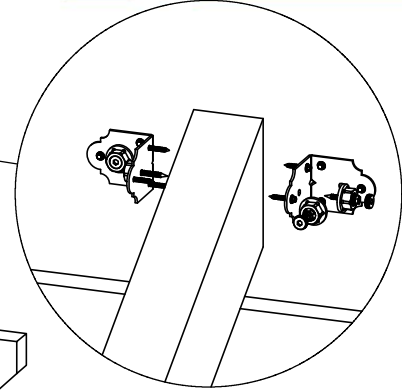
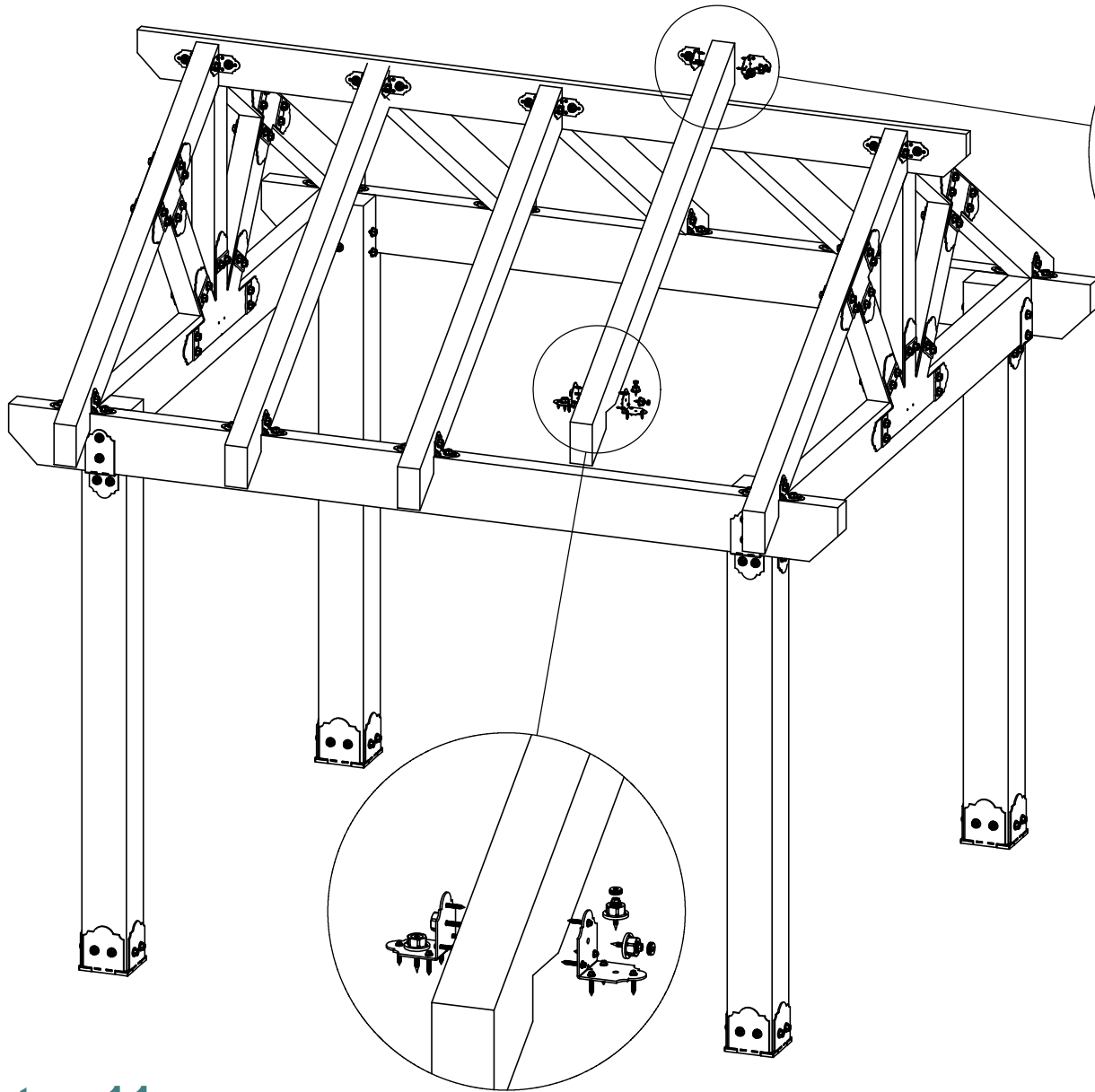
step 9

OZCO Project #210 - Wood Post & Beam
Pavilion - Free Standing



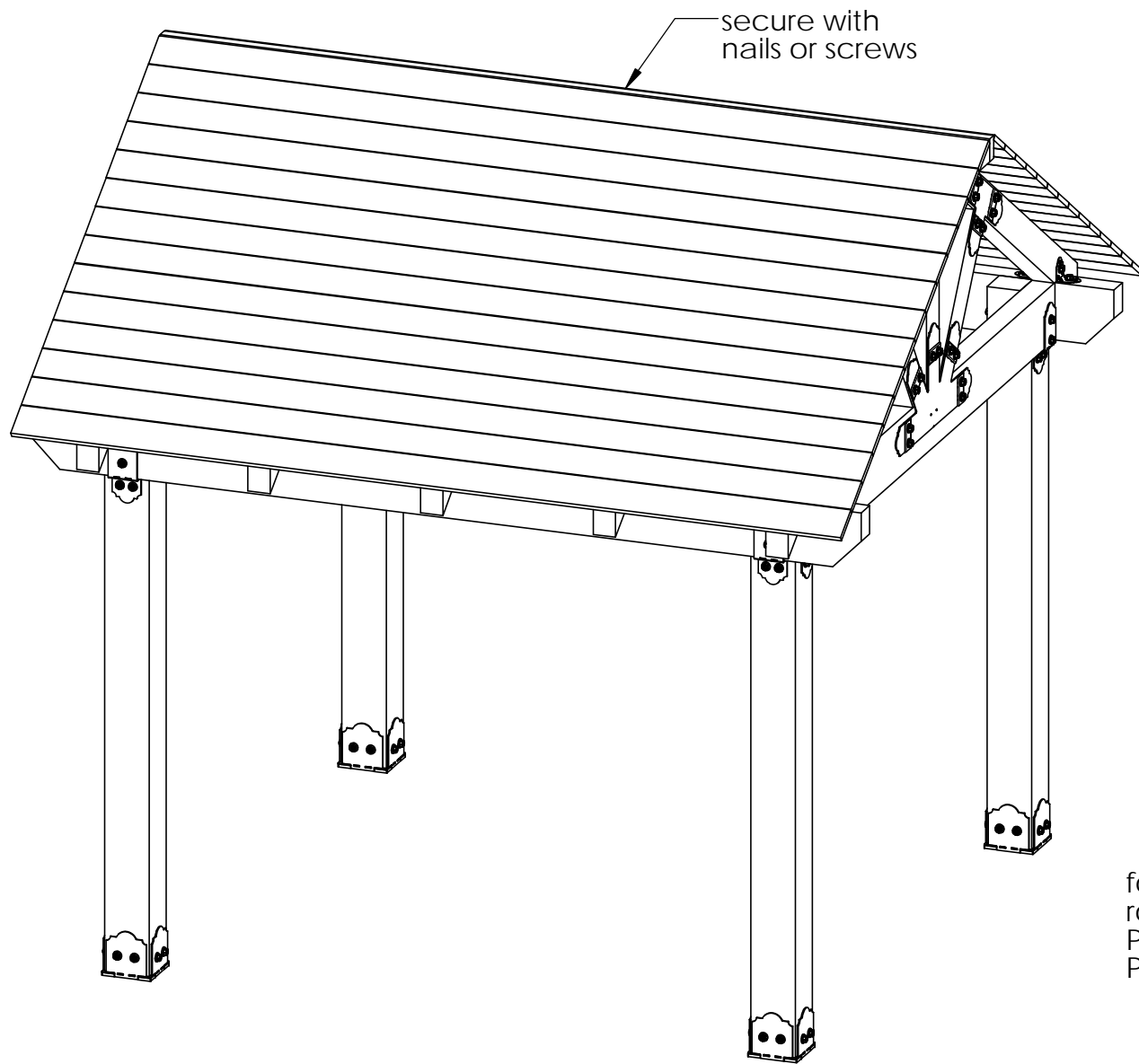
step 10

OZCO Project #210 - Wood Post & Beam Pavilion - Free Standing



step 11

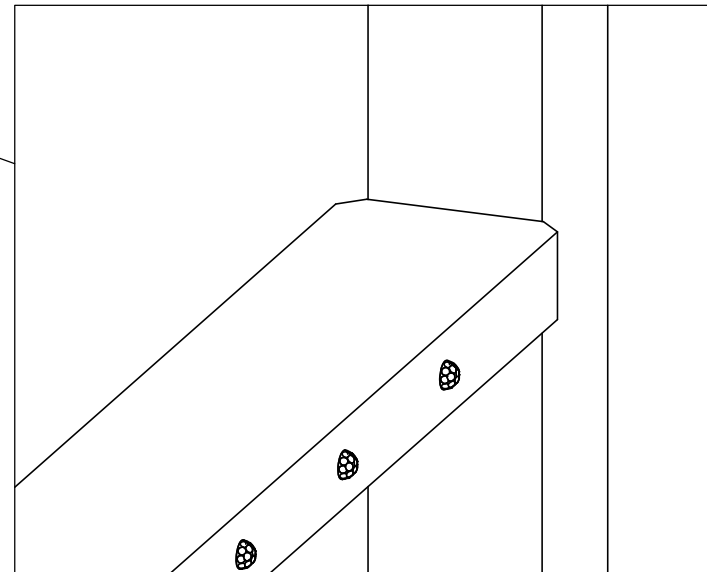
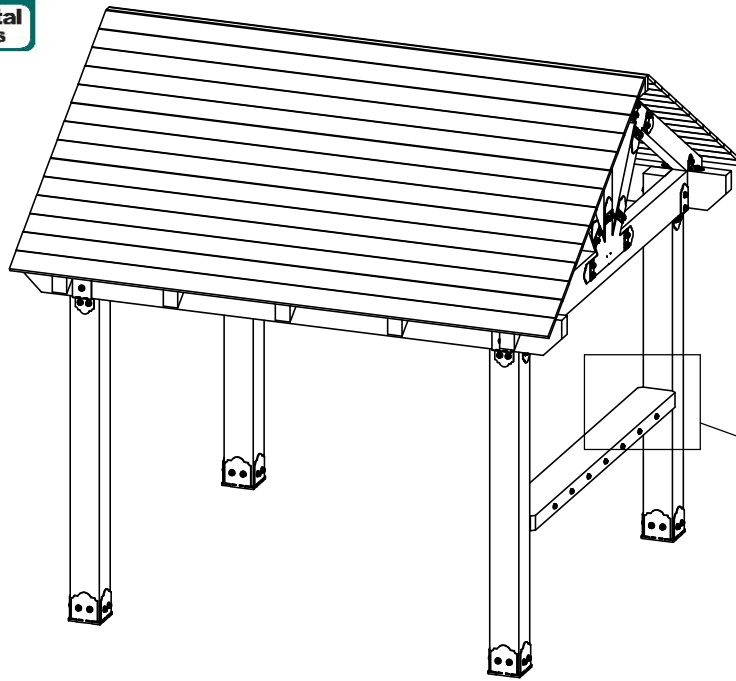
OZCO Project #210 - Wood Post & Beam Pavilion - Free Standing



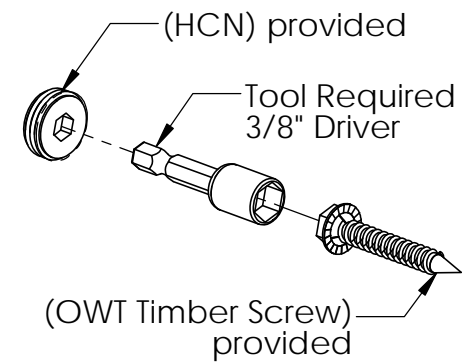
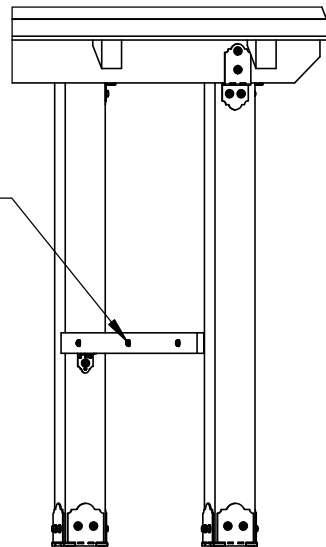
for additional
roofing, see OZCO
Project #339 - 10x10
Pavillion Roofing

step 12

OZCO Project #210 - Wood Post & Beam Pavilion - Free Standing



inside view
3 remaining
Dome Cap
Nuts



step 13

OZCO Project #210 - Wood Post & Beam Pavilion - Free Standing

QUICK VIEW PROJECT PLANS

Take a moment to let our Project Plan Bill of Materials and Photo Book fill you with inspiration.

Like a particular a project and want the detailed plans?

 [CLICK HERE TO VIEW OUR ENTIRE DETAILED PROJECT PLAN LIBRARY](#)

↓
SEE MORE ⁴

OZCO PERGOLA VARIATIONS



CHOOSE FROM OUR VAST LIBRARY OF QUICK BILL OF MATERIALS TO FULL PROJECT PLANS, THOUSANDS OF PICTURES, VIDEOS, SPECS AND GUIDES!

OZCObp.com

OZCO BUILDING PRODUCTS

OZCO PROJECT #342
12X16' STRUCTURE WITH 6X6" POST
BILL OF MATERIALS

SCAN THE QR
FOR FULL STEP BY STEP
PROJECT PLANS
AT OZCObp.com









QTY	ITEM #	DESCRIPTION	QTY	ITEM #	DESCRIPTION
3	56606	6x6 Post Base Bolt (P24-12)	5	LUMBER	6x6x8
3	56617	2" Standard Rubber Strap (RC-15-2)	4	LUMBER	2x10x8
8	56651	3/4" x 6-1/2" QWT Timber Bolt	2	LUMBER	2x10x16
1	56677	8" Post to Beam Coupler (P28-8x12)	13	LUMBER	2x10x12
4	56637	Post to Beam Bolt Inlay (P28-8x12)	23	LUMBER	2x6x16

● Color indicates style shown in drawing & material list.
 PLEASE NOTE: All product styles can be inter-changed between
Laredo Sunset (S66) and **Ironwood (S17)** product numbers.

©2017 Project 88-016-000000 - Copyright 2017 This graphic is for inspiration only and may not be an exact representation of the product or project. All materials, finishes, notes, quantities are listed as packages.