

DESIGN

PURCHASE

CONSTRUCT

ENJOY

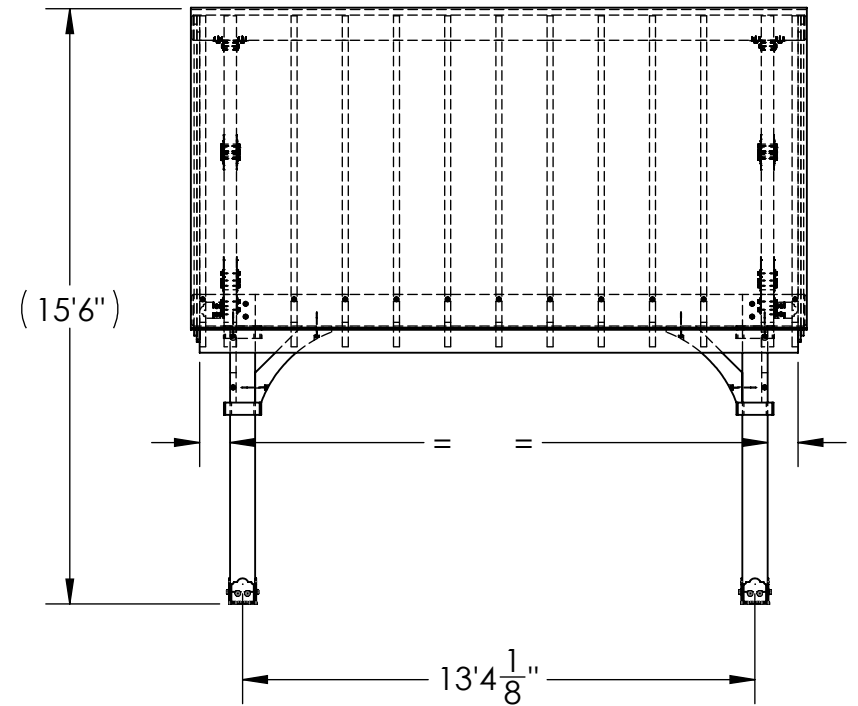
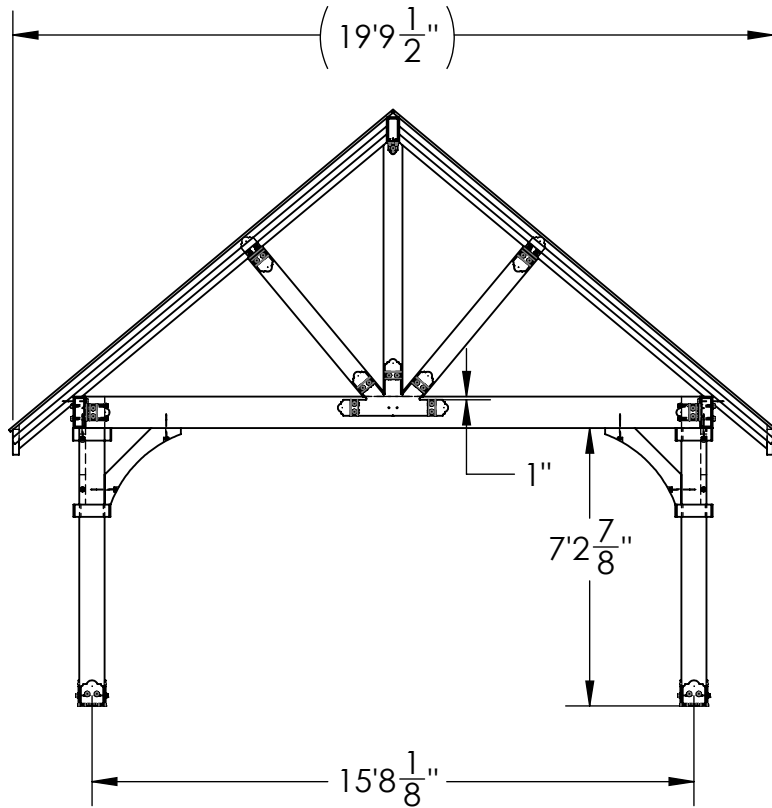
OZCO Project #212 - Pavilion Post and Beam – Free Standing



OZCO BUILDING PRODUCTS

OZCO Project #212 - Pavilion Post and Beam – Free Standing

V2.00 - Installation Instructions, Specifications and Project Plans are effective 11/10/2021 . This information is updated periodically and should not be relied upon after 2 years from 11/10/2021 . Please visit OZCOBP.com to get current information.]



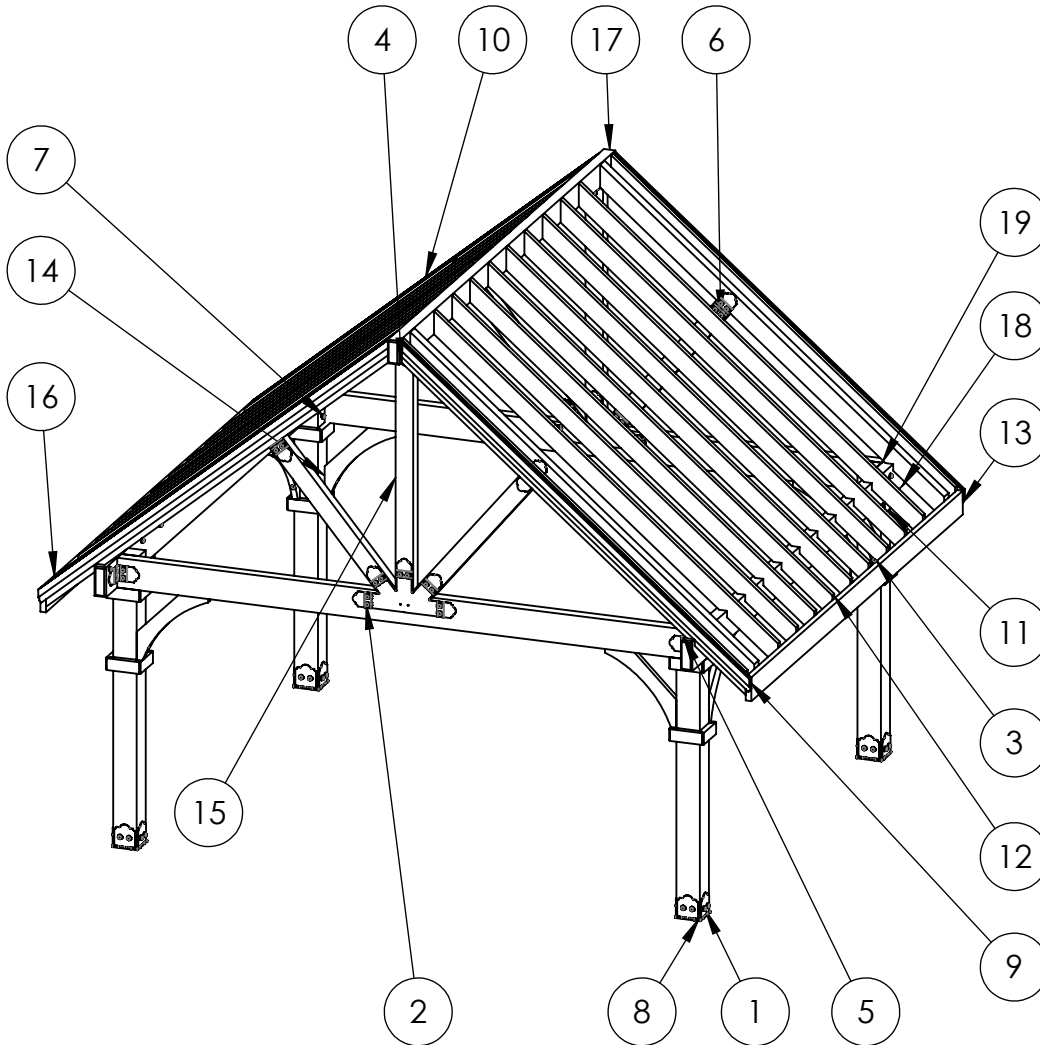
Overview

OZCO Project #212 - Pavilion Post and Beam – Free Standing



Translucent

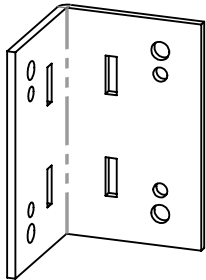
OZCO Project #212 - Pavilion Post and Beam – Free Standing



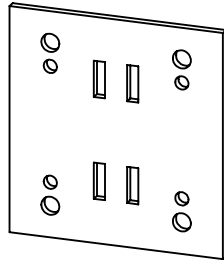
ITEM NO.	QTY.	PART NUMBER	DESCRIPTION
1	4	56609	8x8 Post Base (8x8-PB-LS)
2	4	56620	Truss Base Fan 10:12
	10	56611	Truss Accent (TA-LS)
	2	56625	Screw, OWT 1-3/4" (45mm) Timber
3	2	56629	Screw, OWT 7-1/2" (190mm) Timber with HCN
	4	56621	1 1/2" Hex Cap Nut (HCN)
4	1	56618	4" Standard Rafter Clips (RC-LS-4)
5	2	56615	Flush Inside 90
	4	56611	Truss Accent (TA-LS)
	1	56625	Screw, OWT 1-3/4" (45mm) Timber
6	4	56613	Butt Joint Flush (BJF)
	8	56611	Truss Accent (TA-LS)
	2	56625	Screw, OWT 1-3/4" (45mm) Timber
7	4	56651	OWT Timber Bolt 8-10"
8	4	8x8 Cedar Post	8x8
9	4	1x2 Cedar Board	1x2
10	4	1x4 Cedar Board	1x4
11	32	2x4 Cedar Board	2x4
12	22	2x6 Cedar Board	2x6
13	2	2x8 Cedar Board	2x8
14	8	2x8 Cedar Board	2x8
15	6	4x6 Cedar Board	4x6
16	4	4x6 Cedar Board	4x6
17	1	4x8 Cedar Board	4x8
18	2	4x10 Cedar Board	4x10
19	2	4x10 Cedar Board	4x10

Bill of Material
(shown without roof for clarity)

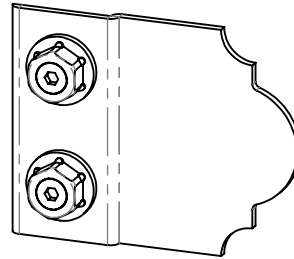
OZCO Project #212 - Pavilion Post and Beam – Free Standing



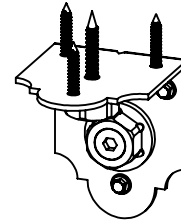
56615



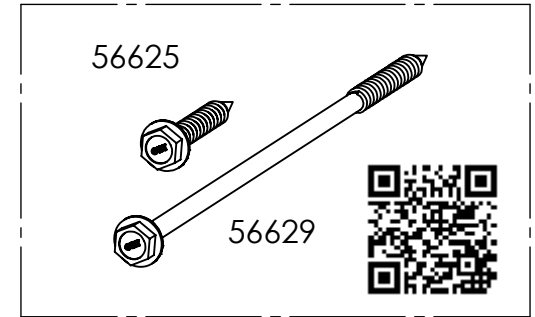
56613



56611

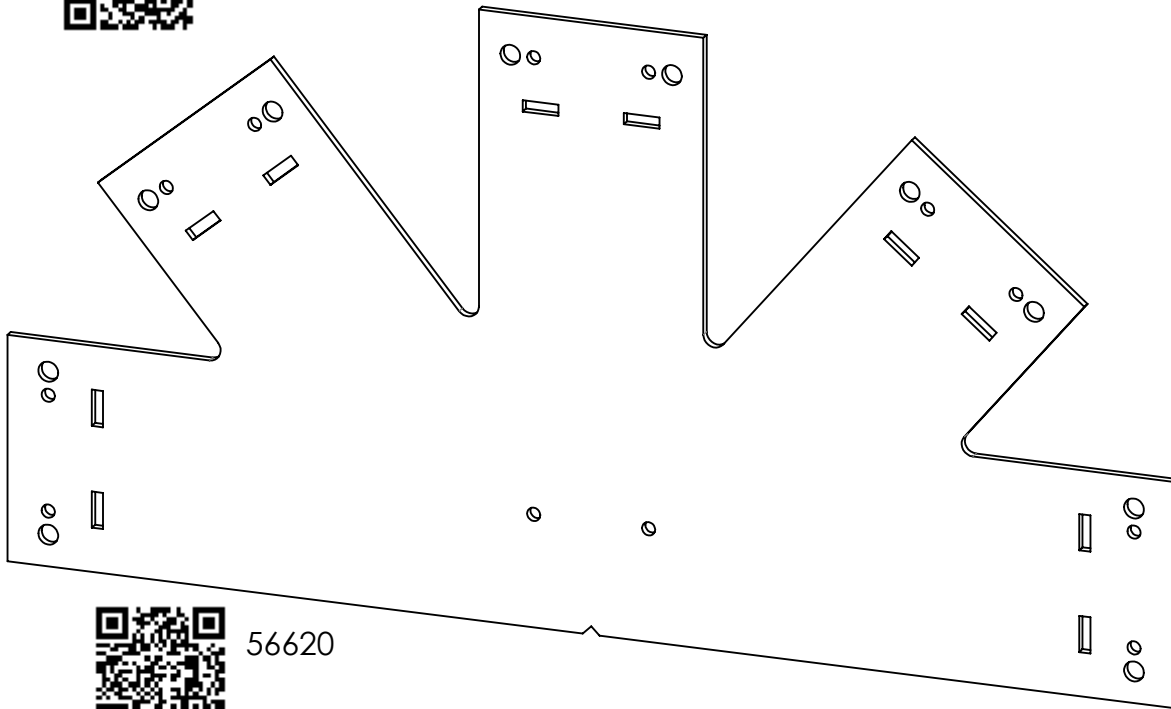


56618

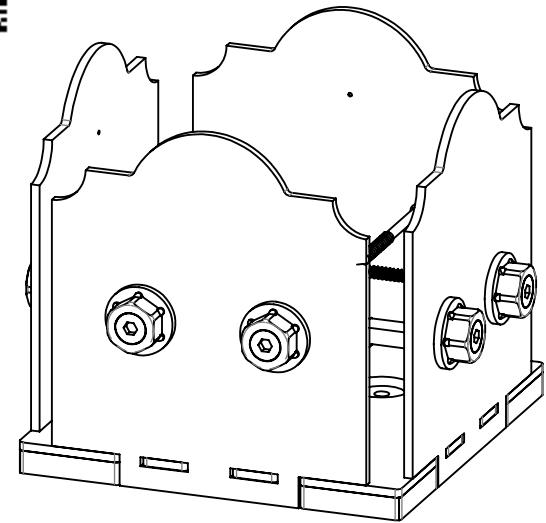


56625

56629



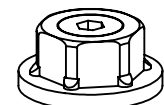
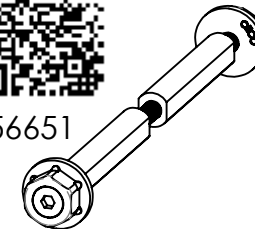
56620



56609



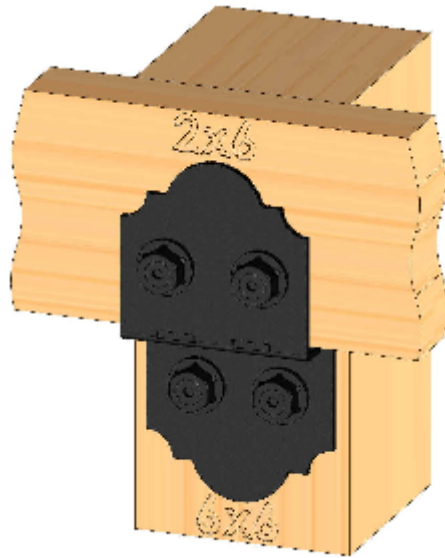
56651



56621



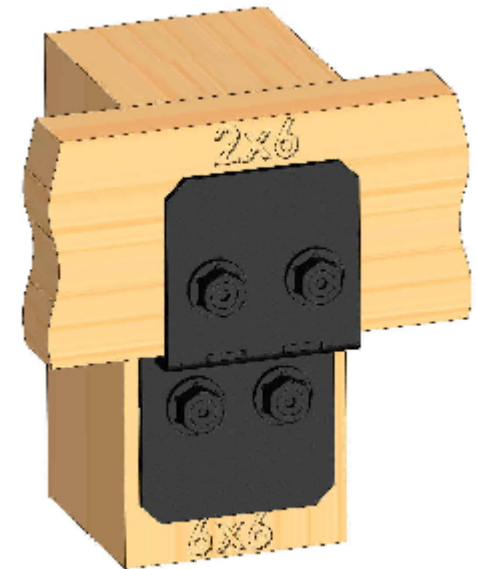
Laredo Sunset & Ironwood



Laredo Sunset
(566XX series)

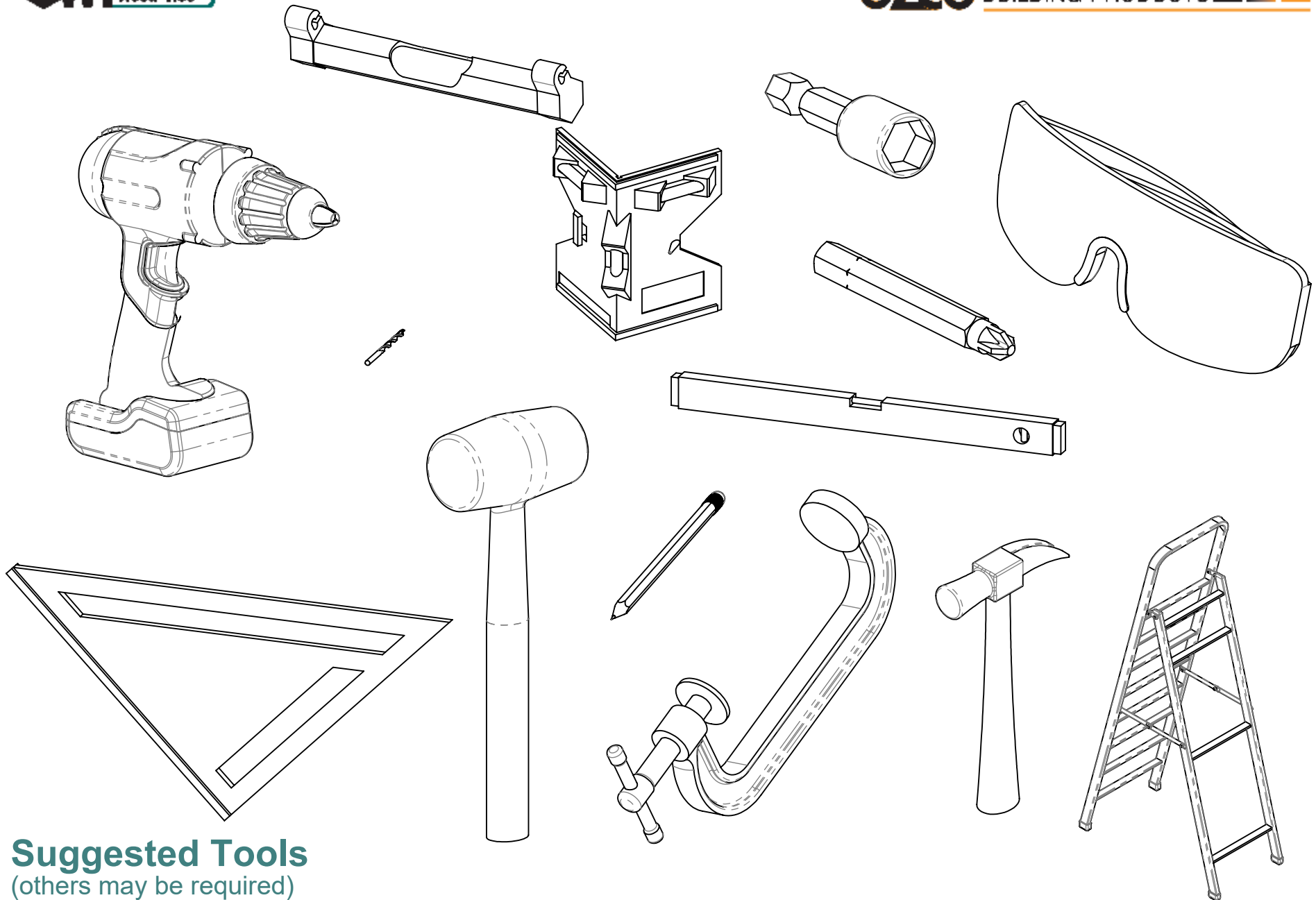
2 great styles
Same functionality
choose your
connection lifestyle

both styles available for
most products



Ironwood
(517XX series)

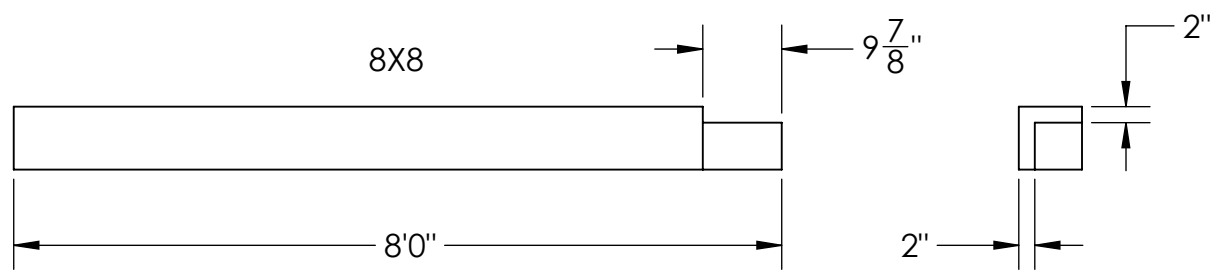
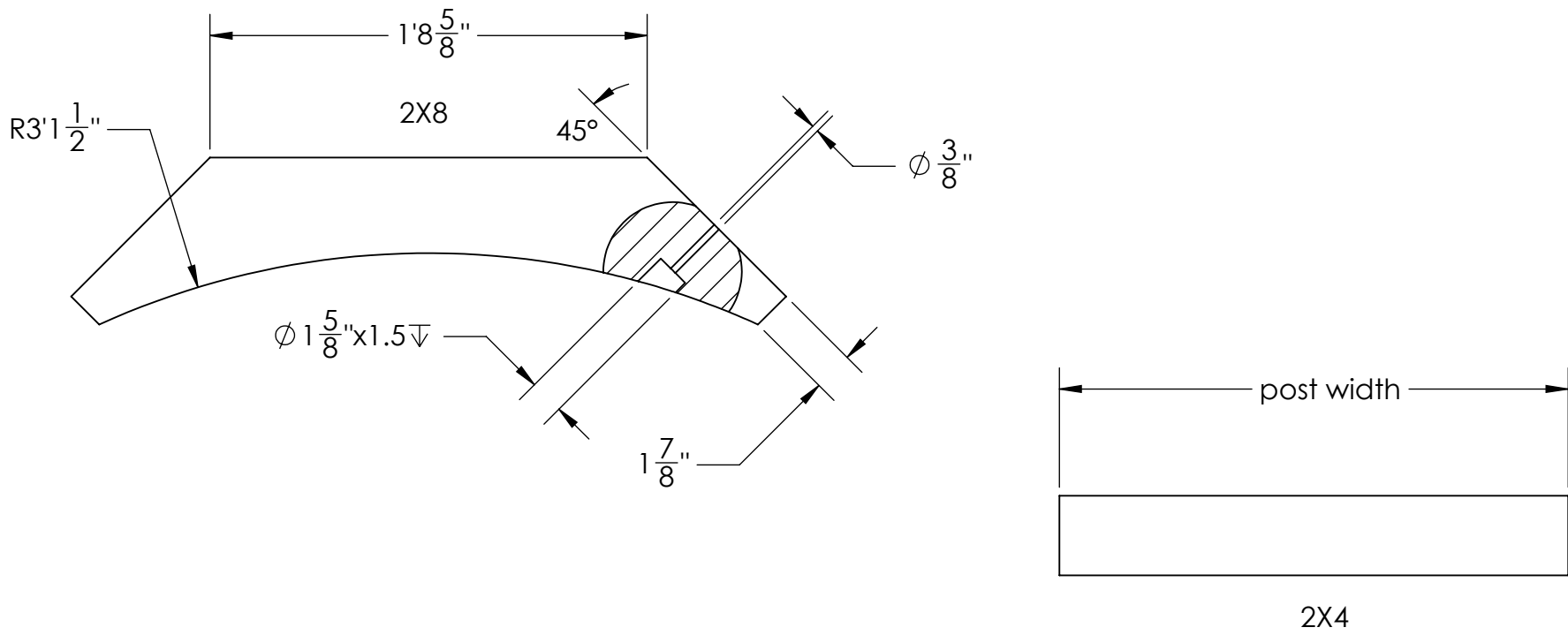




Suggested Tools

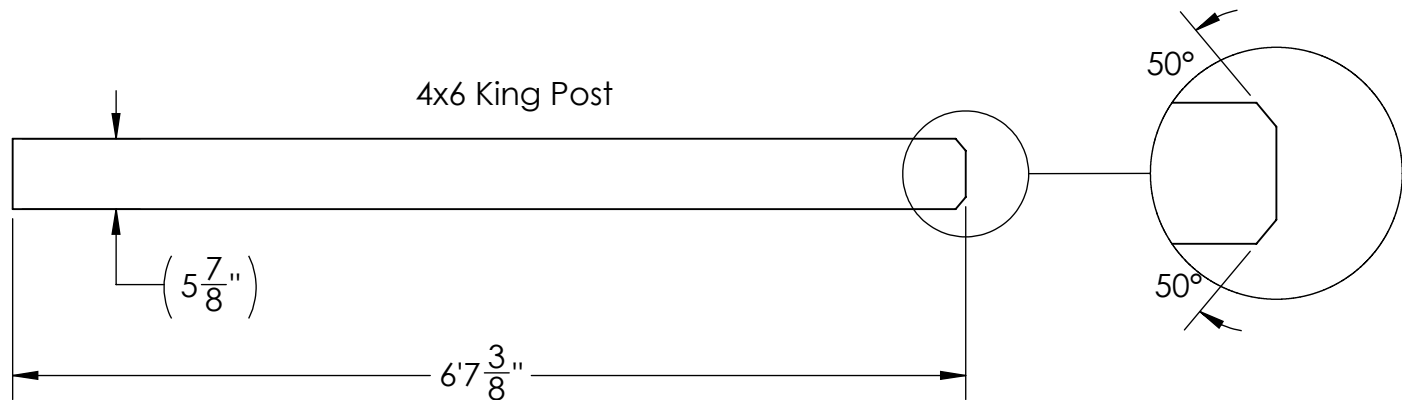
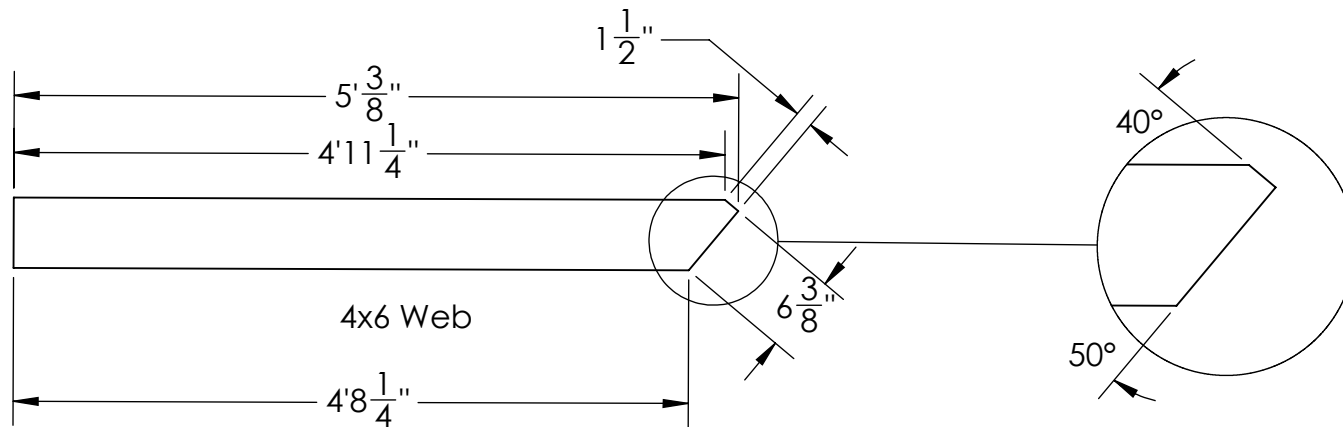
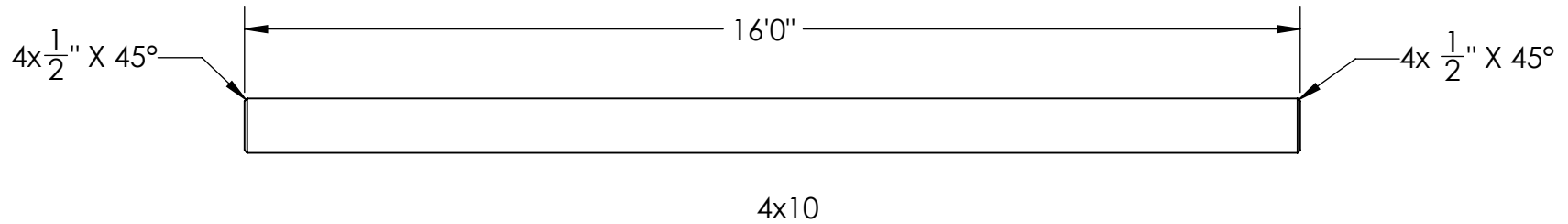
(others may be required)

OZCO Project #212 - Pavilion Post and Beam – Free Standing



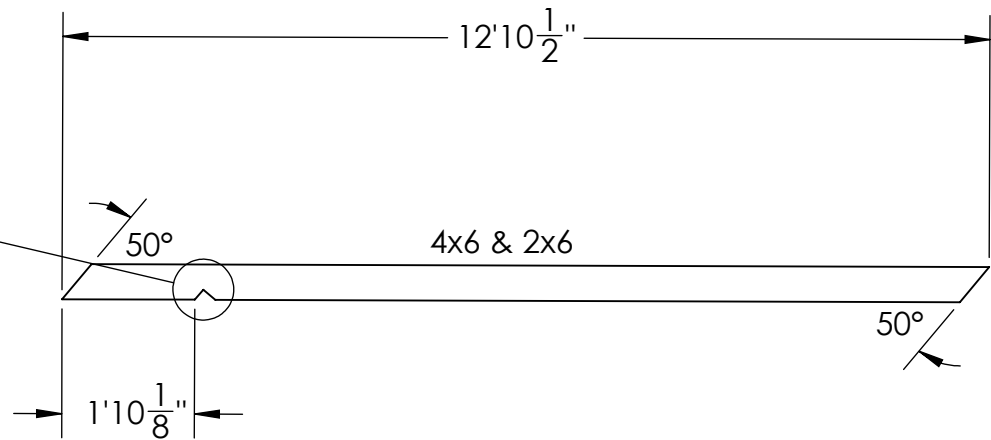
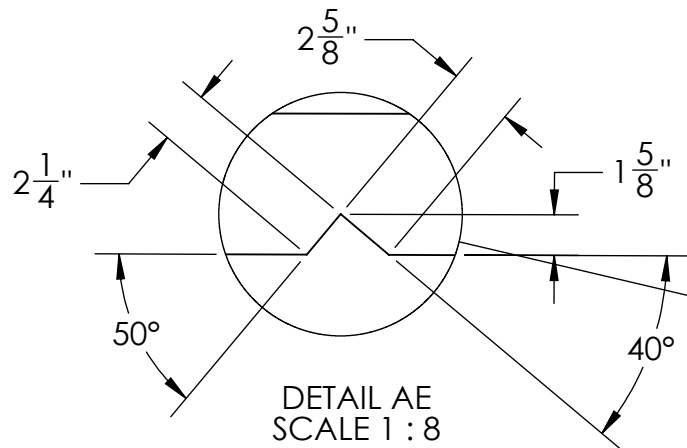
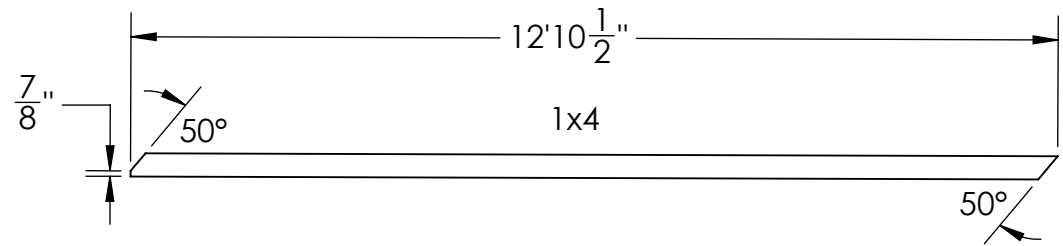
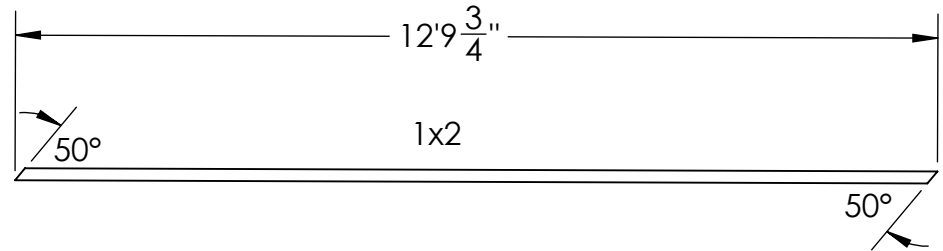
Cutlist1

OZCO Project #212 - Pavilion Post and Beam – Free Standing



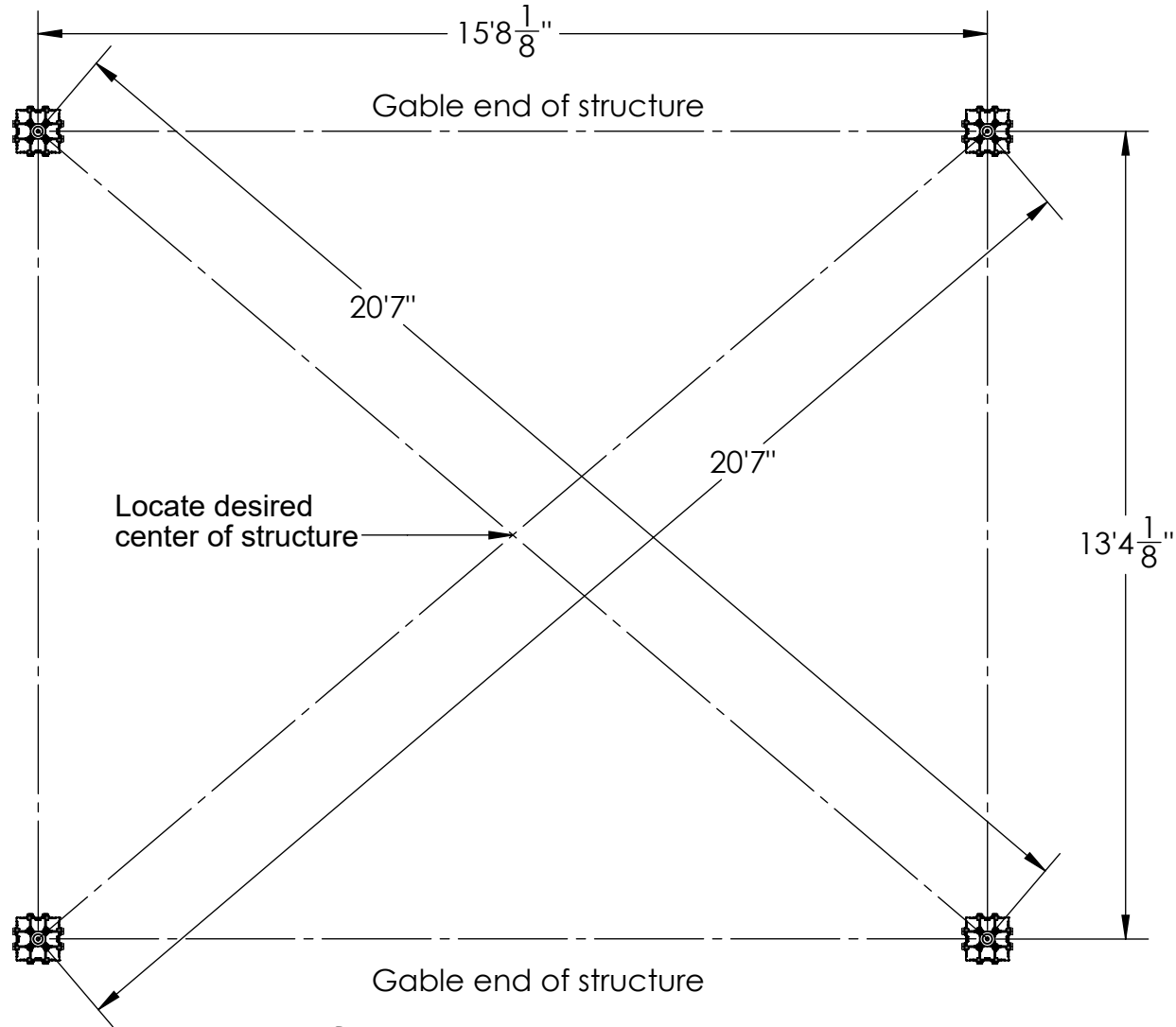
Cutlist2

OZCO Project #212 - Pavilion Post and Beam – Free Standing



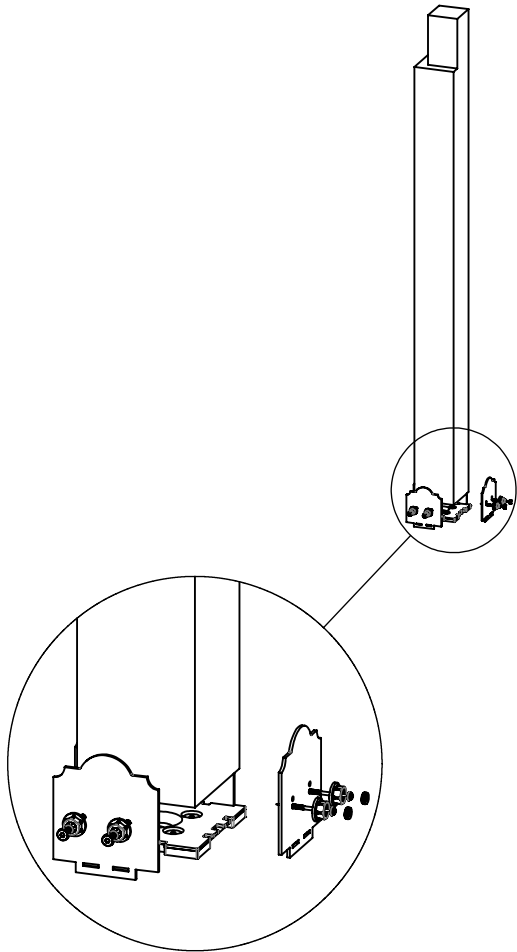
Cutlist3

OZCO Project #212 - Pavilion Post and Beam – Free Standing

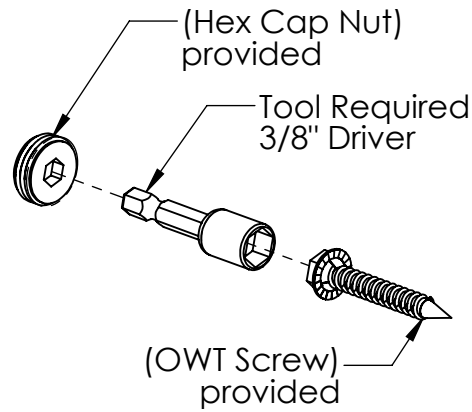
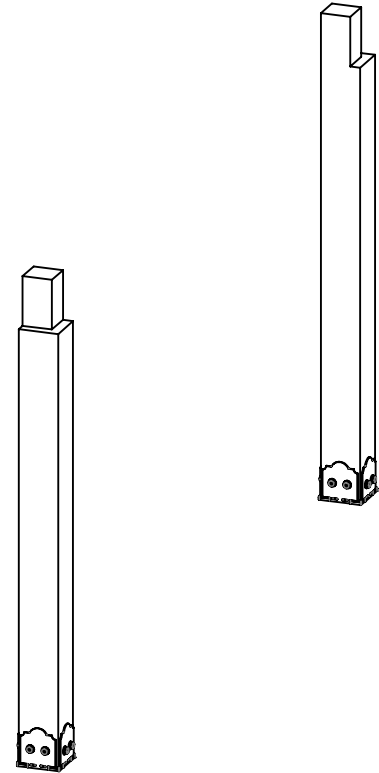


if site is not level,
see Ozco Site Leveling instruction



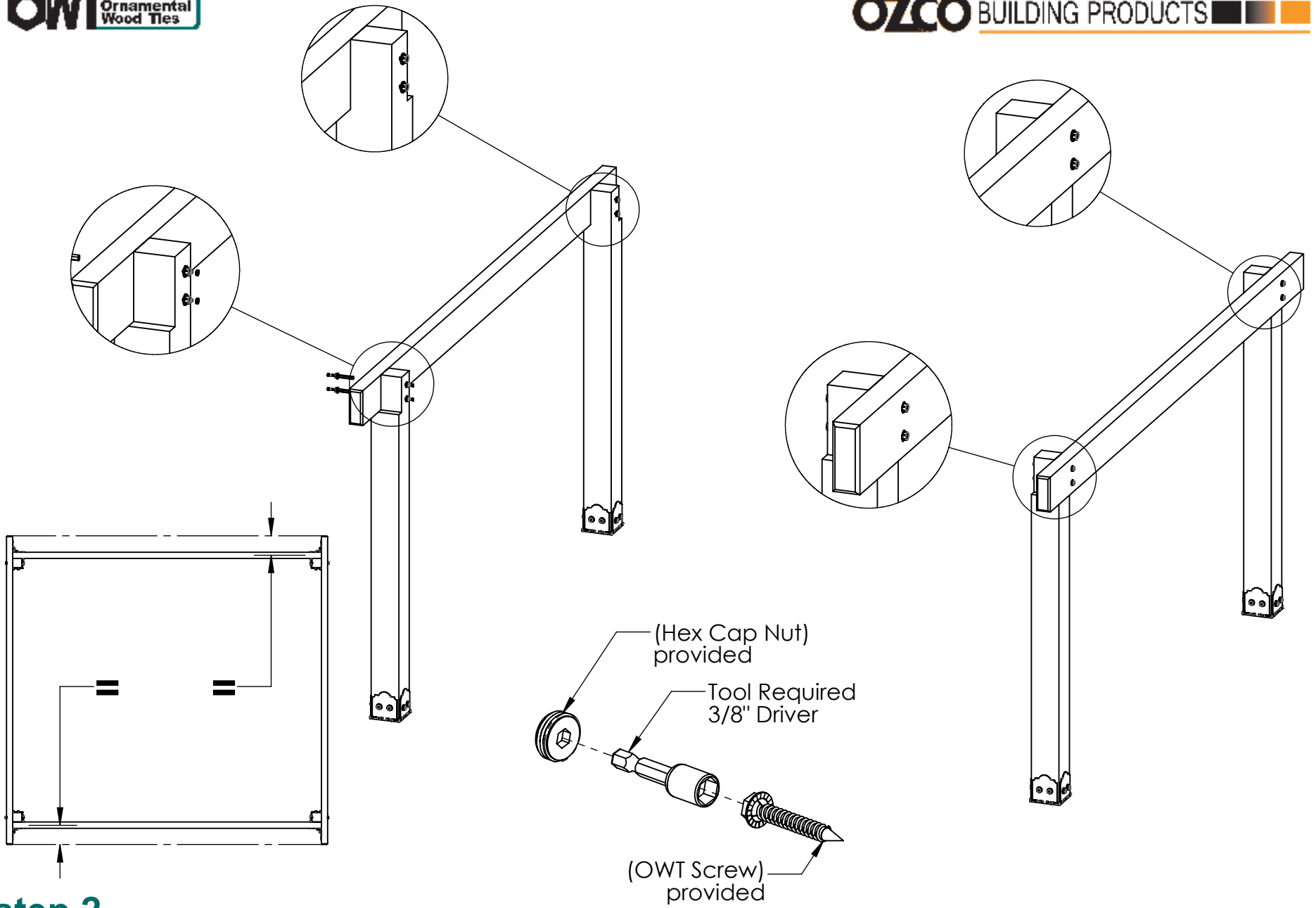


note post orientation



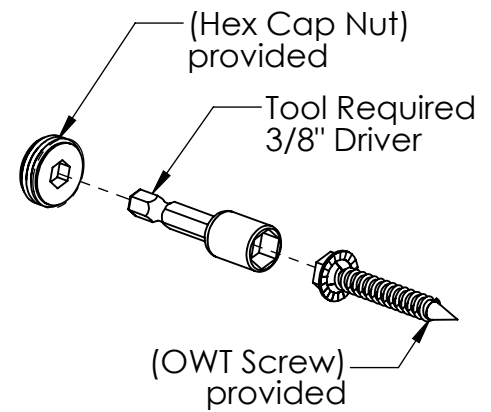
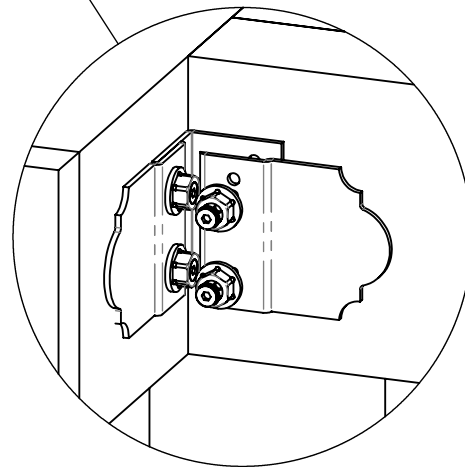
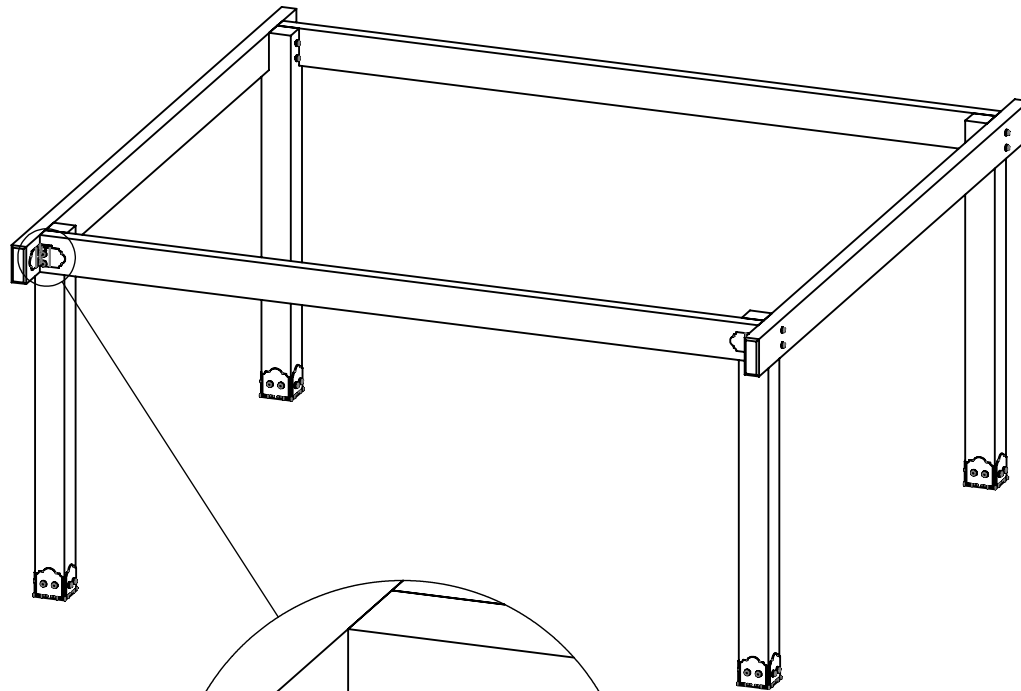
step 1

**OZCO Project #212 - Pavilion Post and Beam
- Free Standing**



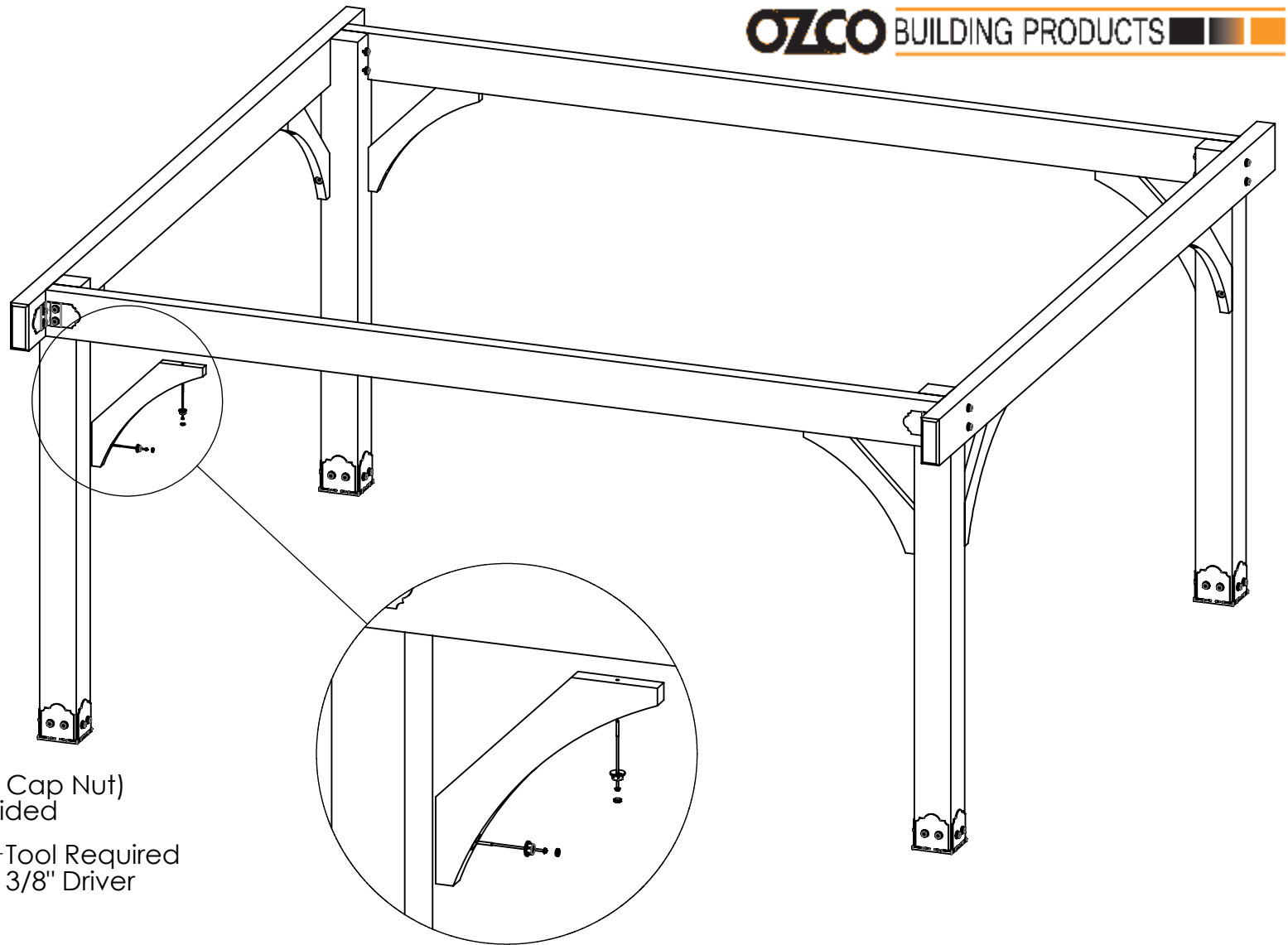
step 2

**OZCO Project #212 - Pavilion Post and Beam
- Free Standing**



step 3

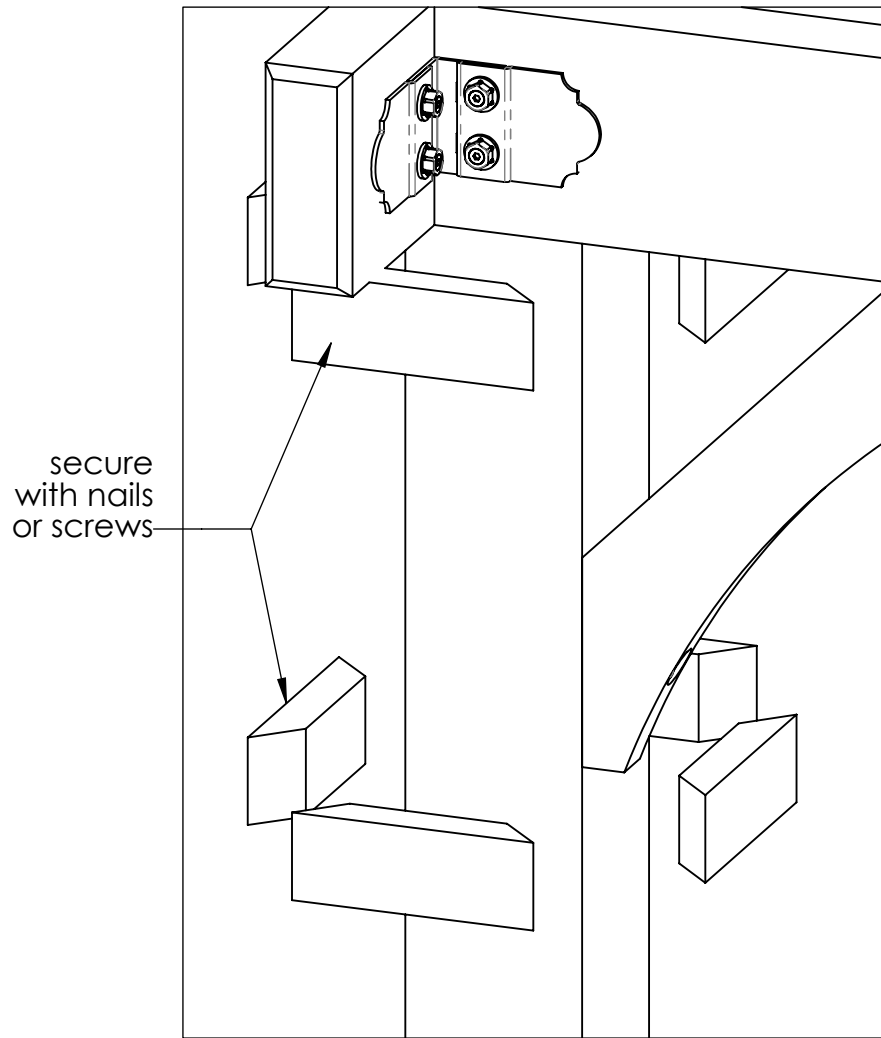
**OZCO Project #212 - Pavilion Post and Beam
- Free Standing**



step 4

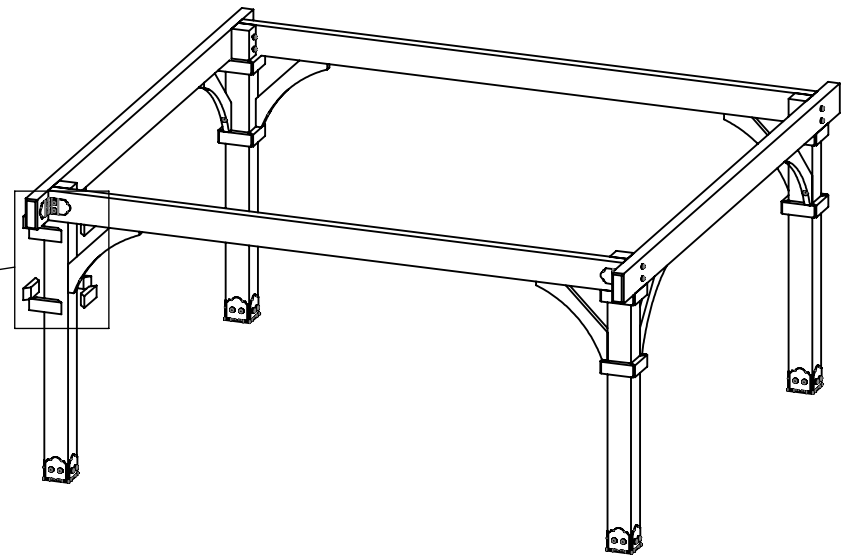
(OWT Screw)
provided

**OZCO Project #212 - Pavilion Post and Beam
- Free Standing**



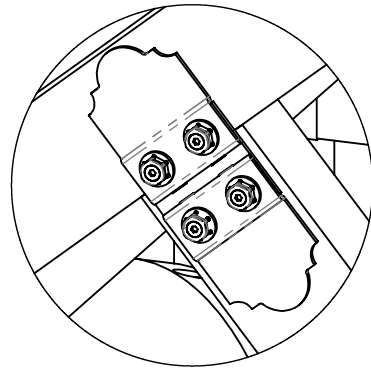
secure with nails or screws

repeat on all posts

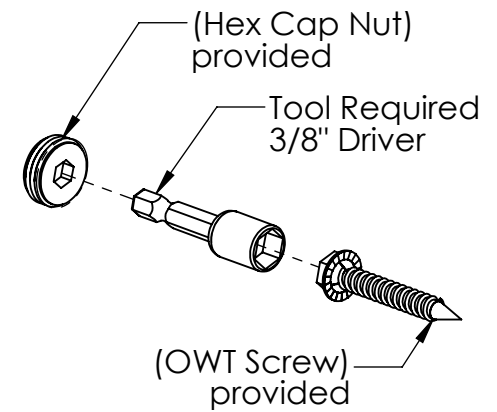
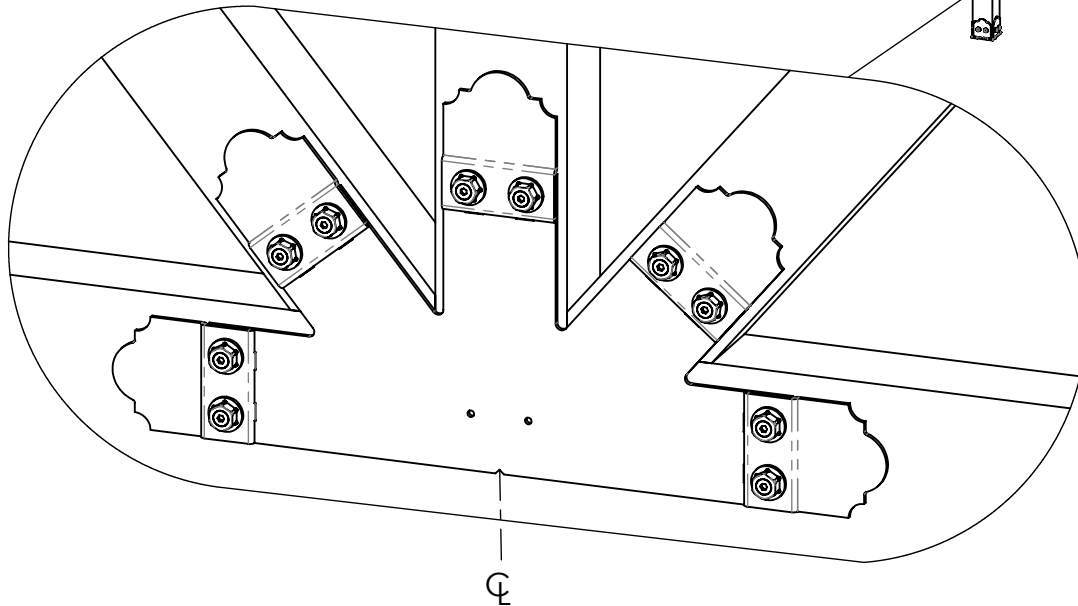
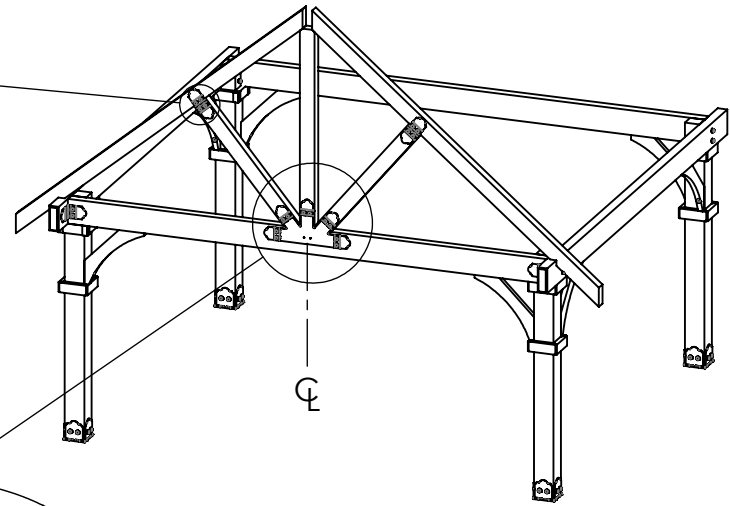


step 5

**OZCO Project #212 - Pavilion Post and Beam
- Free Standing**



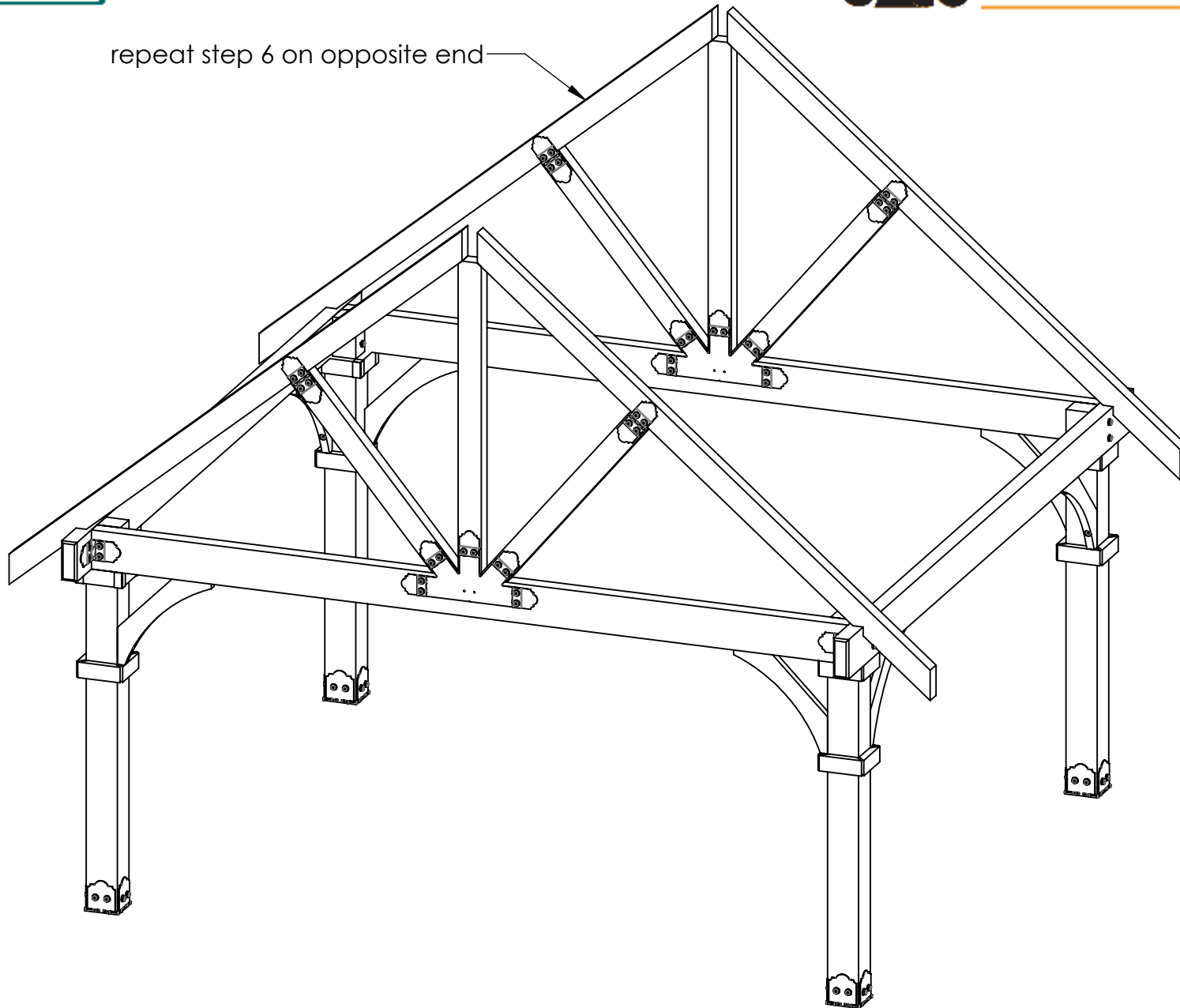
repeat connectors on
backside of Truss



step 6

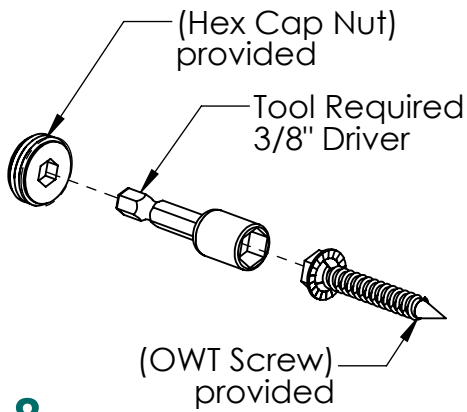
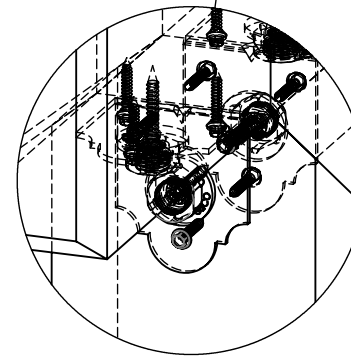
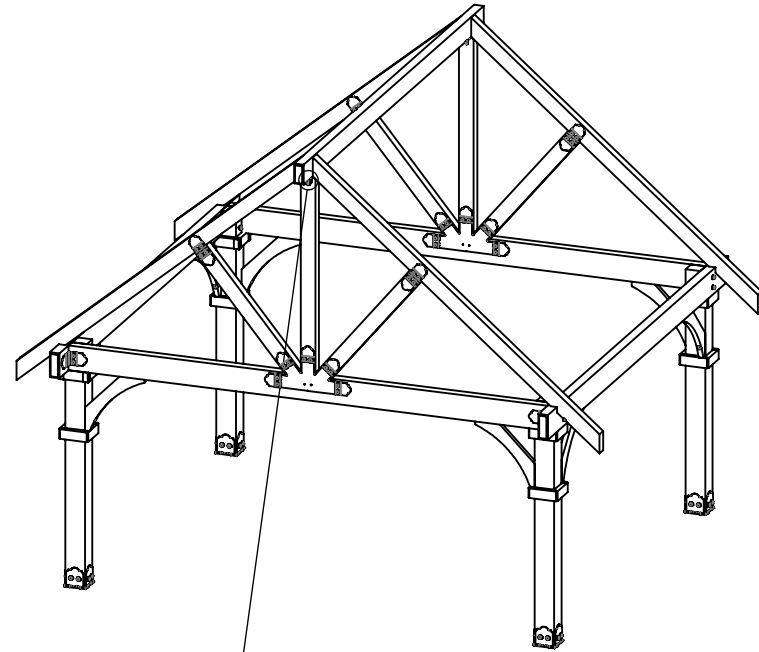
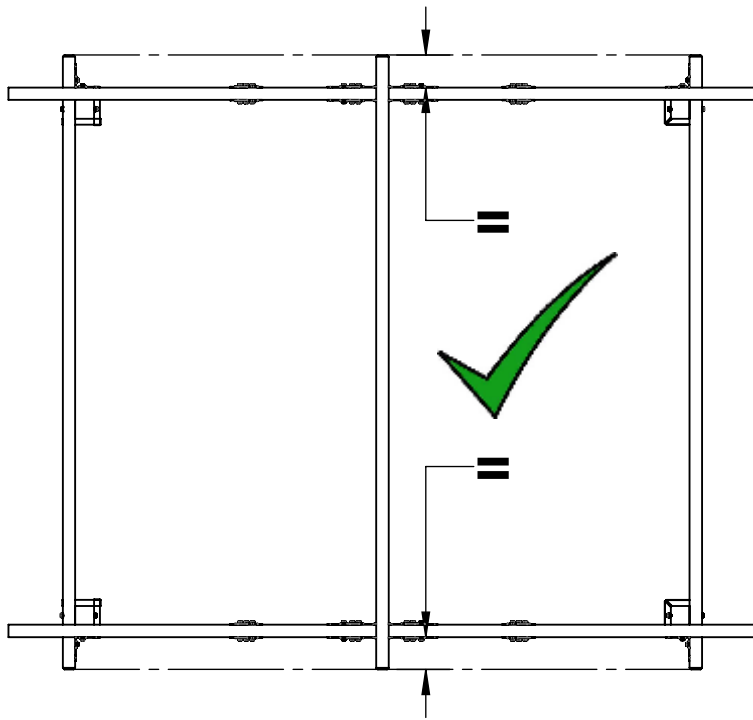
**OZCO Project #212 - Pavilion Post and Beam
- Free Standing**

repeat step 6 on opposite end



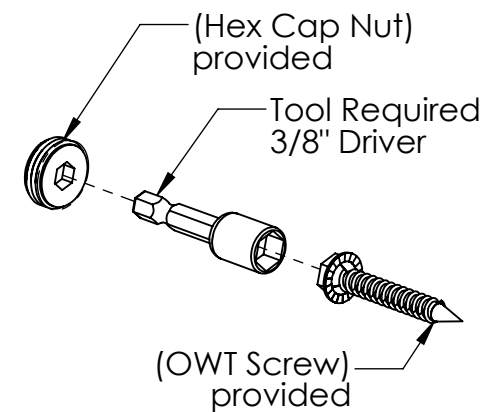
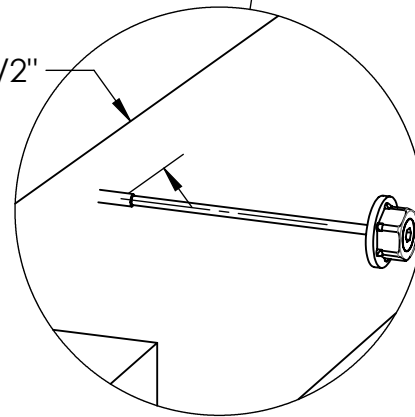
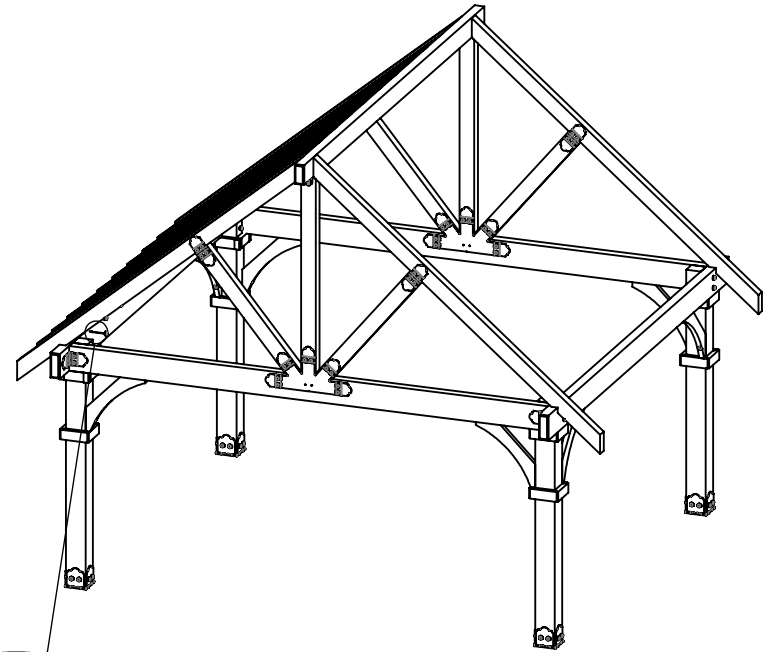
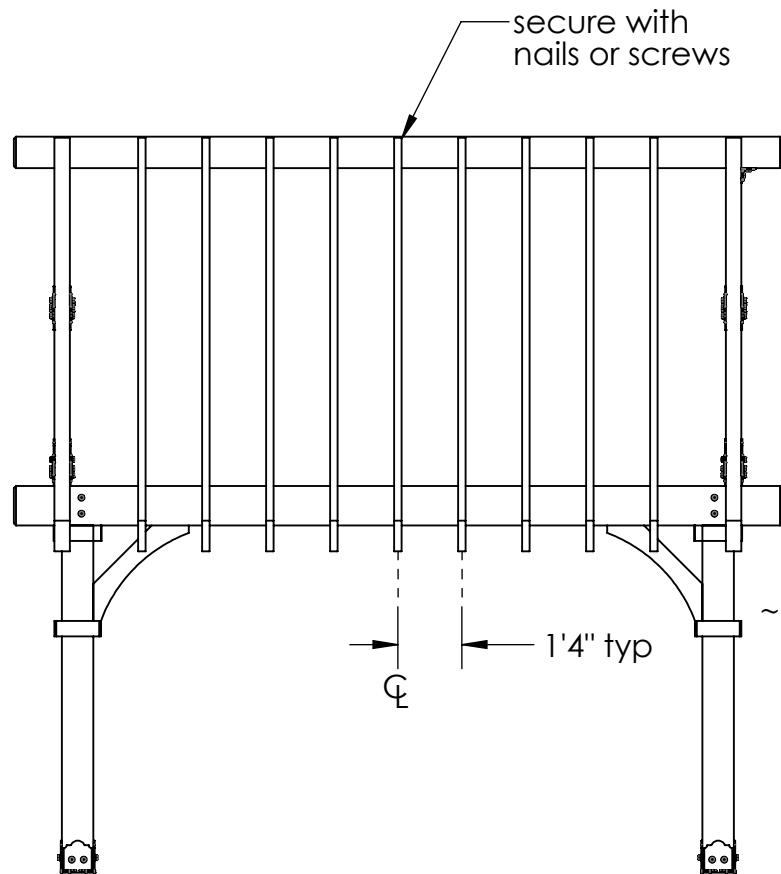
step 7

**OZCO Project #212 - Pavilion Post and Beam
- Free Standing**



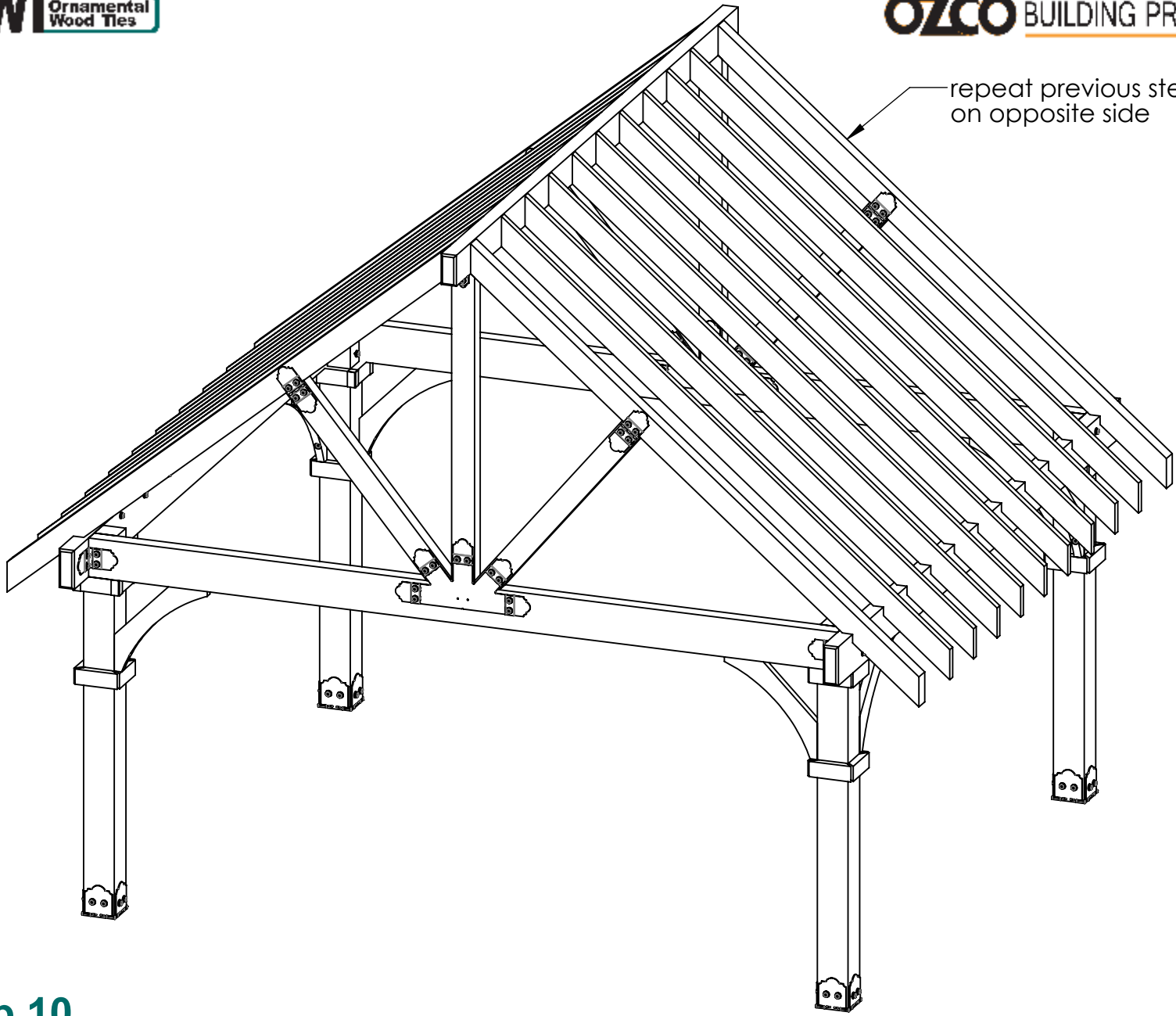
step 8

**OZCO Project #212 - Pavilion Post and Beam
- Free Standing**



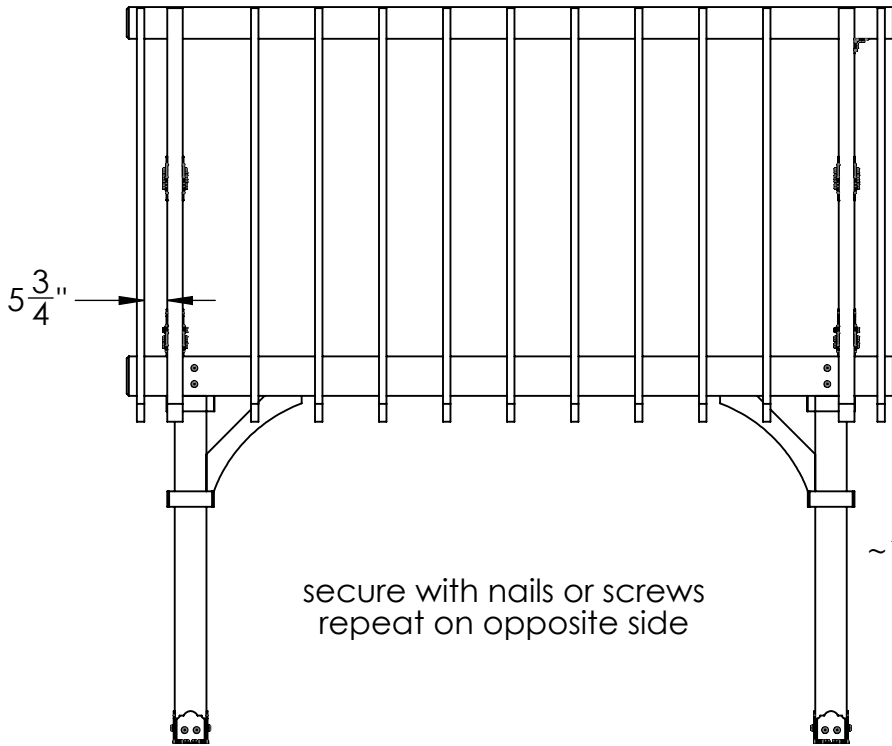
step 9

OZCO Project #212 - Pavilion Post and Beam
- Free Standing



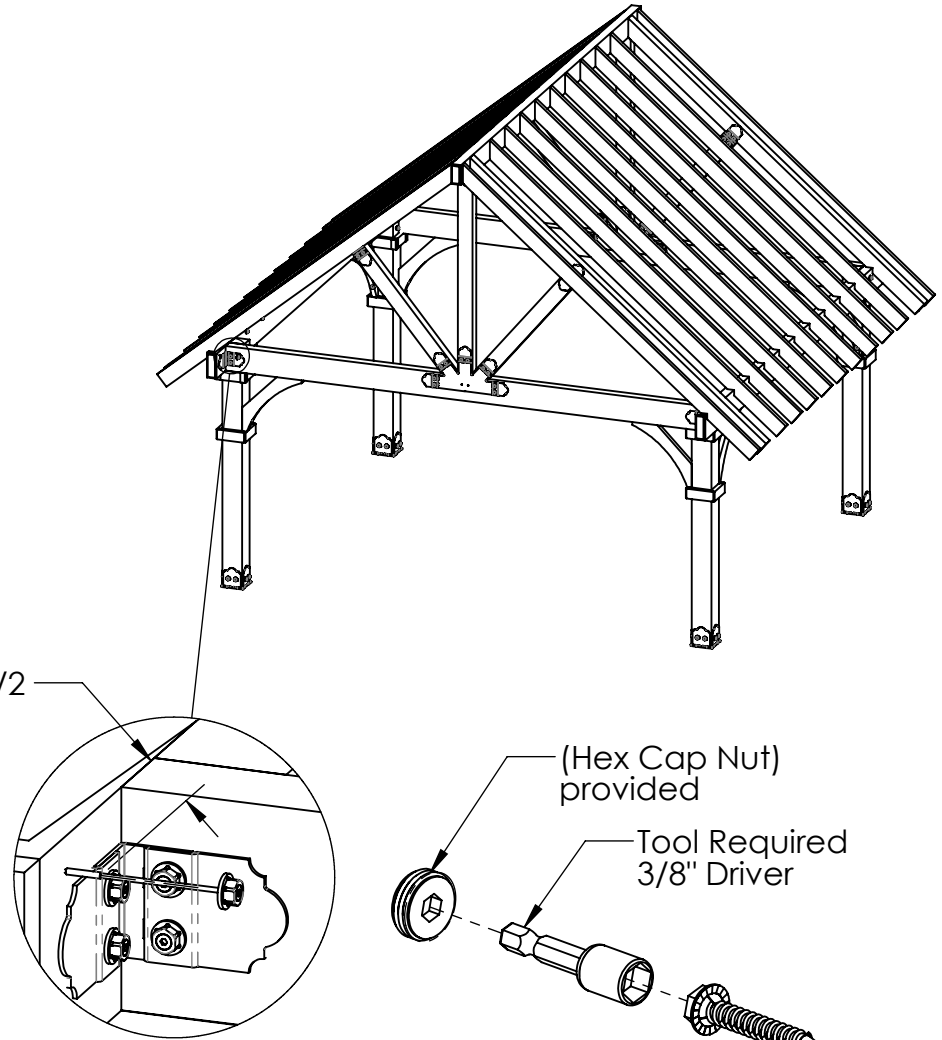
step 10

**OZCO Project #212 - Pavilion Post and Beam
- Free Standing**



secure with nails or screws
repeat on opposite side

~1-1/2"



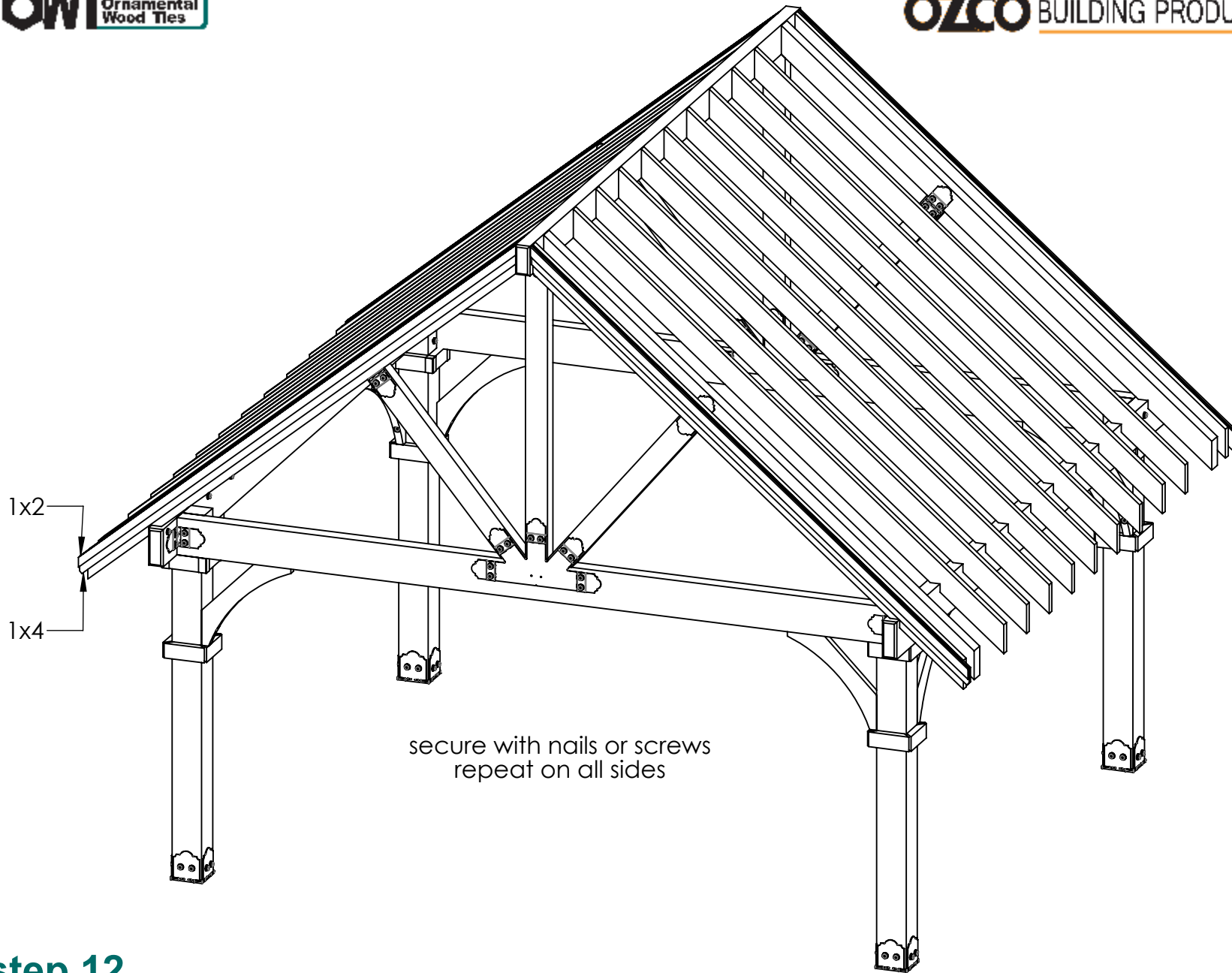
(Hex Cap Nut)
provided

Tool Required
3/8" Driver

(OWT Screw)
provided

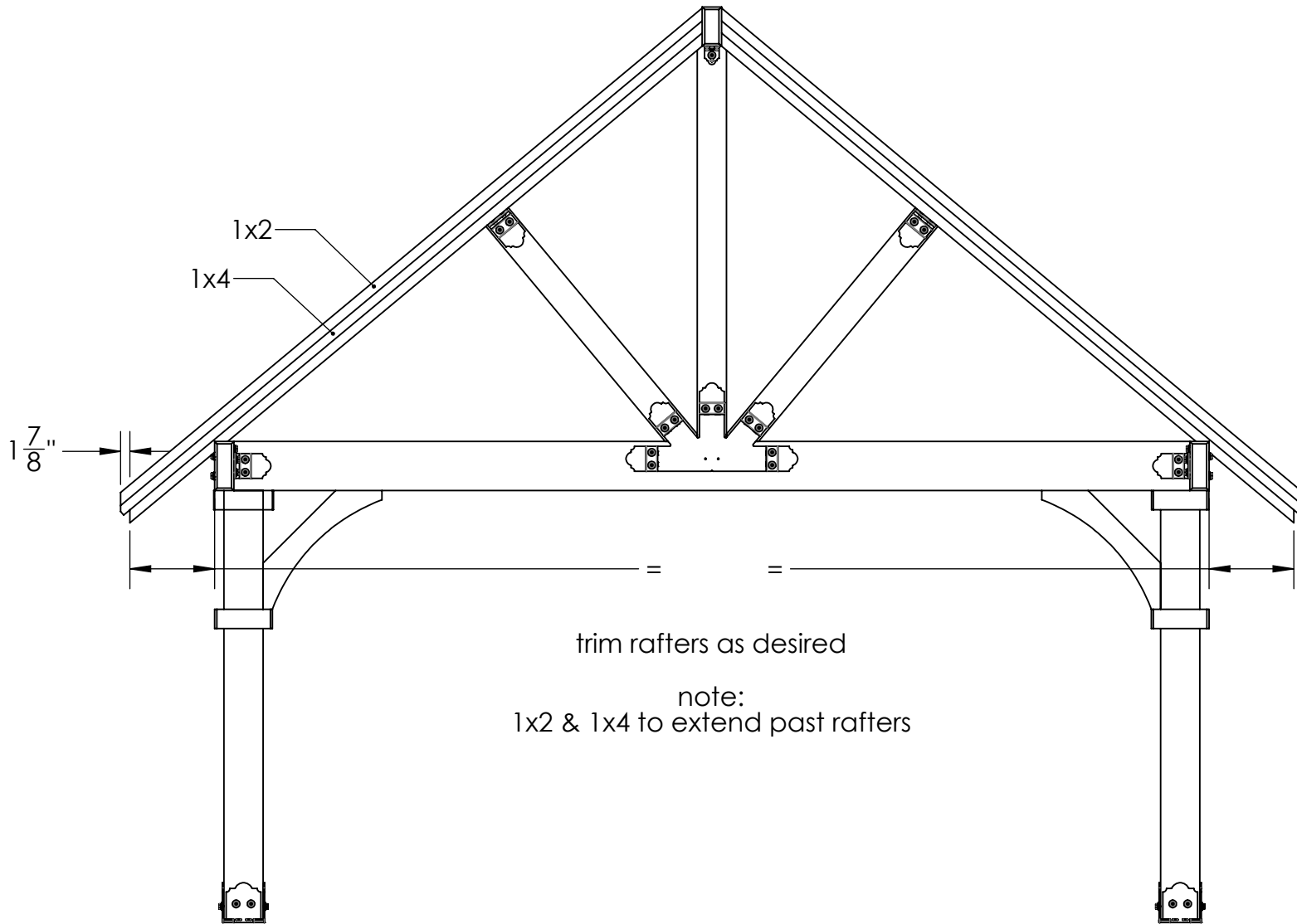
step 11

**OZCO Project #212 - Pavilion Post and Beam
- Free Standing**



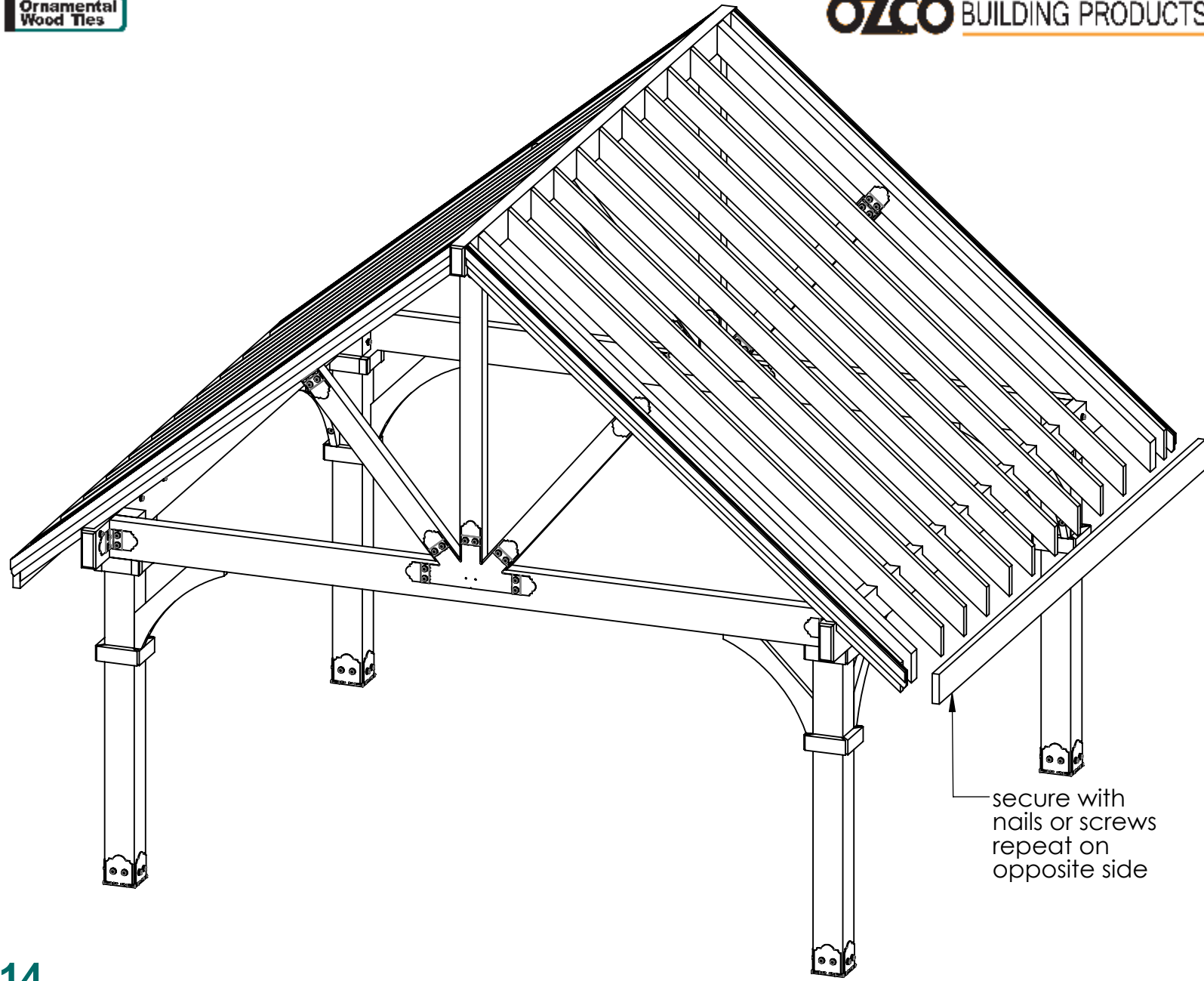
step 12

**OZCO Project #212 - Pavilion Post and Beam
- Free Standing**



step 13

**OZCO Project #212 - Pavilion Post and Beam
- Free Standing**



secure with
nails or screws
repeat on
opposite side

step 14

**OZCO Project #212 - Pavilion Post and Beam
- Free Standing**



Roofing Option

OZCO Project #212 - Pavilion Post and Beam
- Free Standing