

DESIGN

PURCHASE

CONSTRUCT

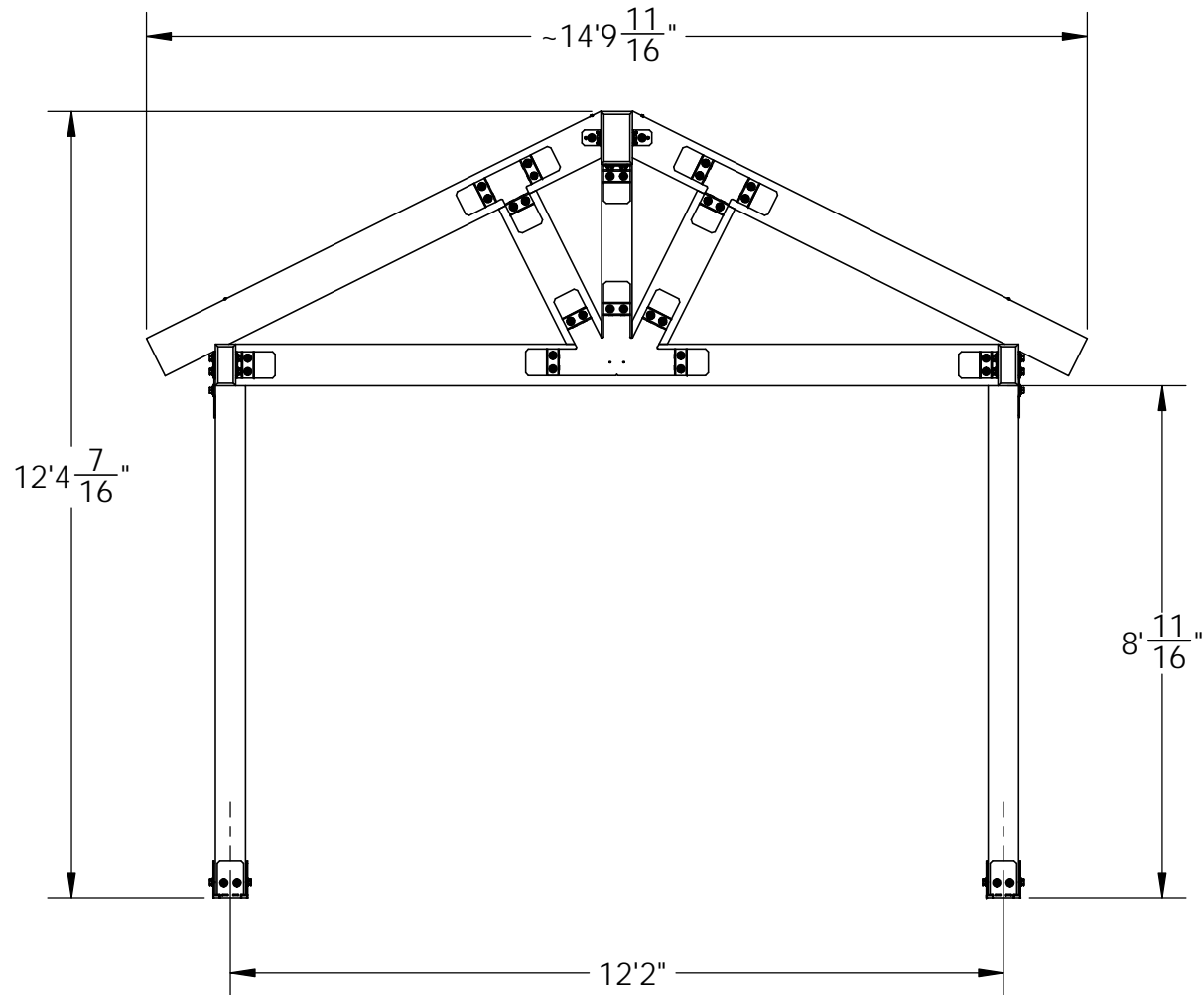
ENJOY

OZCO Project #218 IW - Cabana & Covered Patio Area



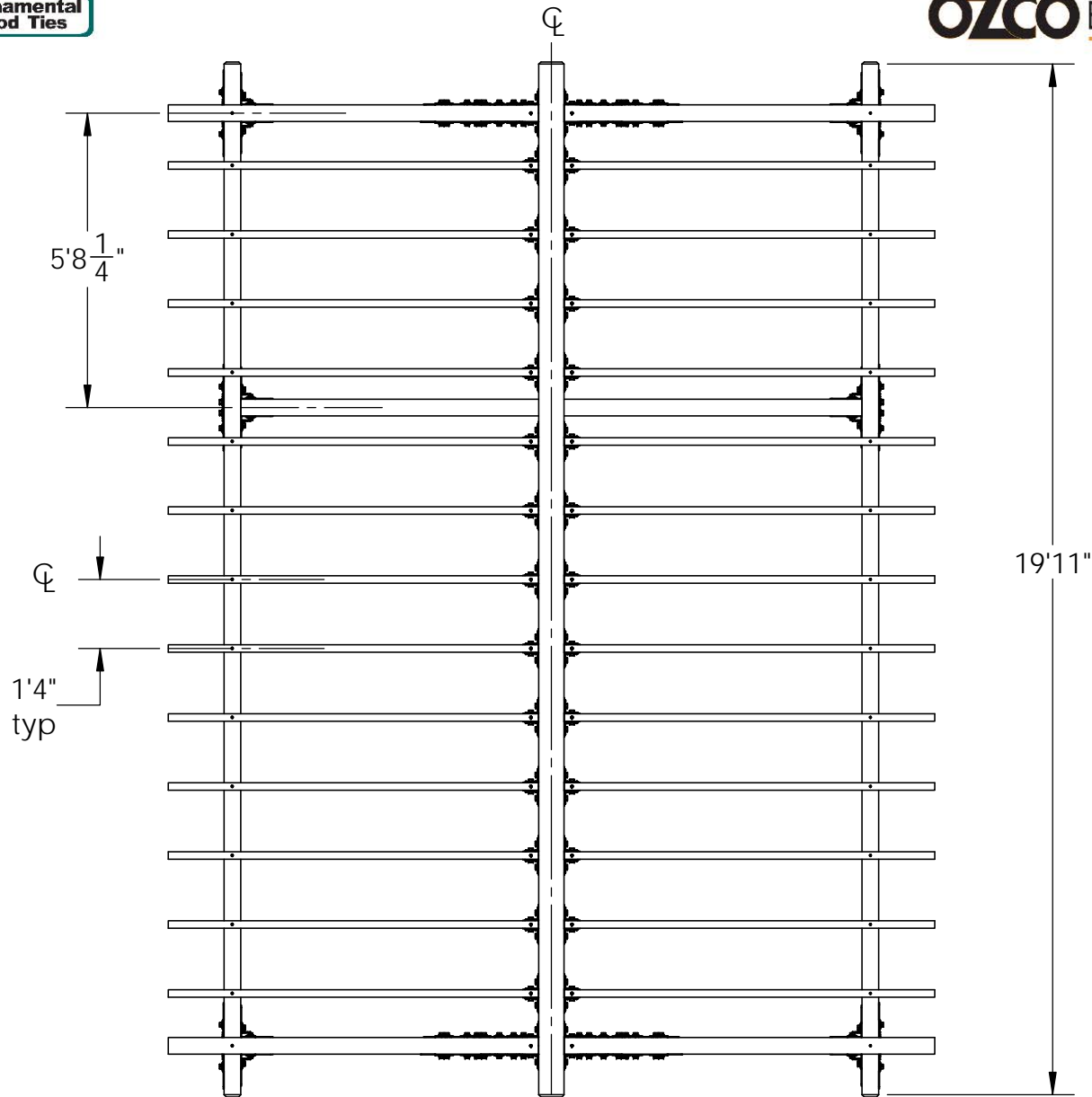
Roofing & Paneling shown translucent





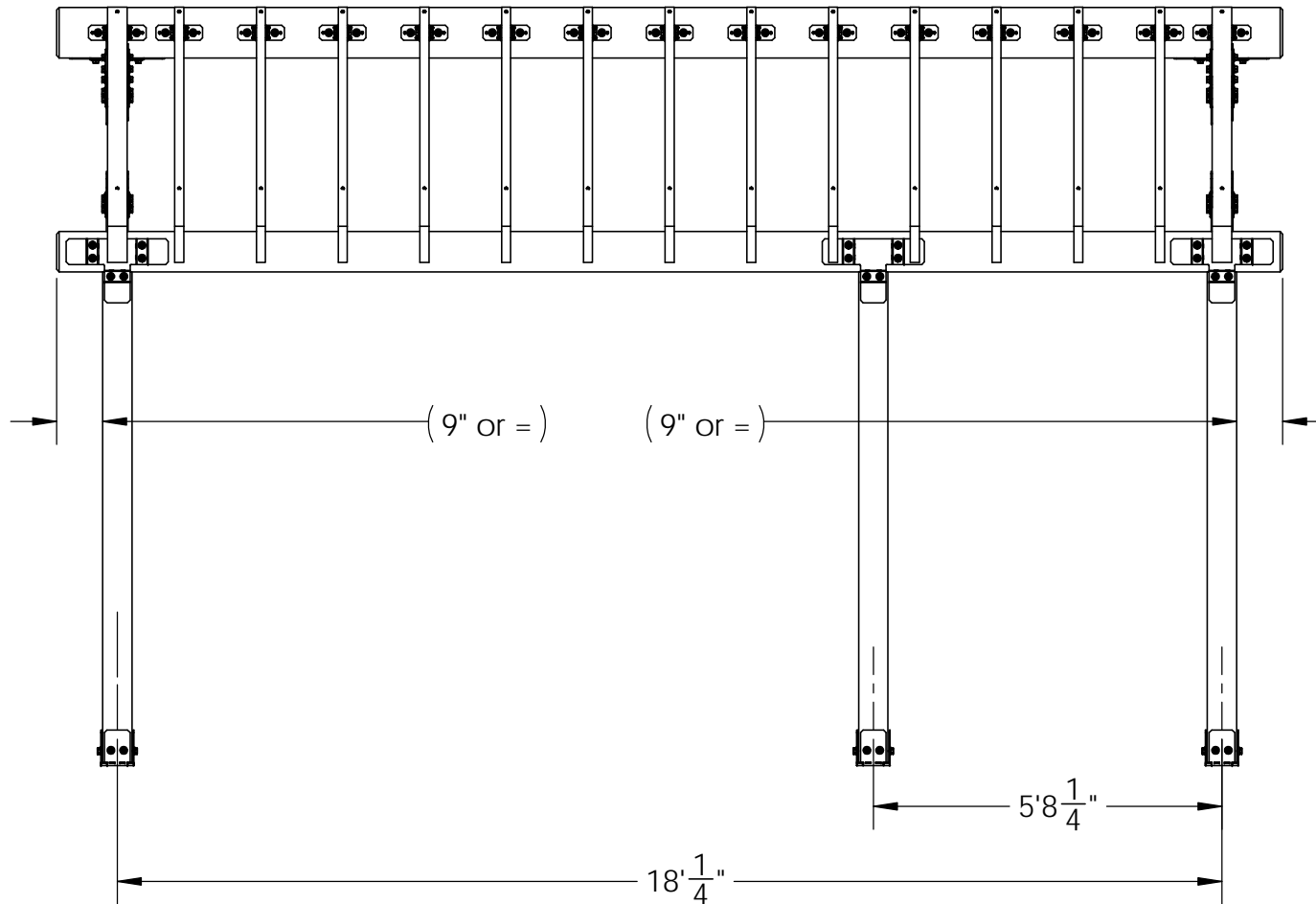
Overview-Front

OZCO Project #218 IW - Cabana & Covered
Patio Area



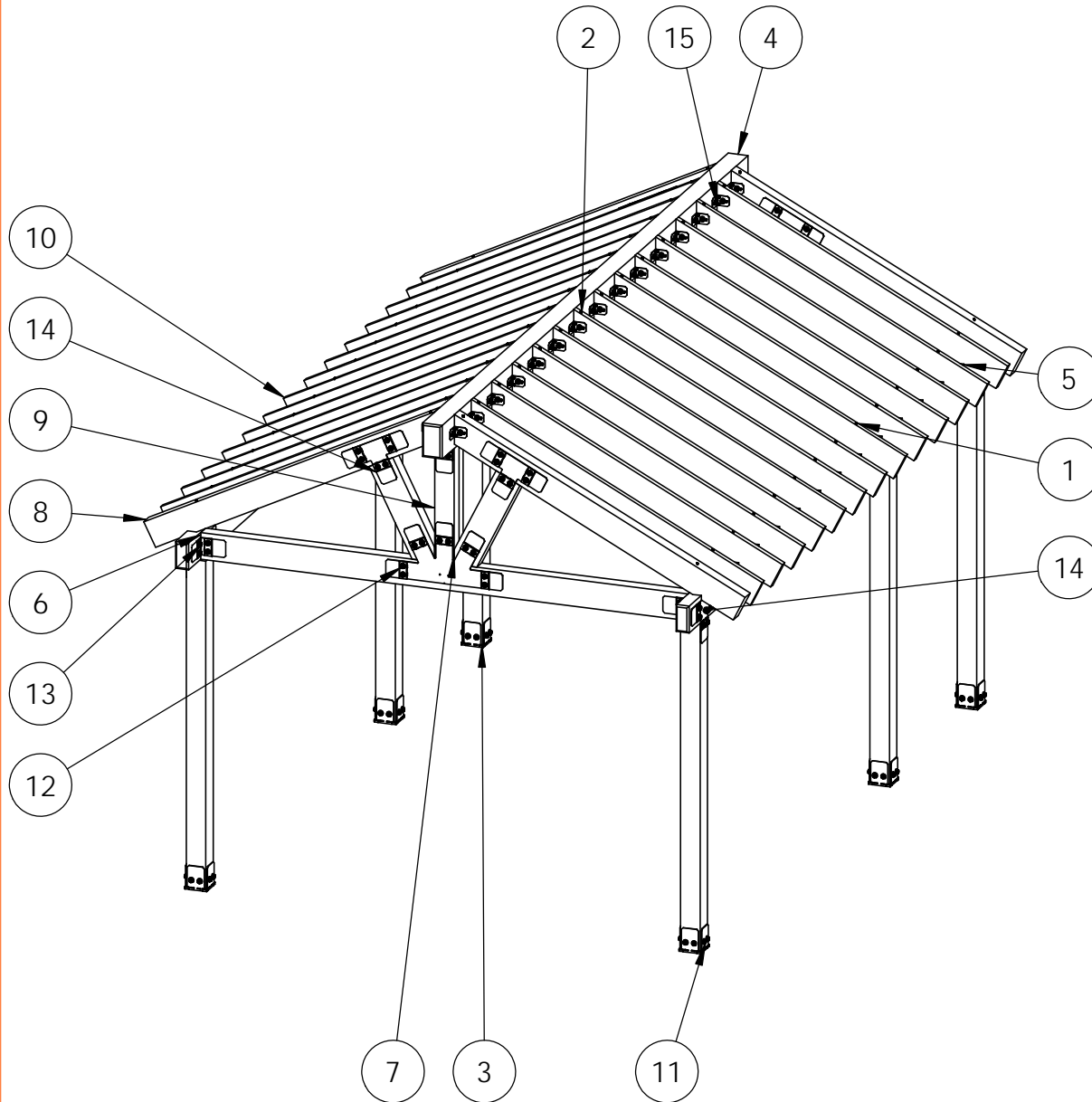
Overview-Top

OZCO Project #218 IW - Cabana & Covered
Patio Area



Overview-Side

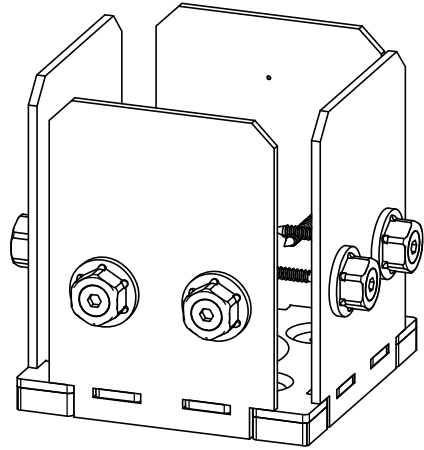
OZCO Project #218 IW - Cabana & Covered
Patio Area



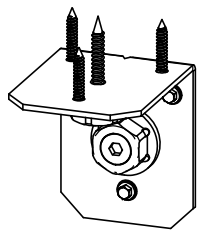
ITEM NO.	QTY.	PART NUMBER	DESCRIPTION
1	2	56648	OWT Timber Screw 12"
2	2	56629	OWT Timber Screw 7-1/2"
3	6	6x6 Cedar Post	6x6x8'0"
4	1	6x10 Cedar Board	6x10x20'0"
5	2	4x8 Cedar Board	4x8x20'0"
6	3	4x8 Cedar Board	4x8x12'0"
7	4	4x8 Cedar Board	4x8x2'7 1/2"
8	4	4x8 Cedar Board	4x8x8'0"
9	2	4x6 Cedar Board	4x6x2'10"
10	26	2x8 Cedar Board	2x8x8'0"
11	6	51708	6x6 Post Base (6x6-PB-IW)
12	4	56643	Truss Base Fan 6:12
	10	51711	Truss Accent (TA-IW)
	2	56625	OWT Timber Screw 1-3/4"
14	7	56612	"T" Tie Plate (TTP)
	8	51711	Truss Accent (TA-IW)
	2	56625	OWT Timber Screw 1-3/4"
15	6	51718	4" Standard Rafter Clips (RC-IW-4)

Bill of Material

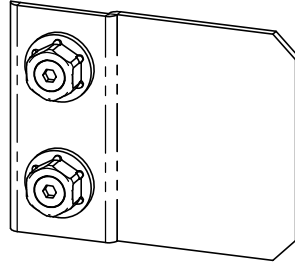
AutoRecover Of OZCO Project #218 IW-Cabana & Covered Patio Area



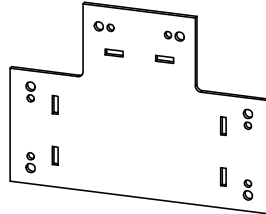
51708



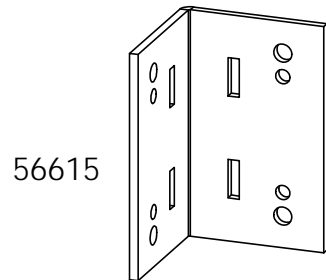
51718



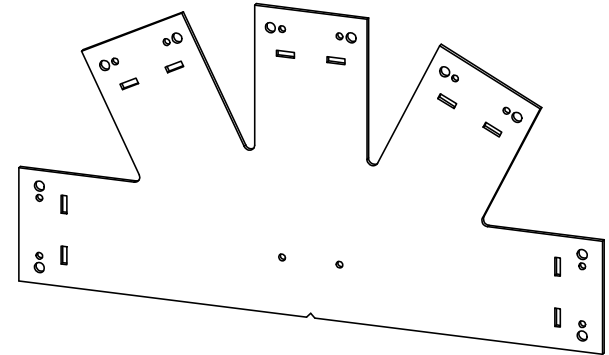
51711



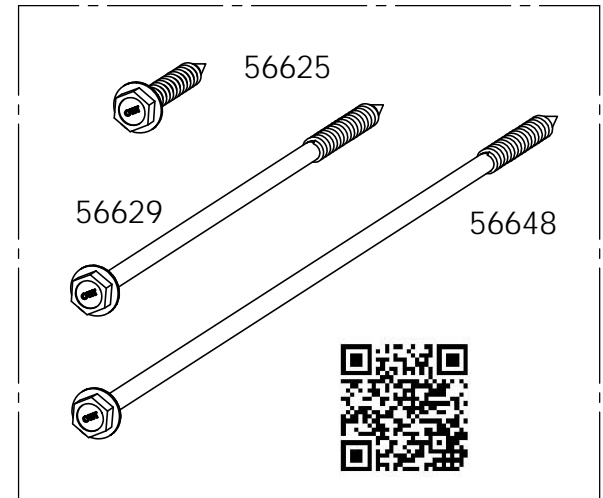
56612



56615



56643

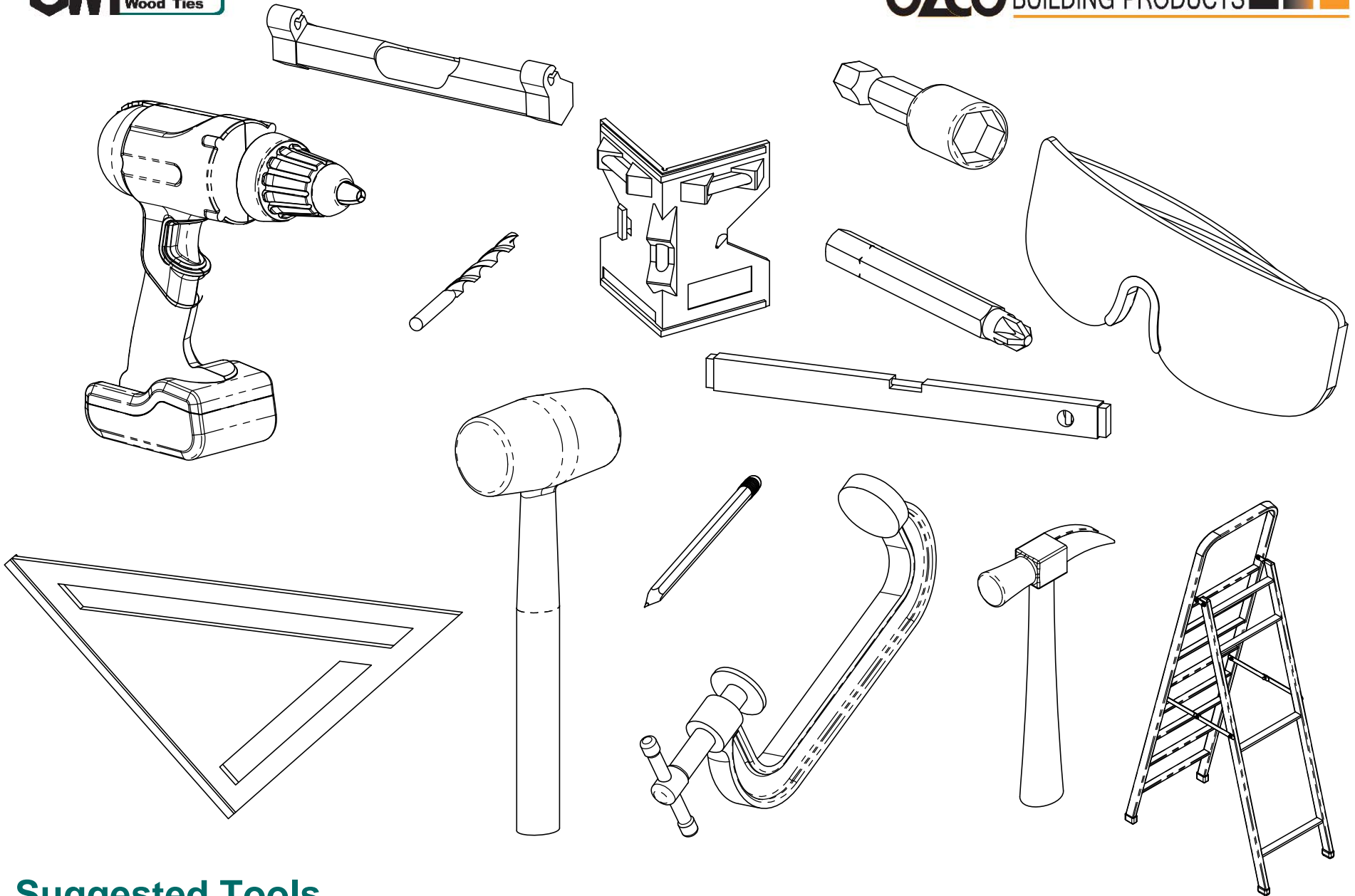


56625

56629

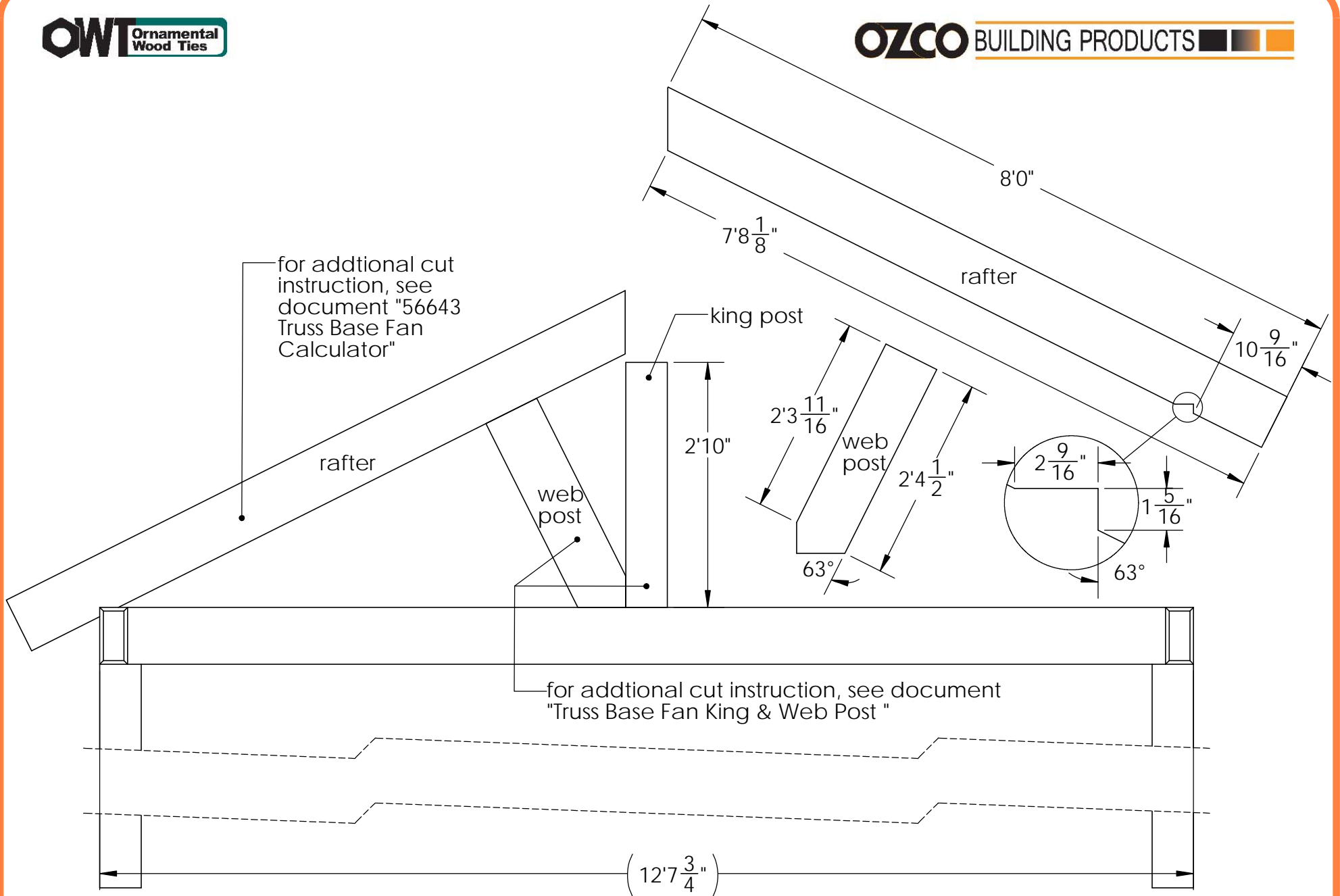
56648





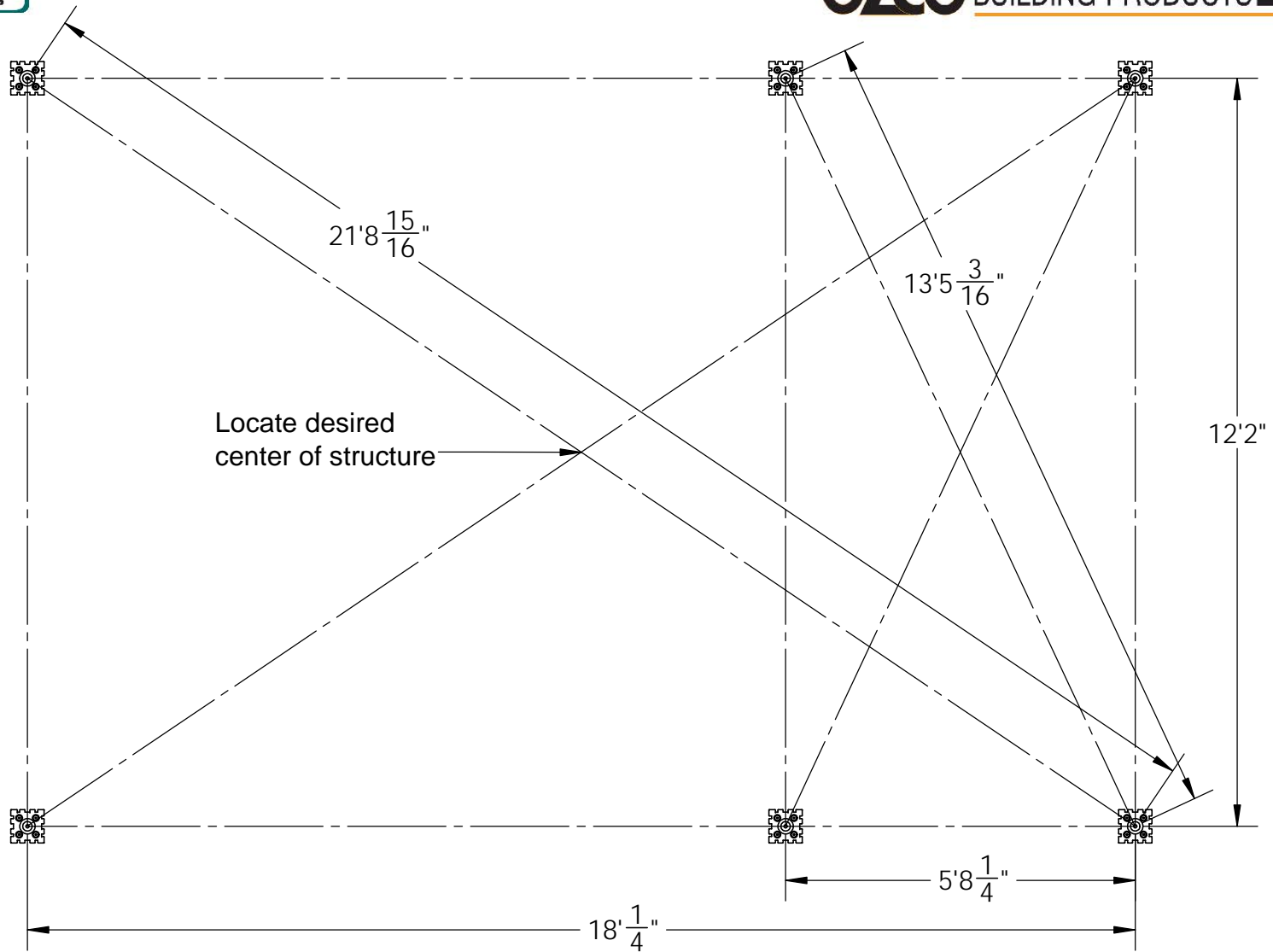
Suggested Tools (others may be required)

OZCO Project #218 IW - Cabana & Covered
Patio Area



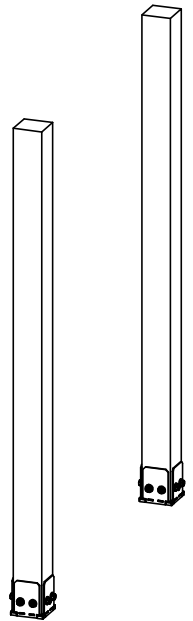
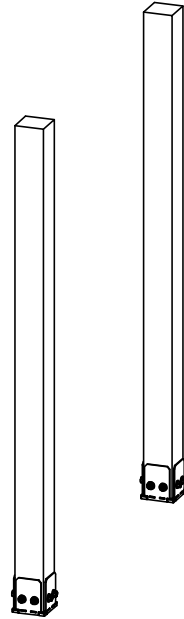
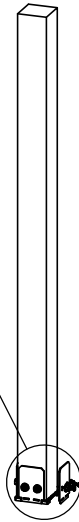
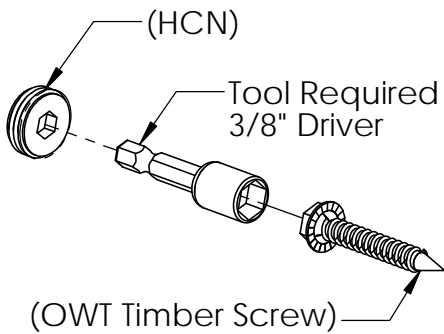
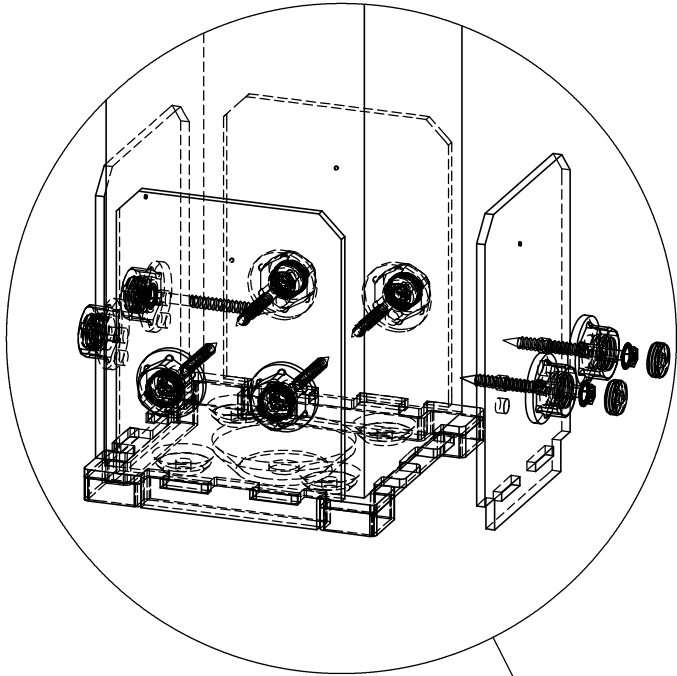
Cutlist

OZCO Project #218 IW - Cabana & Covered
Patio Area



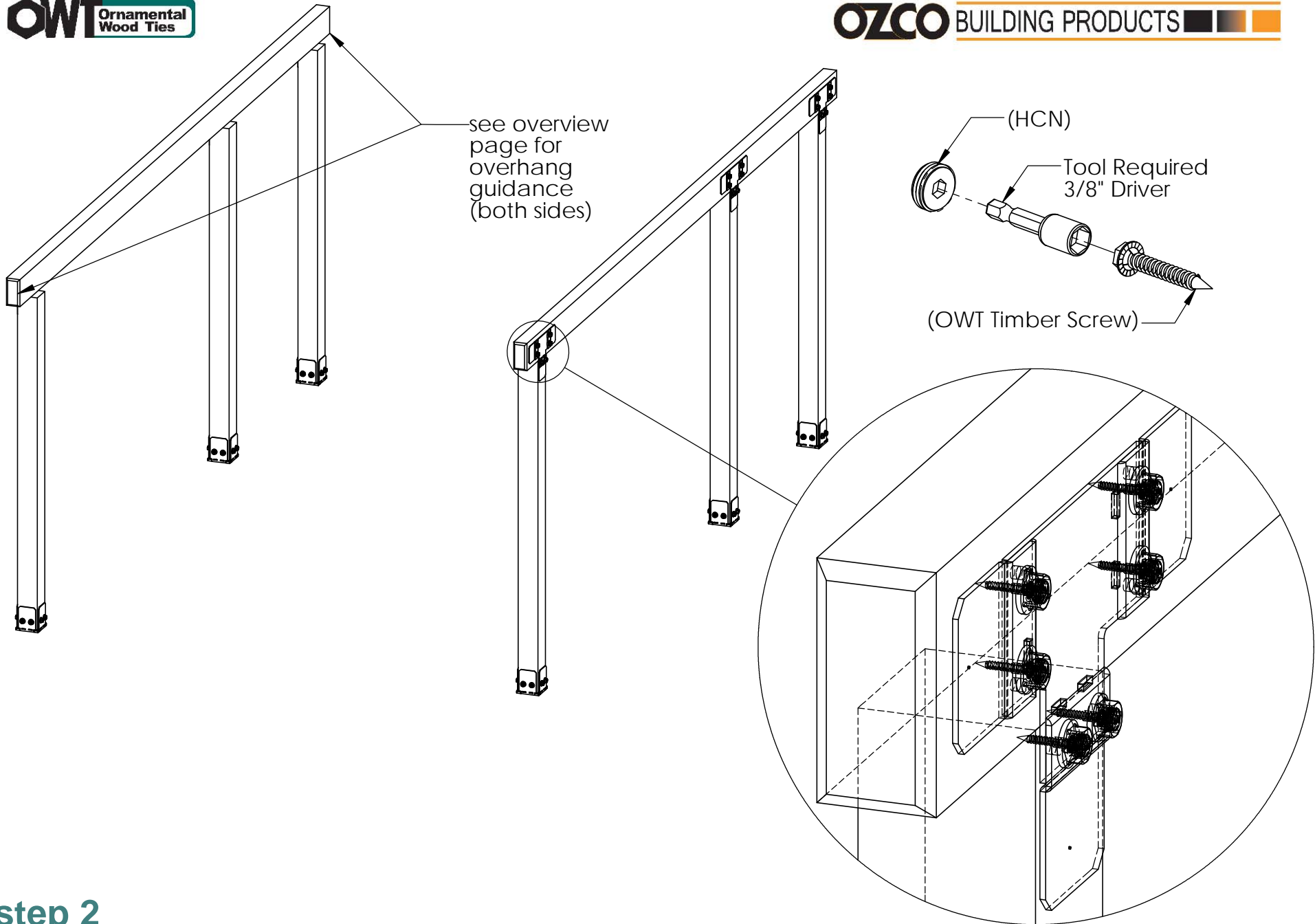
if site is not level, see Ozco Site Leveling instruction





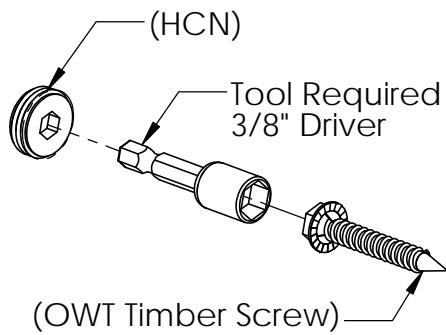
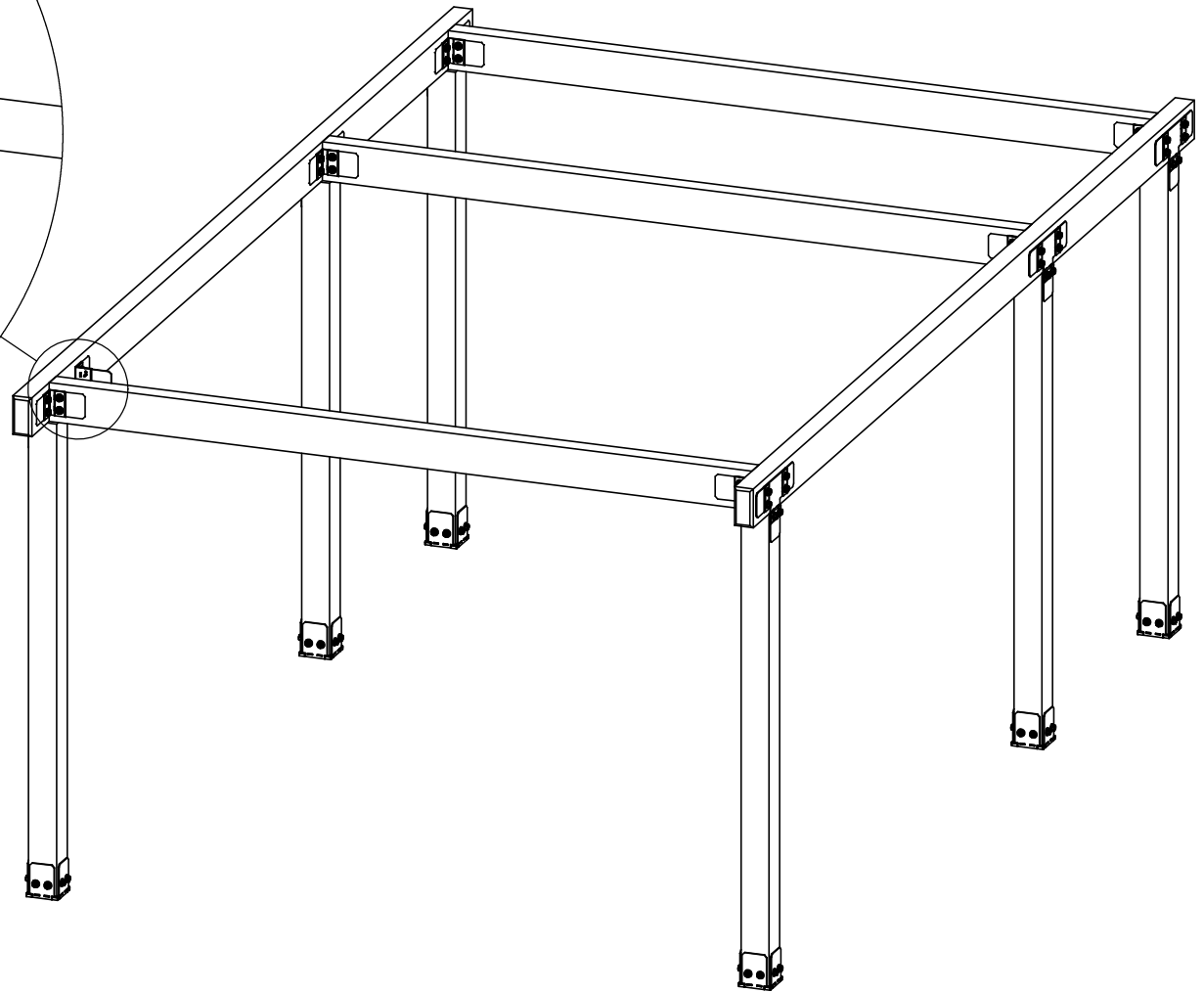
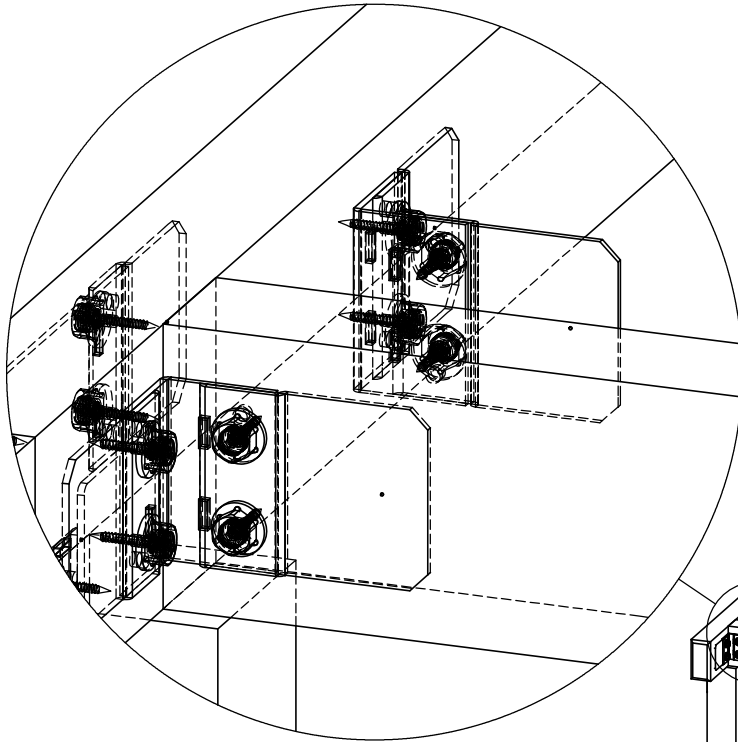
step 1

OZCO Project #218 IW - Cabana & Covered
Patio Area



step 2

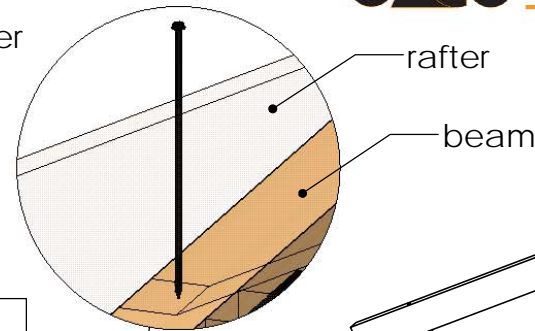
OZCO Project #218 IW - Cabana & Covered Patio Area



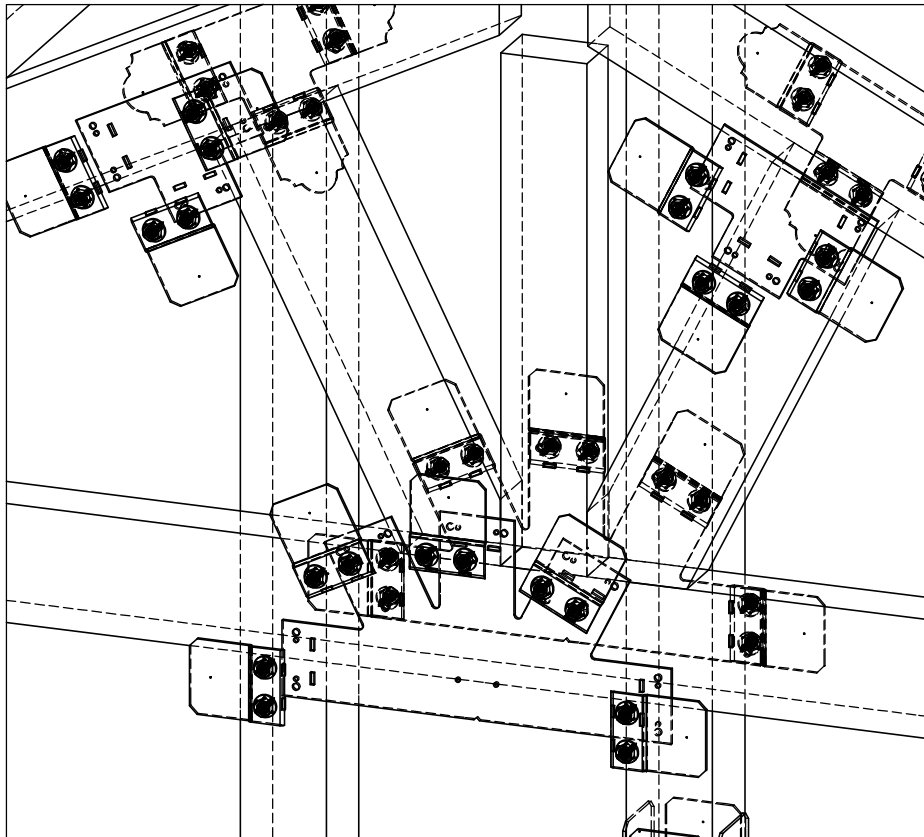
step 3

OZCO Project #218 IW - Cabana & Covered
Patio Area

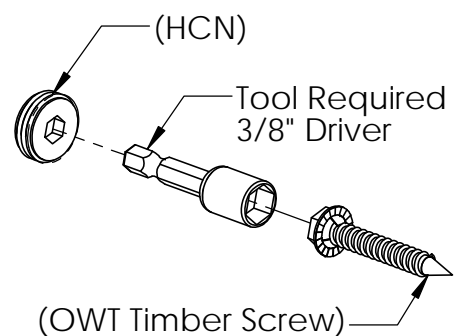
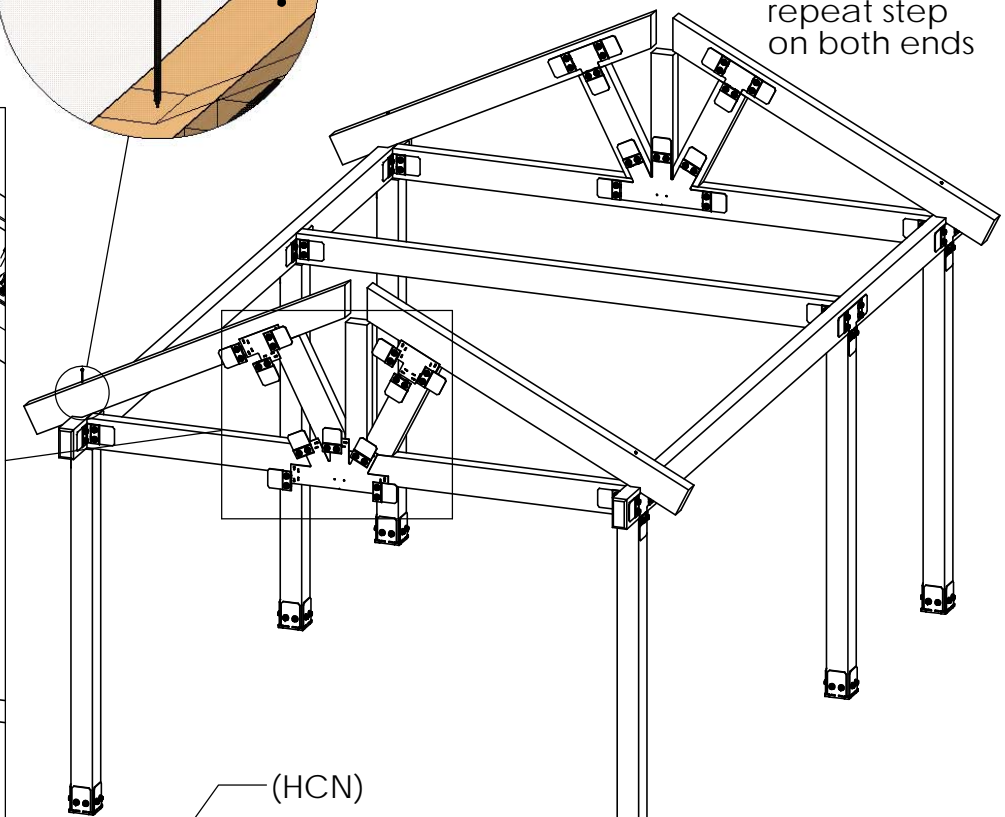
install on centerline of beam and rafter



repeat step on both ends



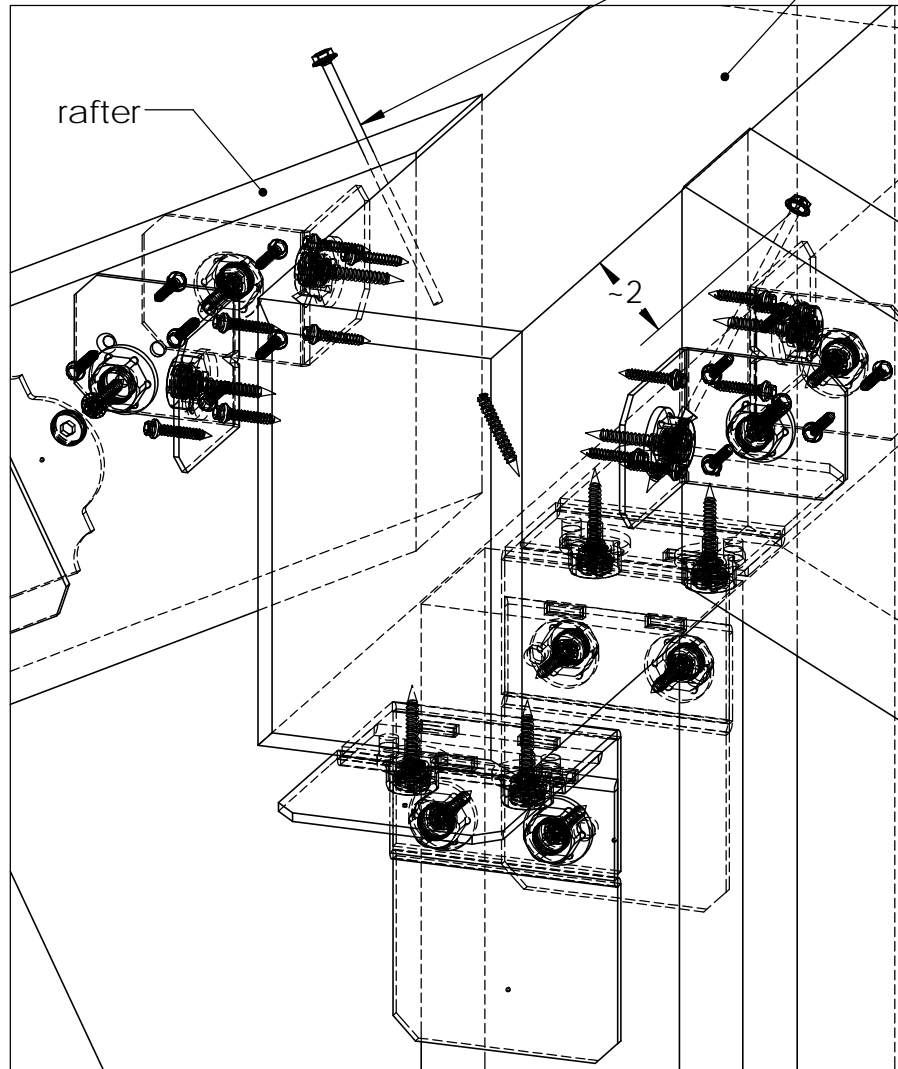
connectors repeat on both sides of Truss



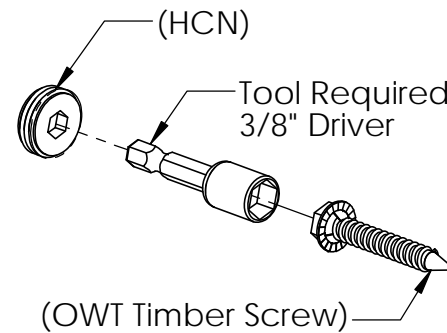
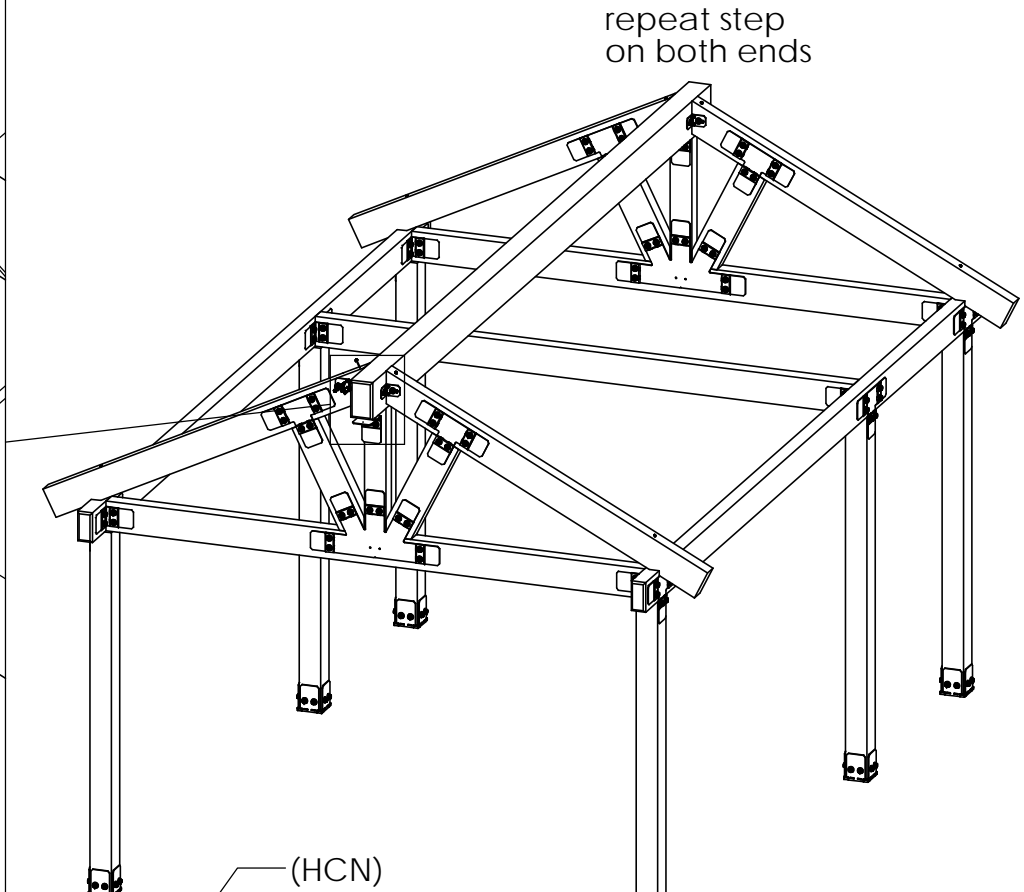
step 4

OZCO Project #218 IW - Cabana & Covered Patio Area

install on centerline of beam and rafter



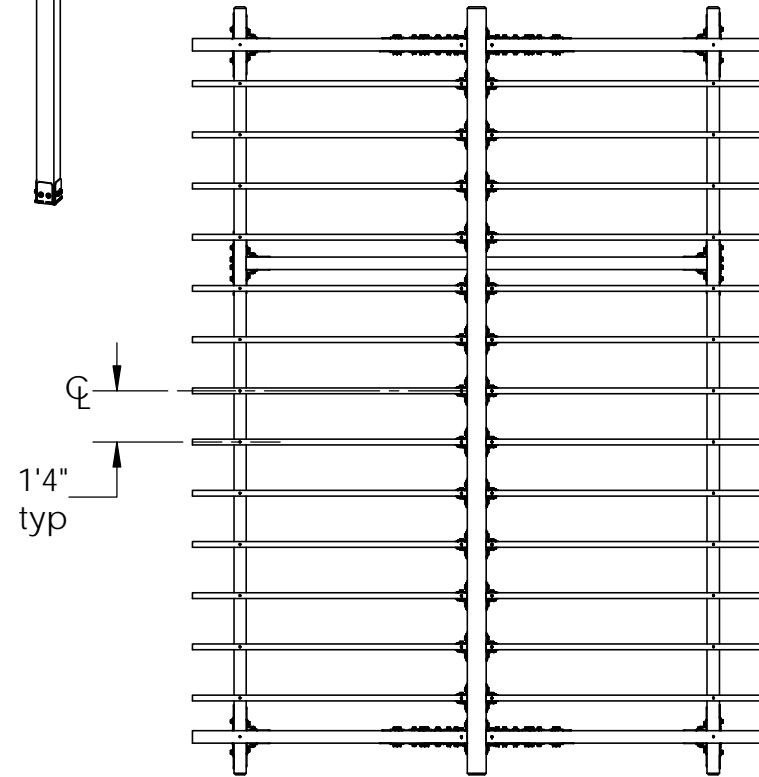
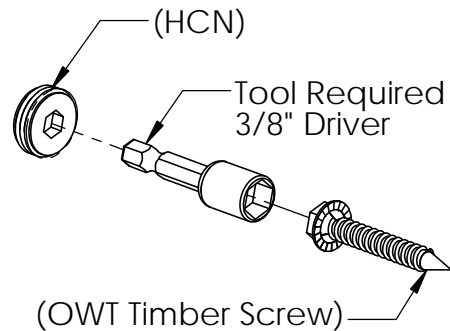
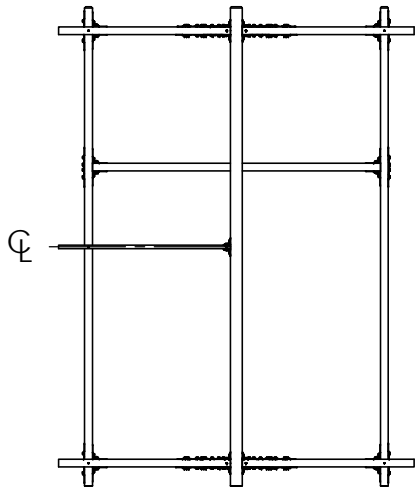
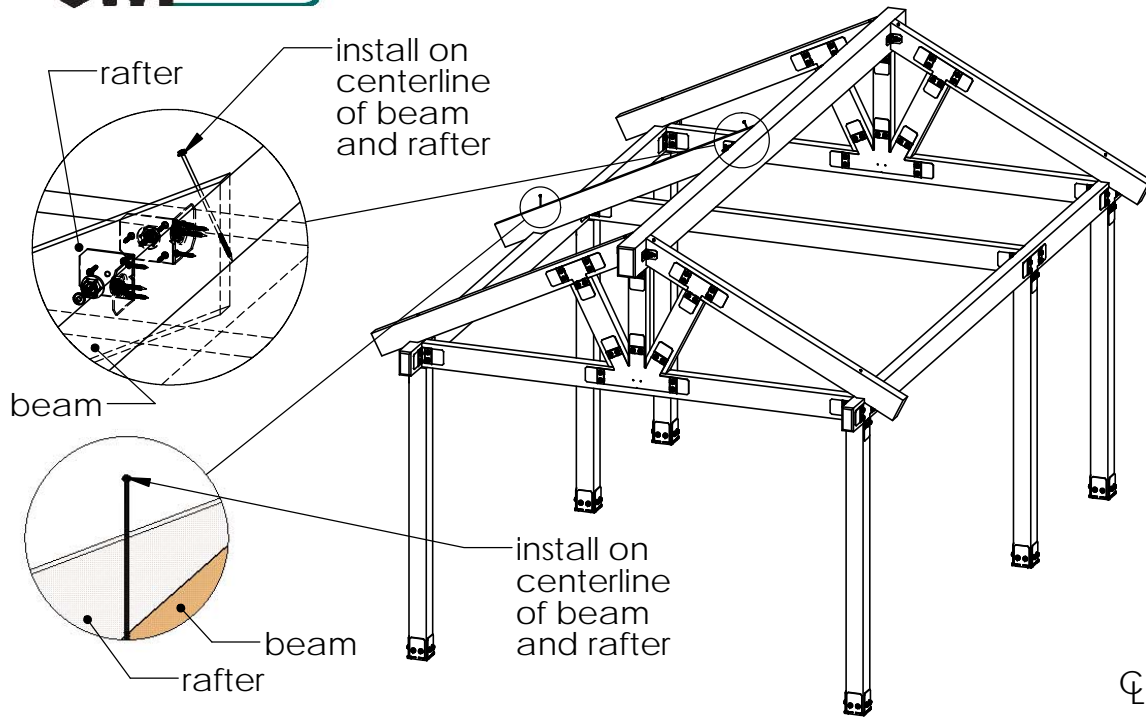
connectors repeat on both sides of beam



see overview pages for spacing

step 5

OZCO Project #218 IW - Cabana & Covered Patio Area



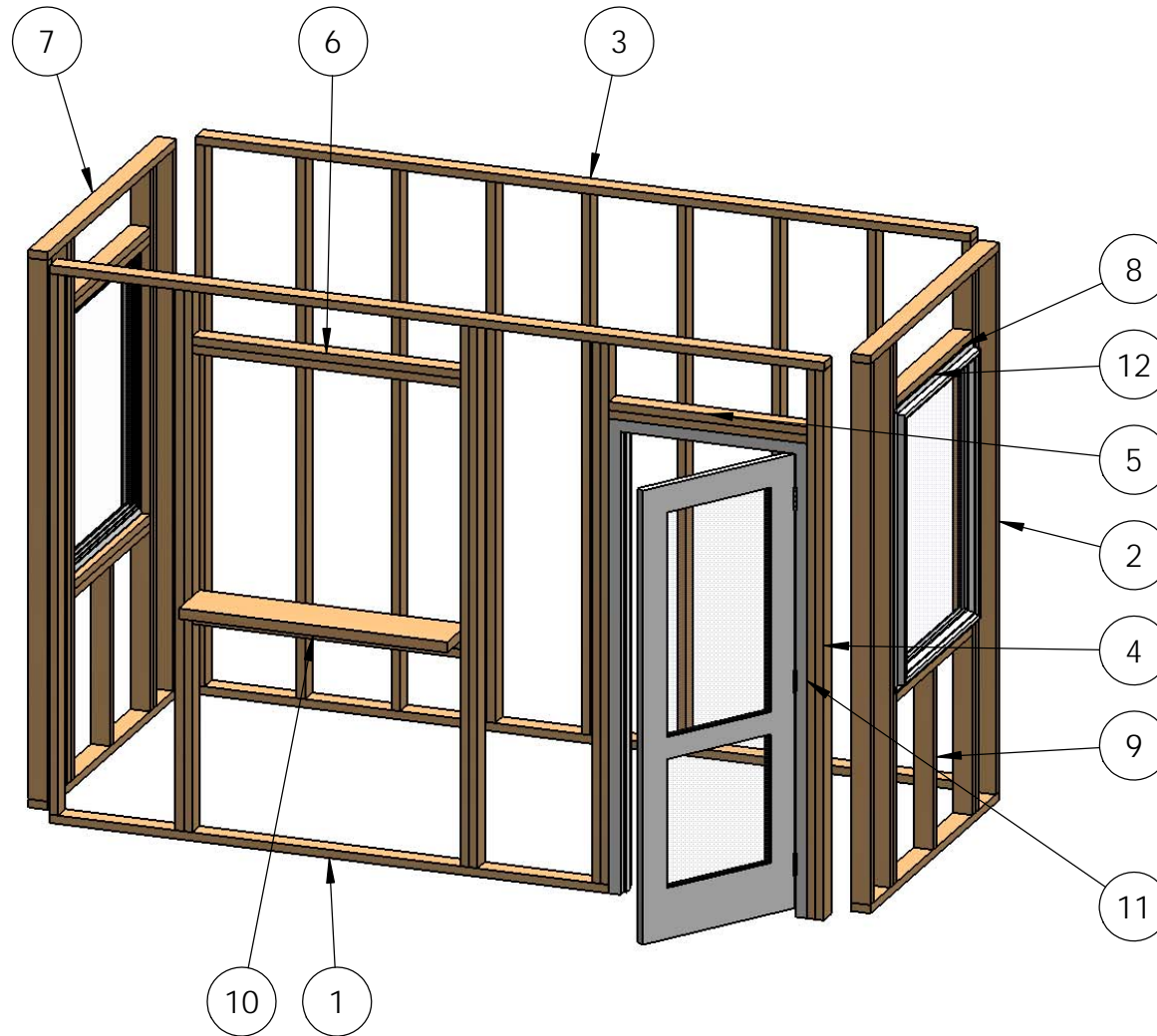
repeat rafter installation

step 6

OZCO Project #218 IW - Cabana & Covered
Patio Area

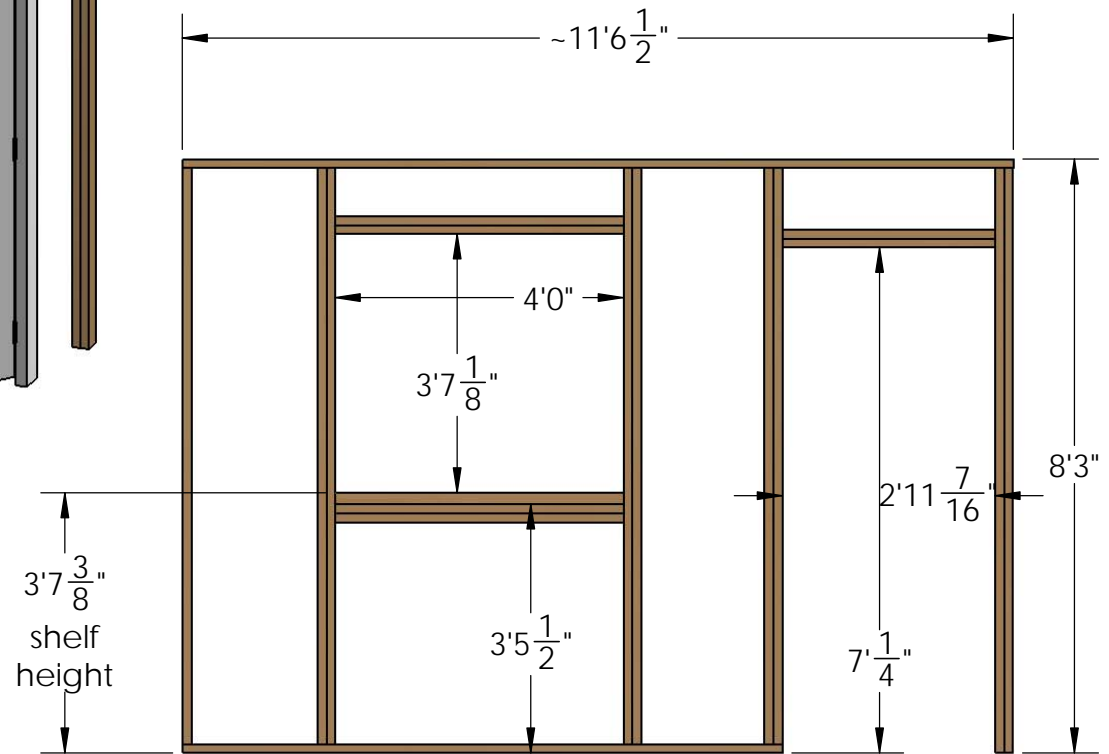
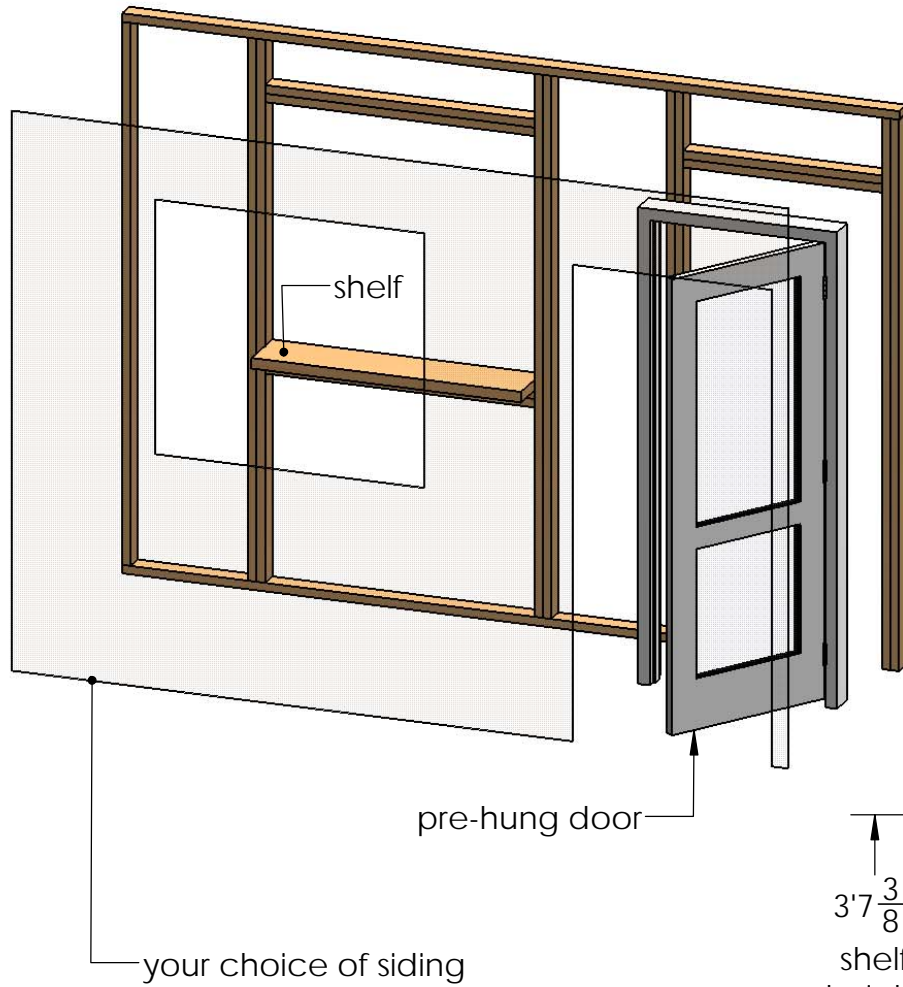


Cabana (shown translucent and without structure for clarity)



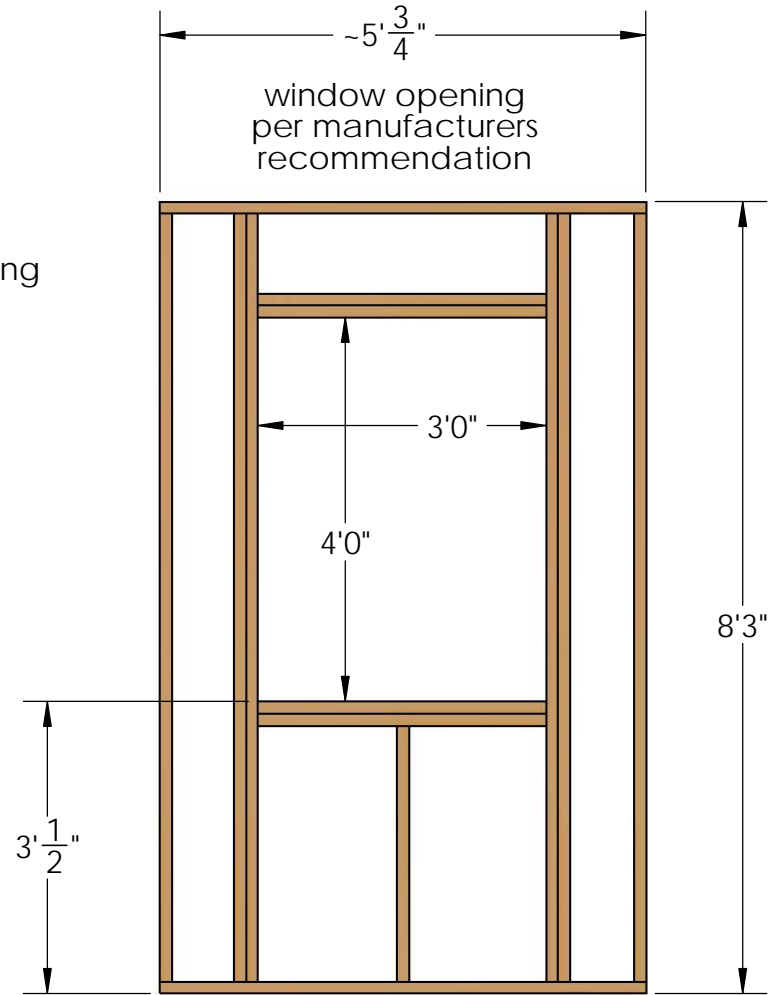
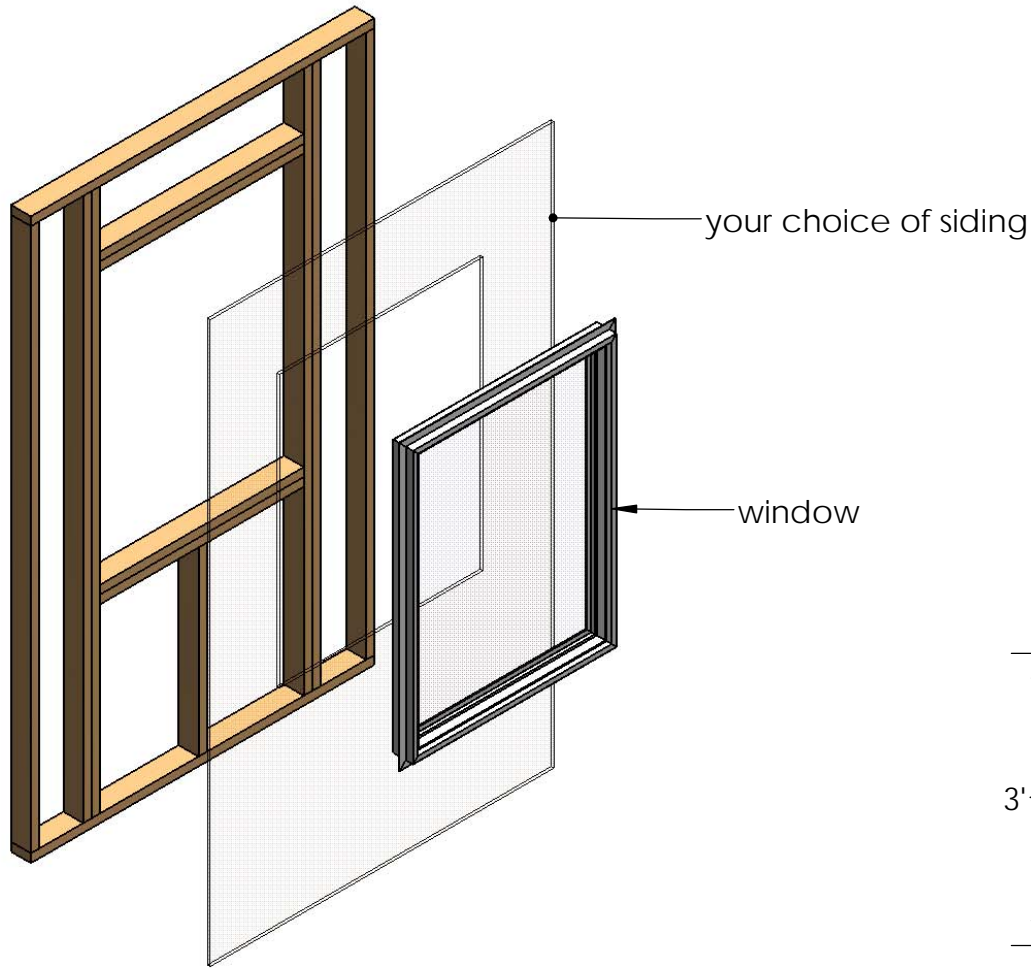
ITEM NO.	Cabana only/QTY.	PART NUMBER	DESCRIPTION
1	1	2x4 Board	2x4x8'4"
2	28	2x4 Board	2x4x8'0"
3	3	2x4 Board	2x4x11'6 1/2"
4	2	2x4 Board	2x4x8'1 1/2"
5	2	2x4 Board	2x4x2'11 7/16"
6	4	2x4 Board	2x4x4'0"
7	4	2x4 Board	2x4x5' 3/4"
8	8	2x4 Board	2x4x3'0"
9	2	2x4 Board	2x4x2'8"
10	1	2x10 Cedar Board	2x10x4'0"
11	1	DOOR SET	
12	2	Window, Vinyl	

Cabana is built between structure posts (not shown)

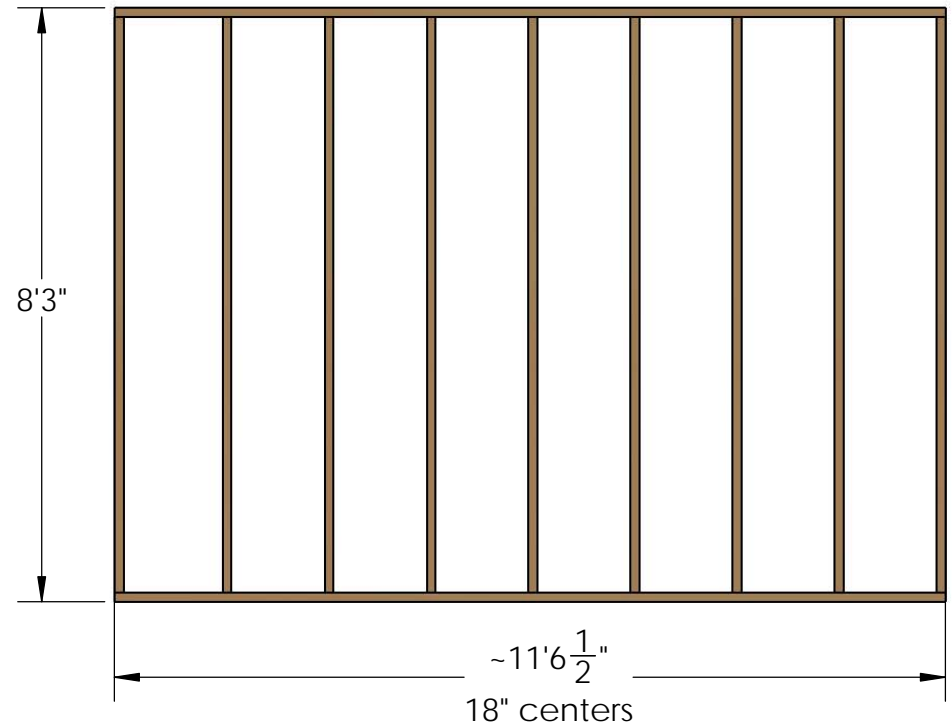
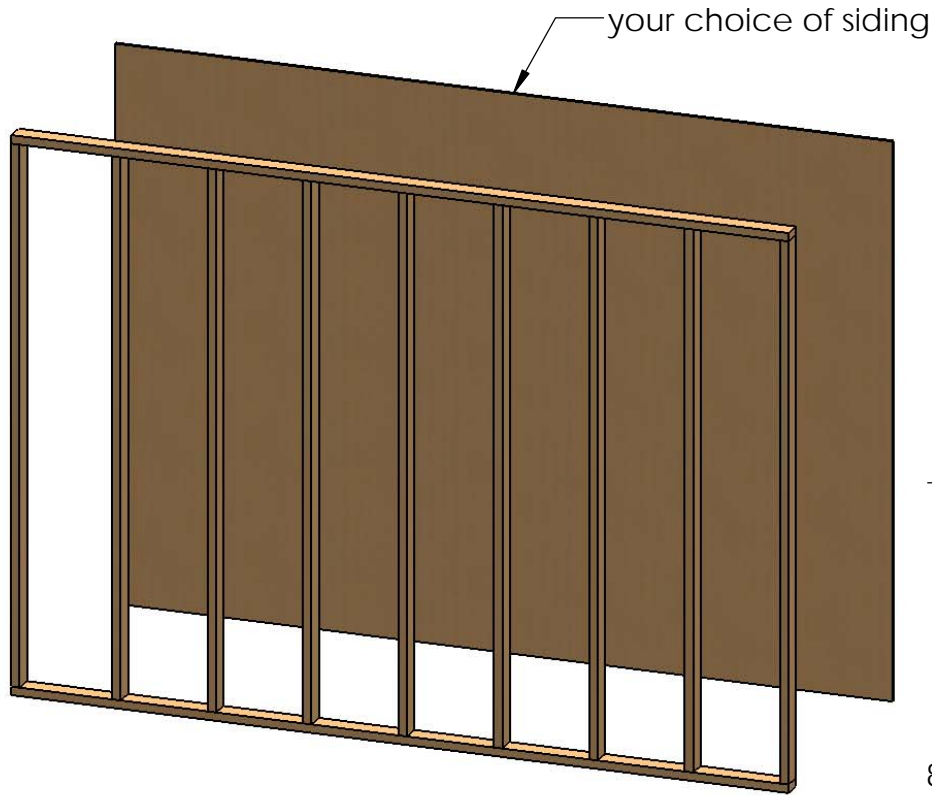


note double board locations

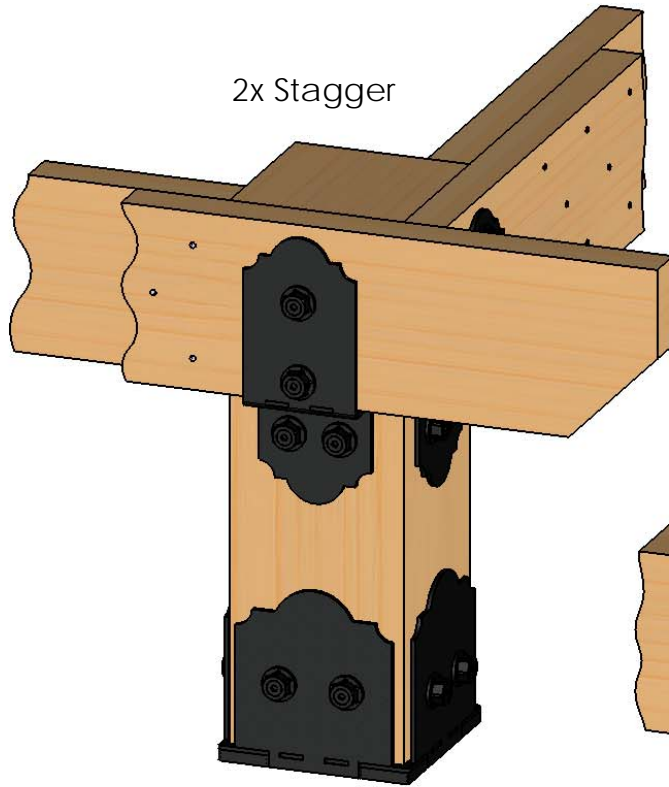
door opening per manufacturers recommendation



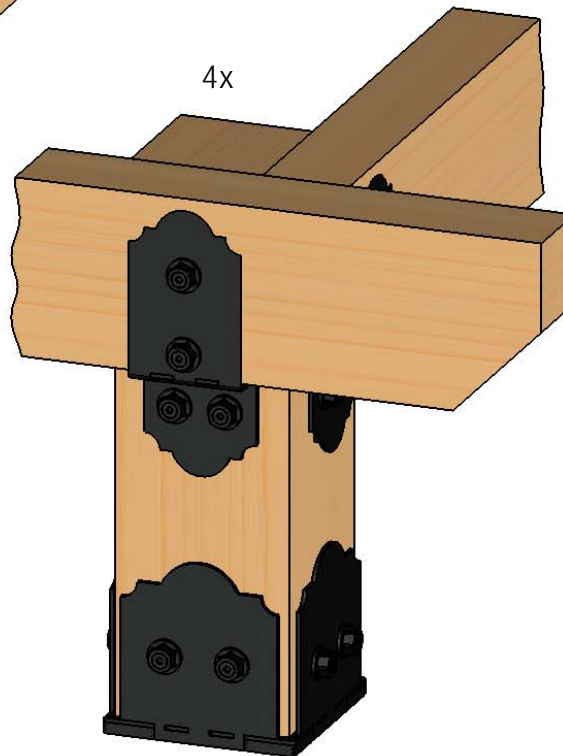
note double board locations
both sides of Cabana are the same



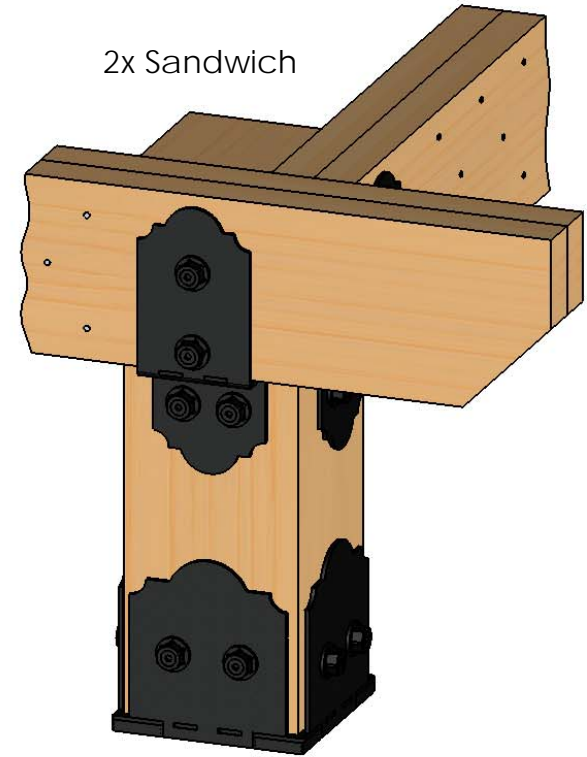
Ian's Concept



2x Stagger



4x



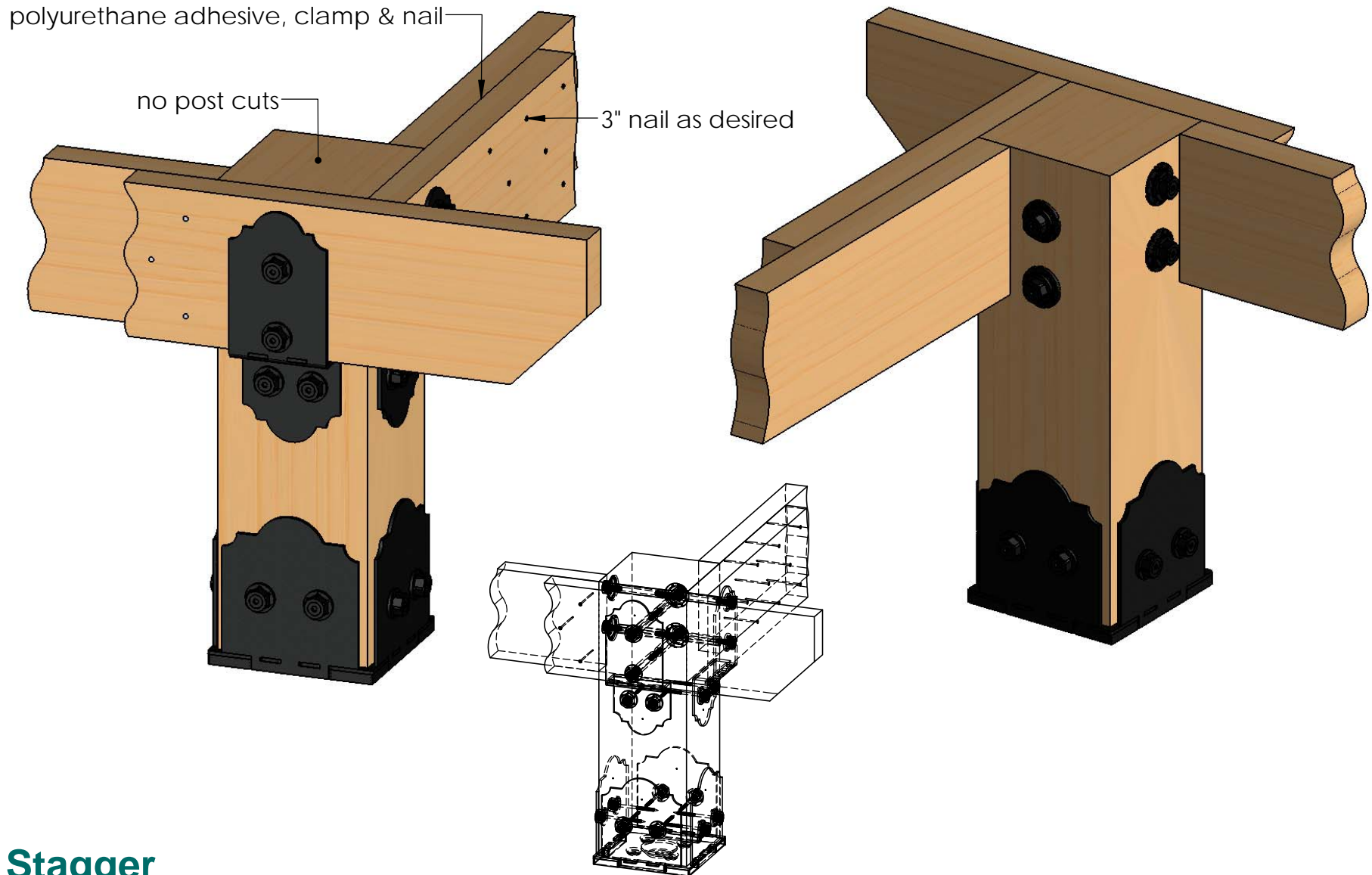
2x Sandwich

4x Beam Installation

- 3 style choices
- When 4x lumber not available or cost effective
- see subsequent pages for details on each style

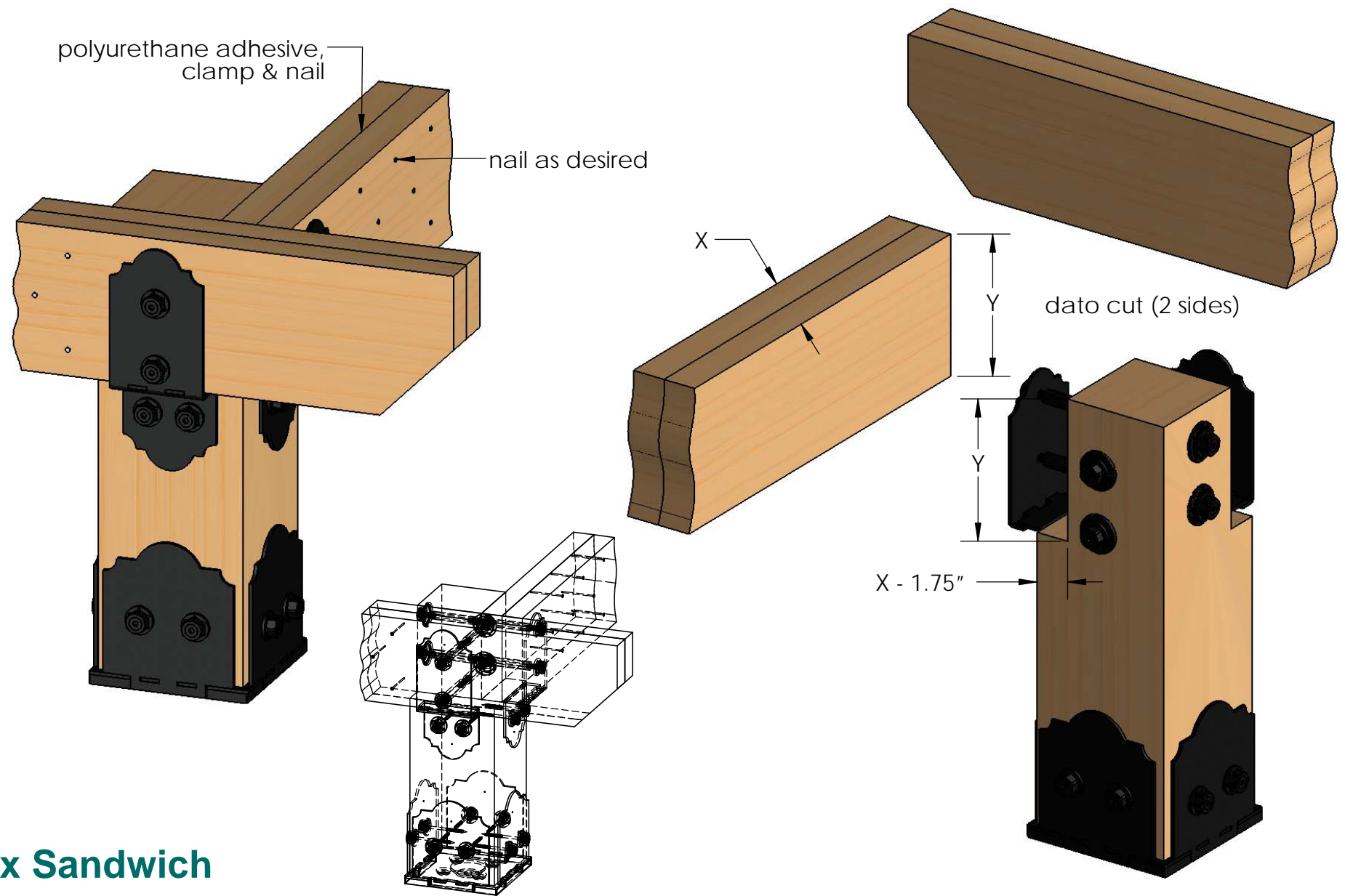
see product installation instructions for hardware installation





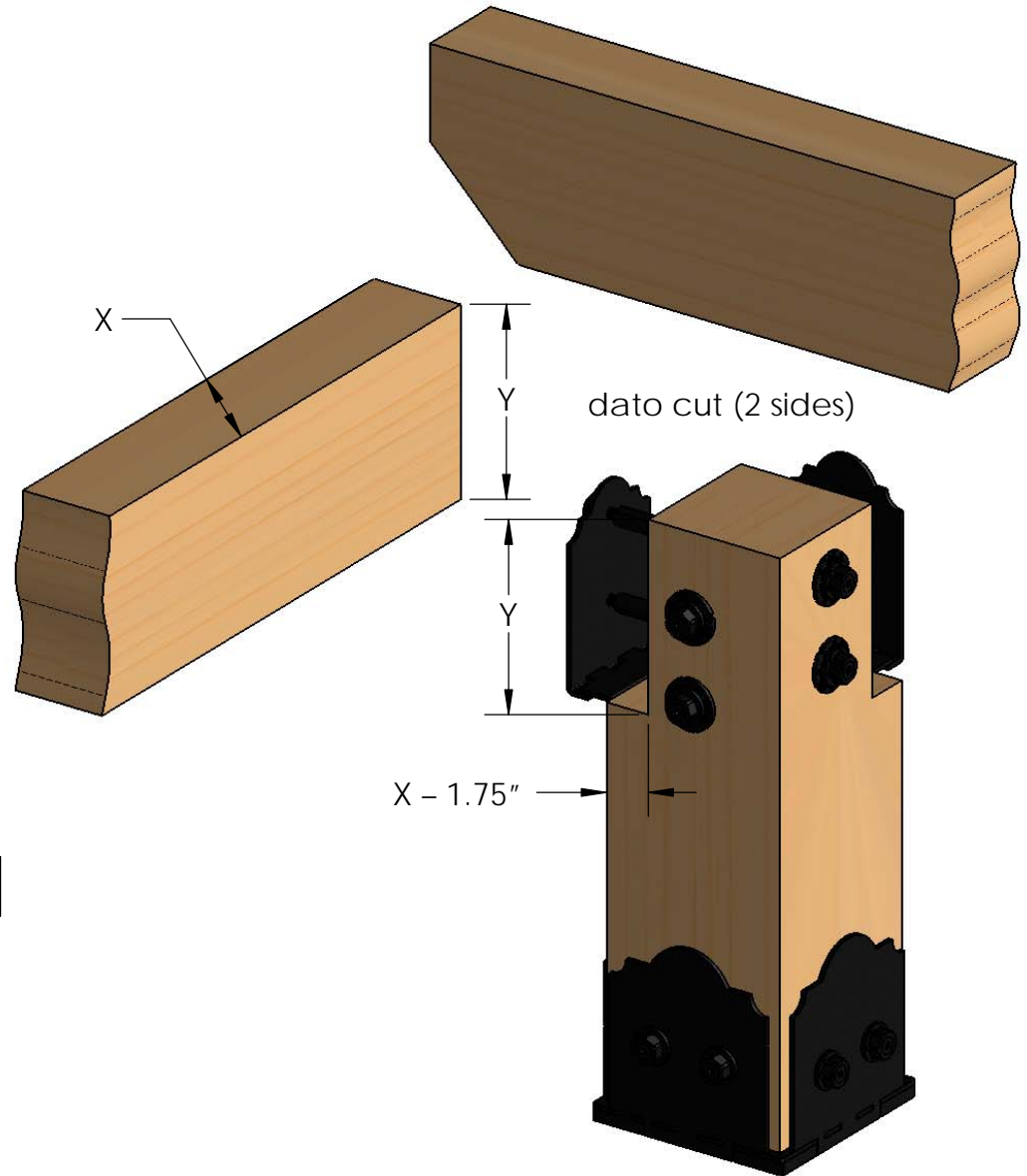
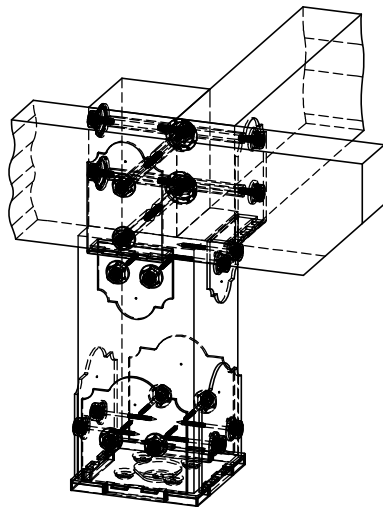
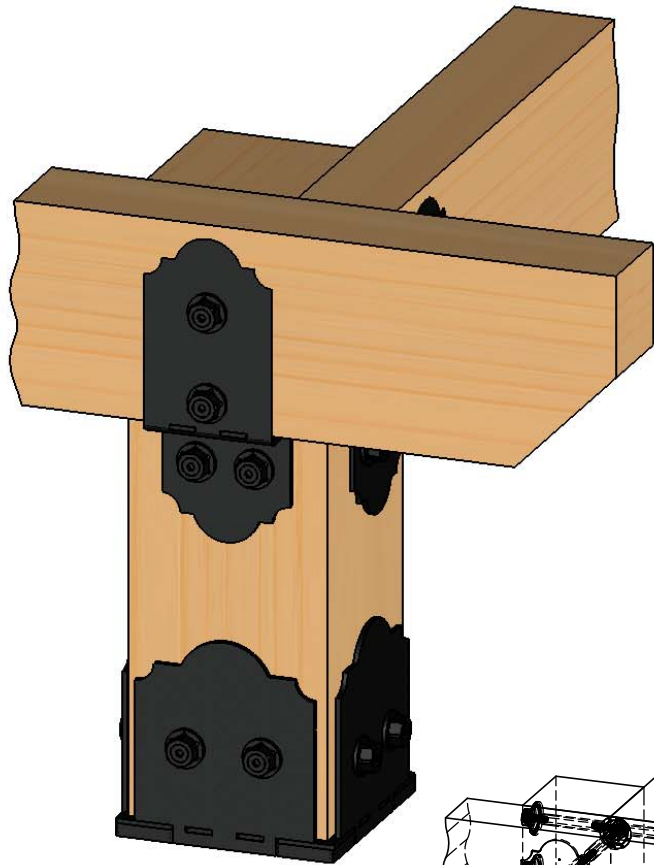
2x Stagger

Ian's Concept



2x Sandwich

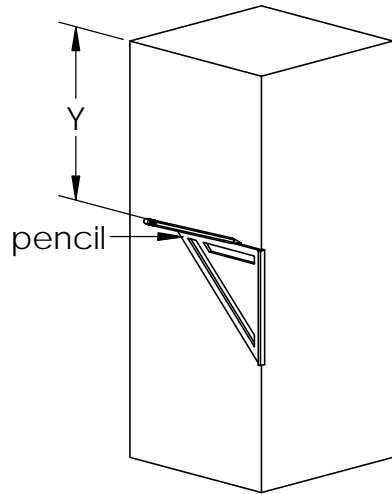
Ian's Concept



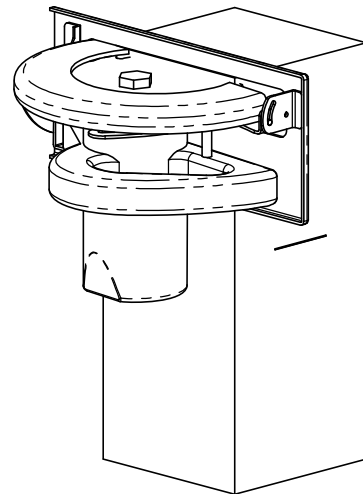
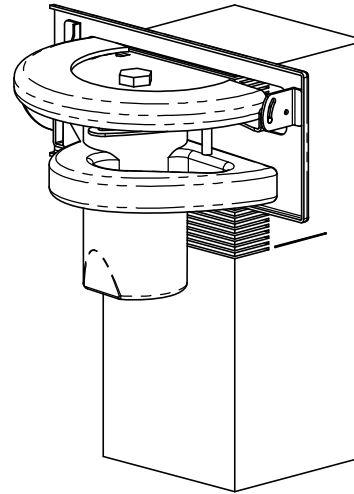
4x

Ian's Concept

mark ledge location

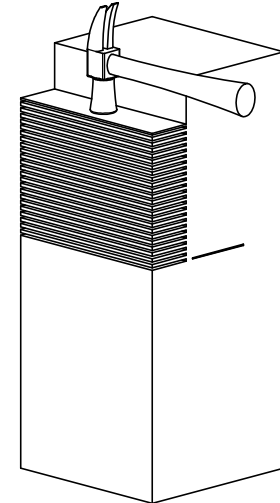


multiple cuts
approximately 1/4"
apart to mark



set saw cut depth;
start cuts 1/4" from top

remove pieces



Dato cut details

Ian's Concept