

DESIGN

PURCHASE

CONSTRUCT

ENJOY

OZCO Project #251 - Neighbor Friendly Wood Privacy Fence

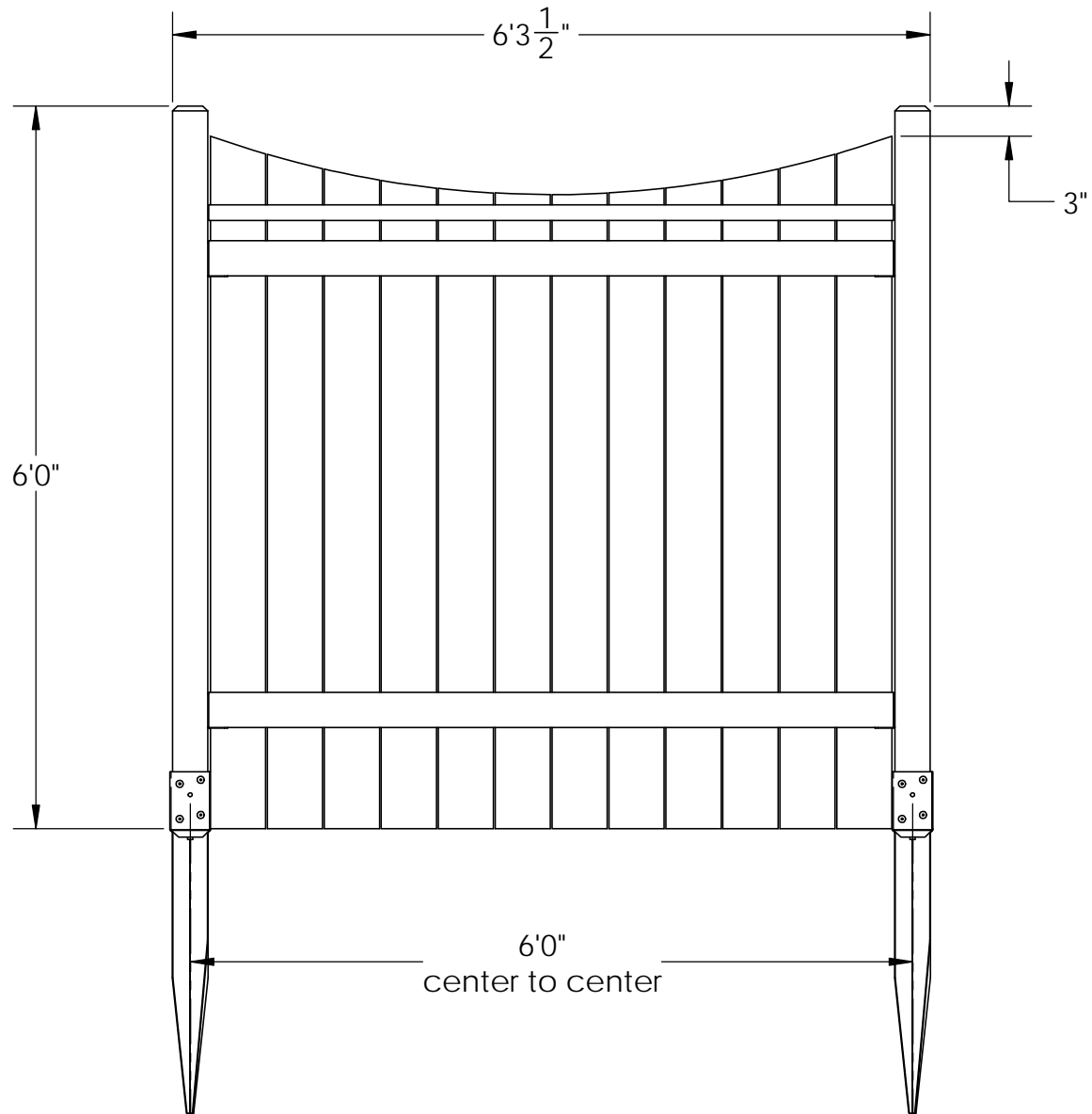


instant post holes

OZCO BUILDING PRODUCTS

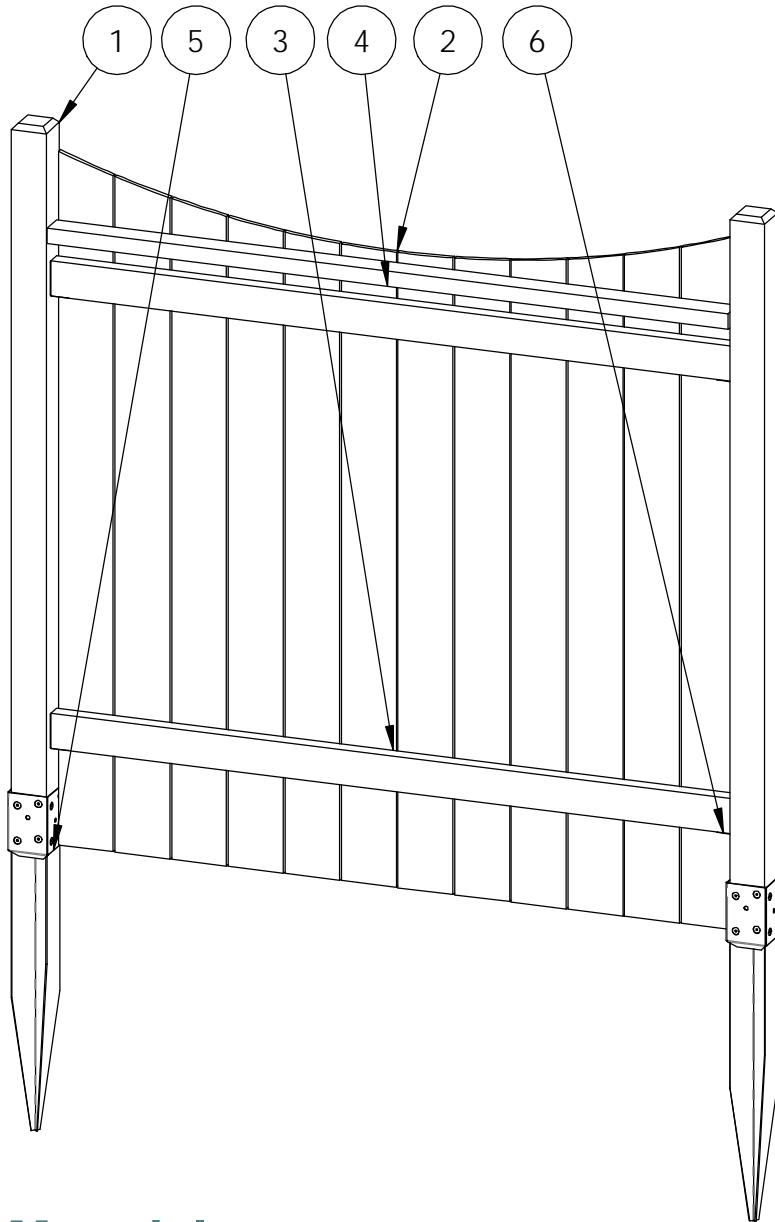
OZCO Project #251 - Neighbor Friendly Wood Privacy Fence

V2.00 - Installation Instructions, Specifications and Project Plans are effective 2/14/2017 . This information is updated periodically and should not be relied upon after 2 years from 2/14/2017 . Please visit OZCOBP.com to get current information.



Overview

OZCO Project #251 - Neighbor Friendly Wood Privacy Fence



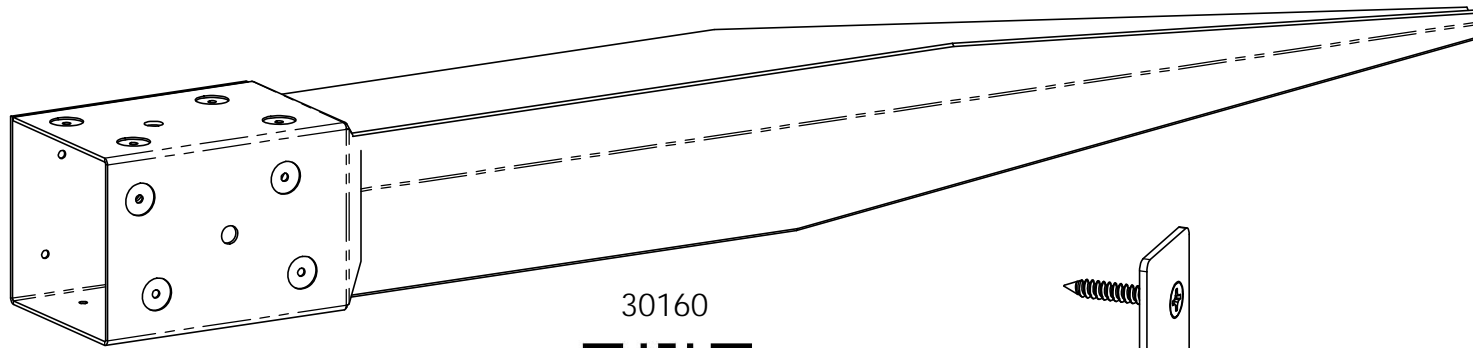
Material List

| QTY. | PART NUMBER | DESCRIPTION |
|------|-------------|----------------------|
| 2 | 30160 | T4-850, 34", 4X4 |
| 2 | 50120 | Wood to Wood Bracket |
| 2 | 4x4x6L | 4x4x6 |
| 12 | 1x6x6L | 1x6x6 |
| 2 | 2x4x6L | 2x4x6 |
| 1 | 2x3x6L | 2x3x6 |

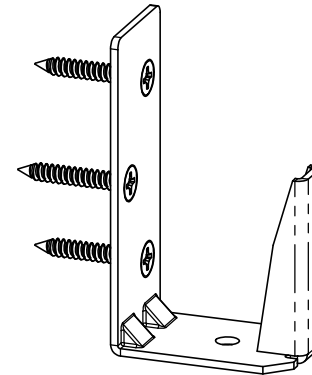
| ITEM NO. | QTY. | PART NUMBER | DESCRIPTION |
|----------|------|-------------|-------------------------------|
| 1 | 2 | 4x4 Post | 4x4x6'0" |
| 2 | 12 | 1x6 Board | 1x6x6'0" |
| 3 | 2 | 2x4 Board | 2x4x5'8 1/4" |
| 4 | 1 | 2x3 Board | 2x3x5'8 1/4" |
| 5 | 2 | 30160 | 34" 4X4 Post Anchor (T4-850) |
| 6 | 2 | 50120 | Wood to Wood Bracket (W2W-FB) |

Bill of Material

OZCO Project #251 - Neighbor Friendly Wood Privacy Fence

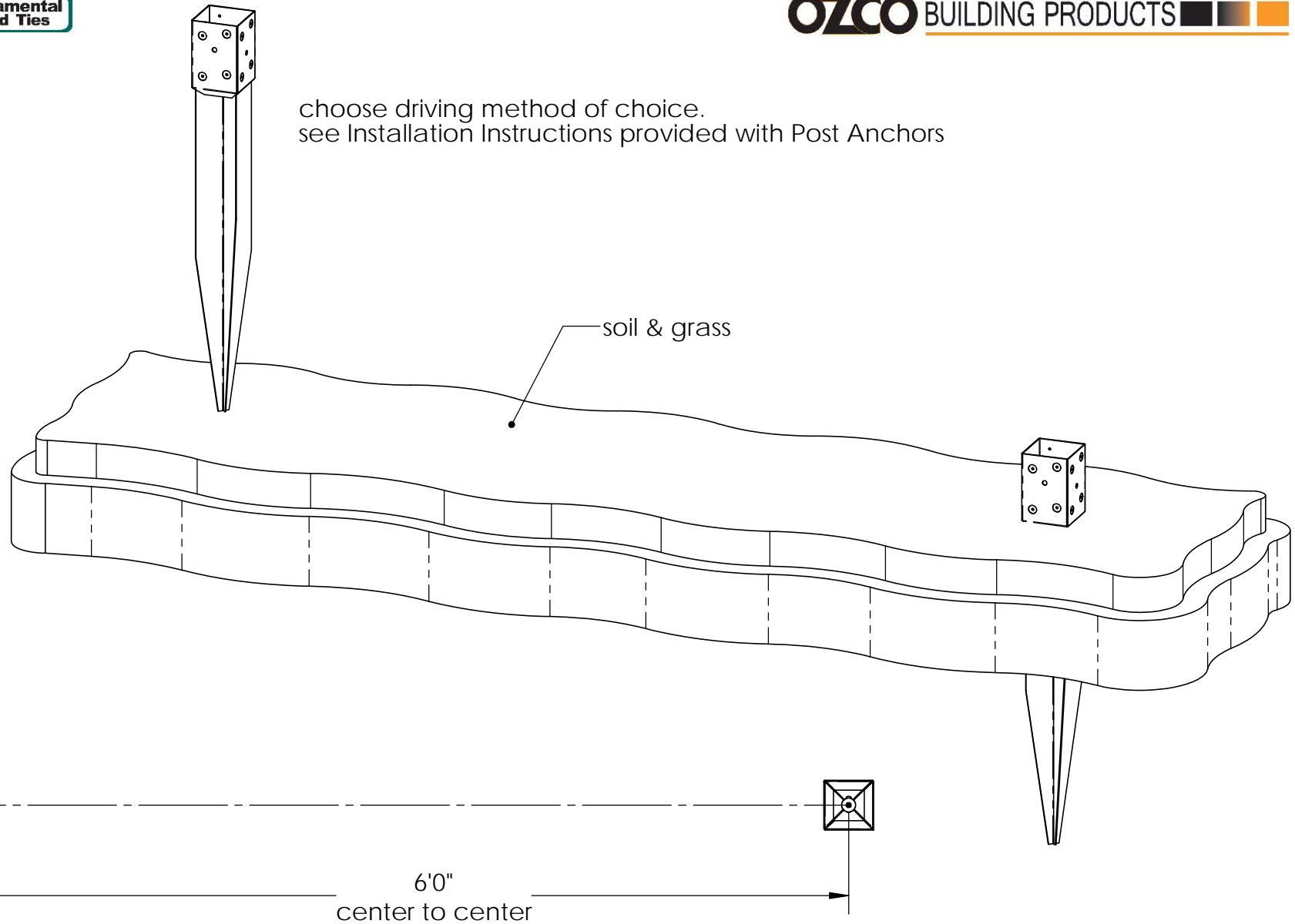


30160



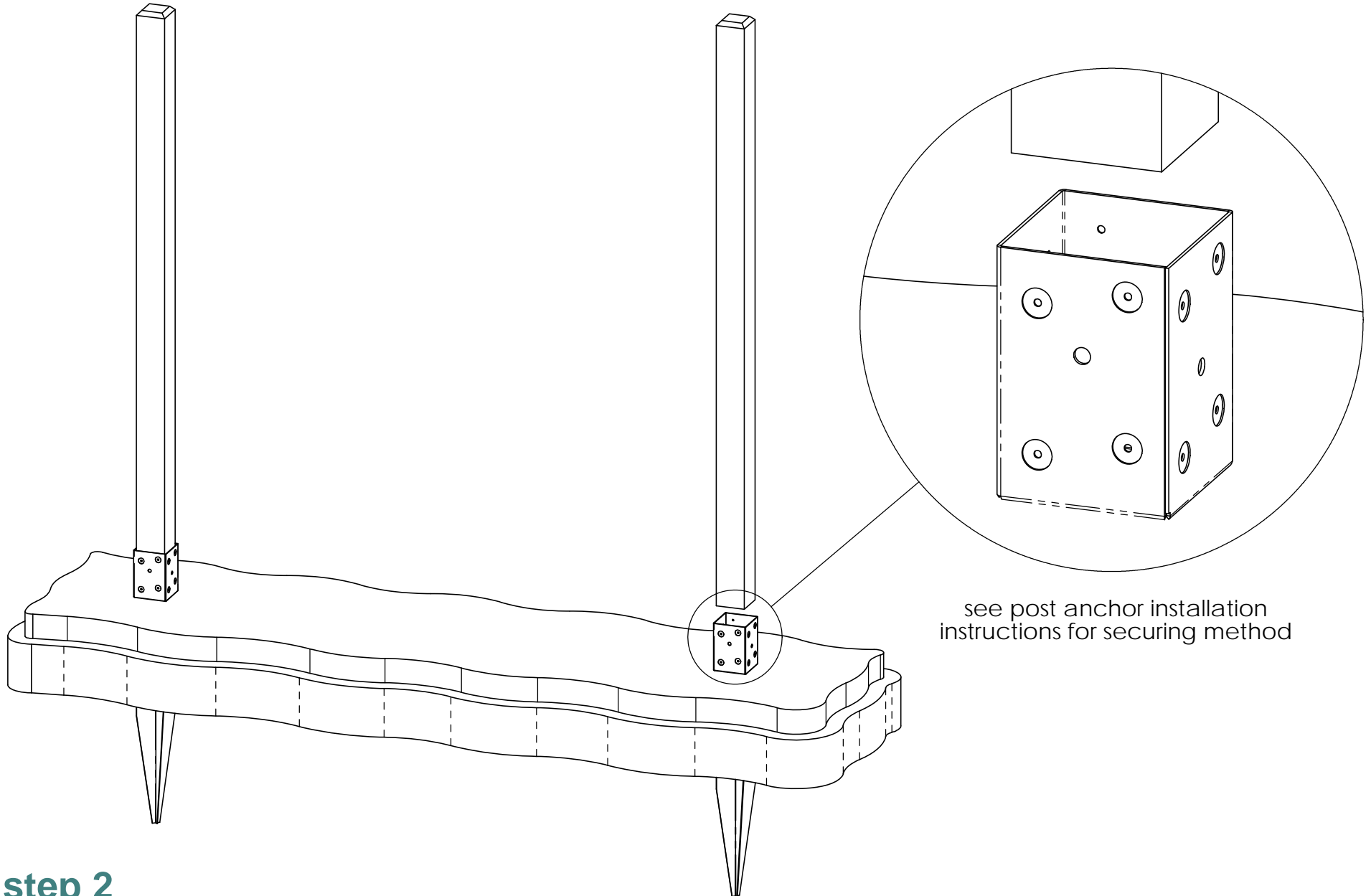
50120





step 1

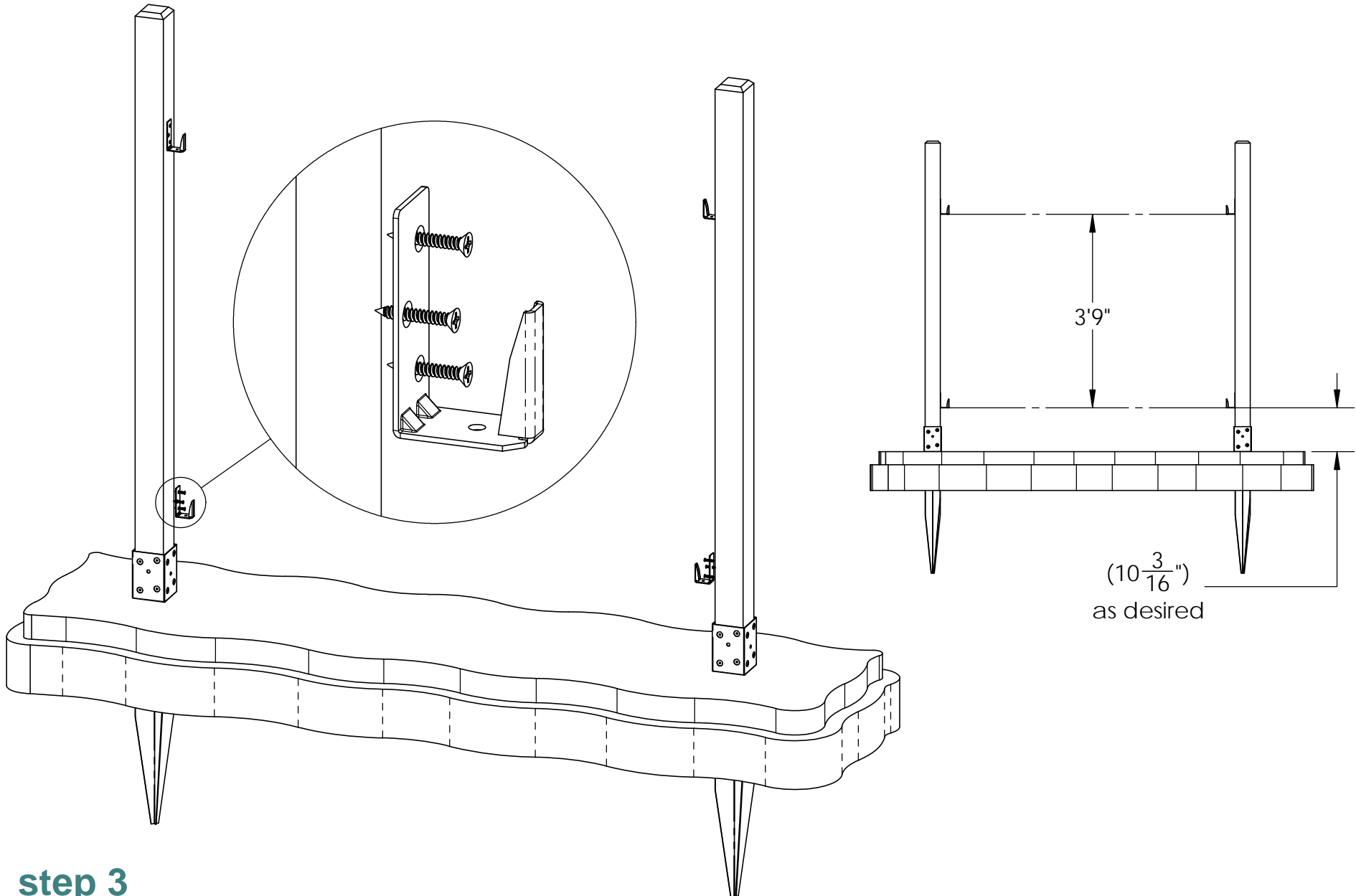
OZCO Project #251 - Neighbor Friendly Wood Privacy Fence



see post anchor installation
instructions for securing method

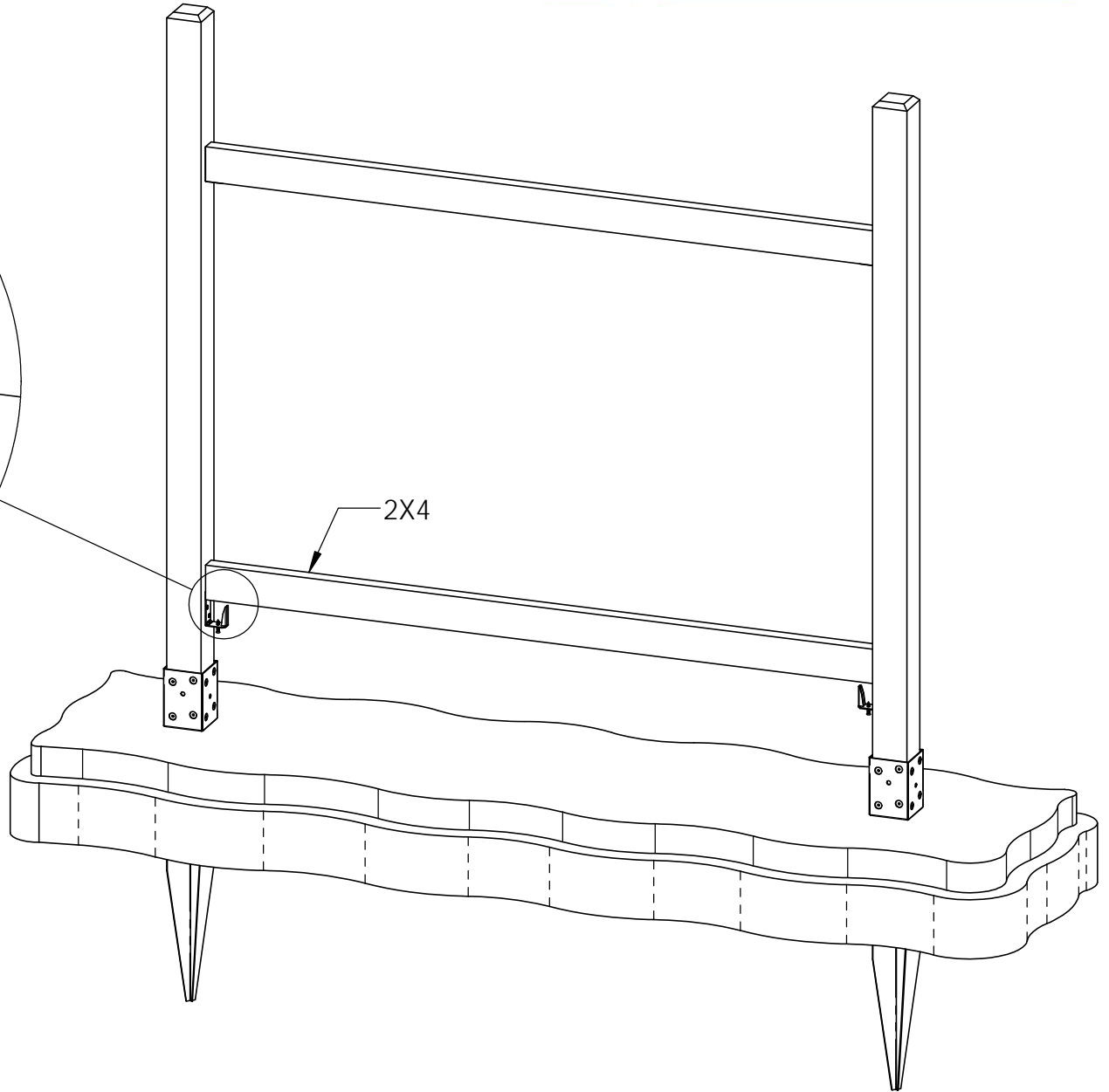
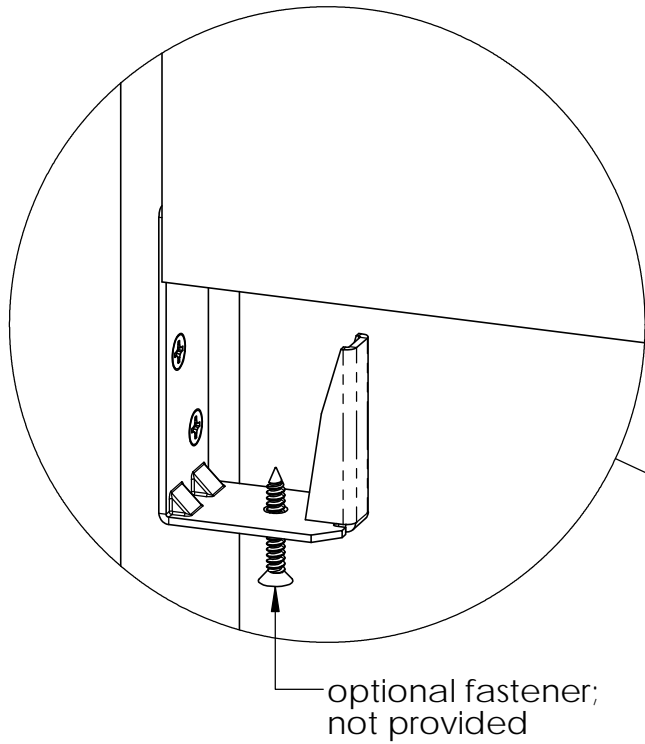
step 2

OZCO Project #251 - Neighbor Friendly Wood Privacy Fence



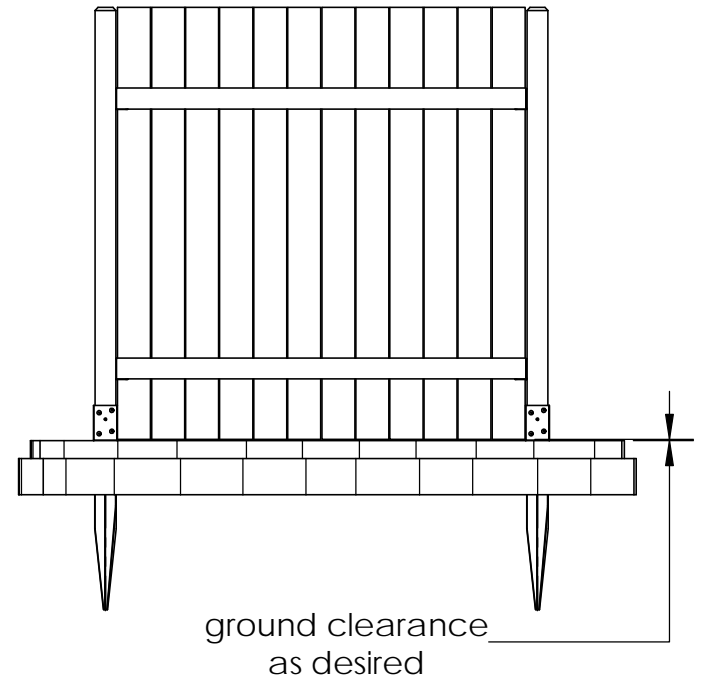
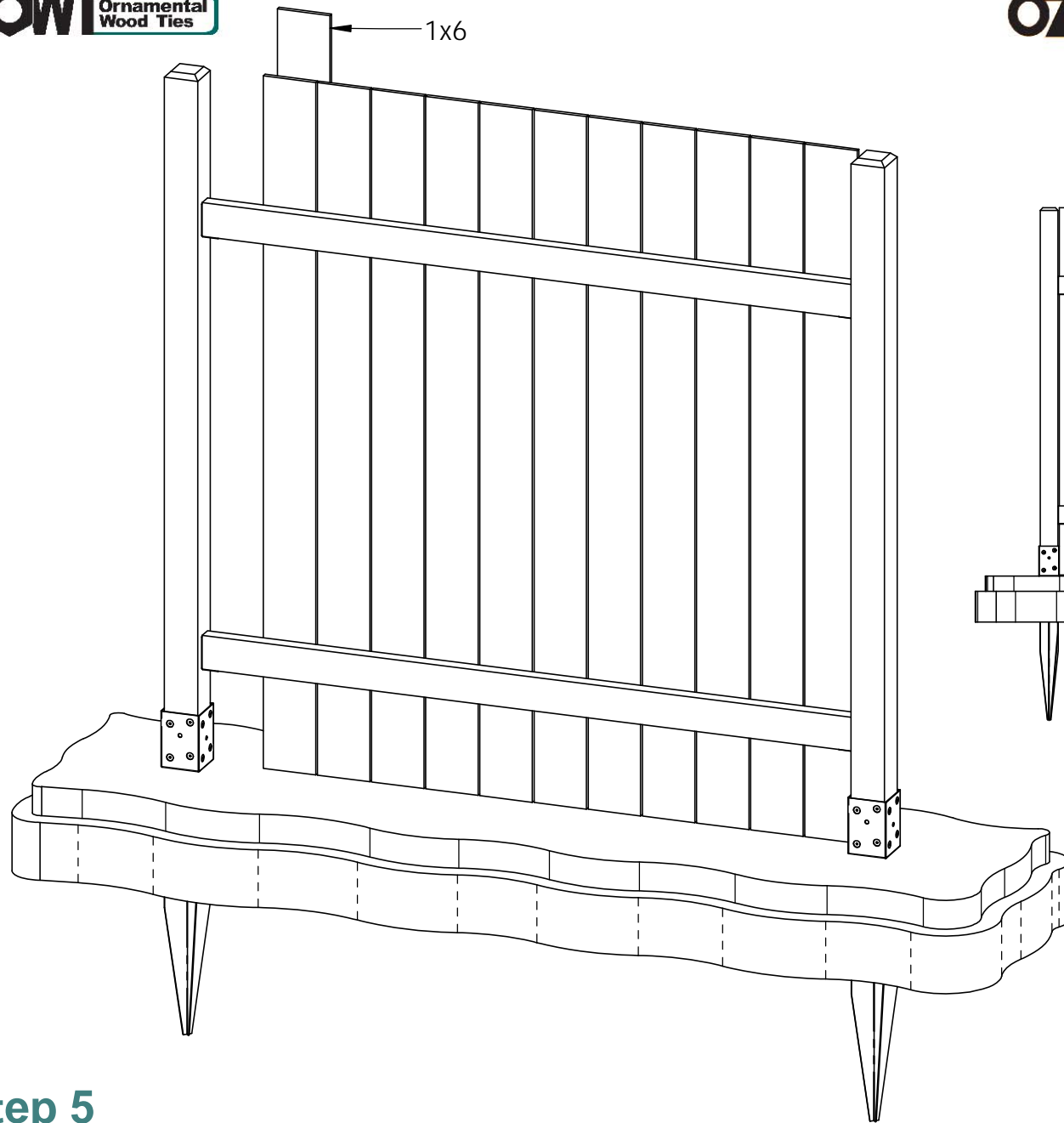
step 3

OZCO Project #251 - Neighbor Friendly Wood Privacy Fence



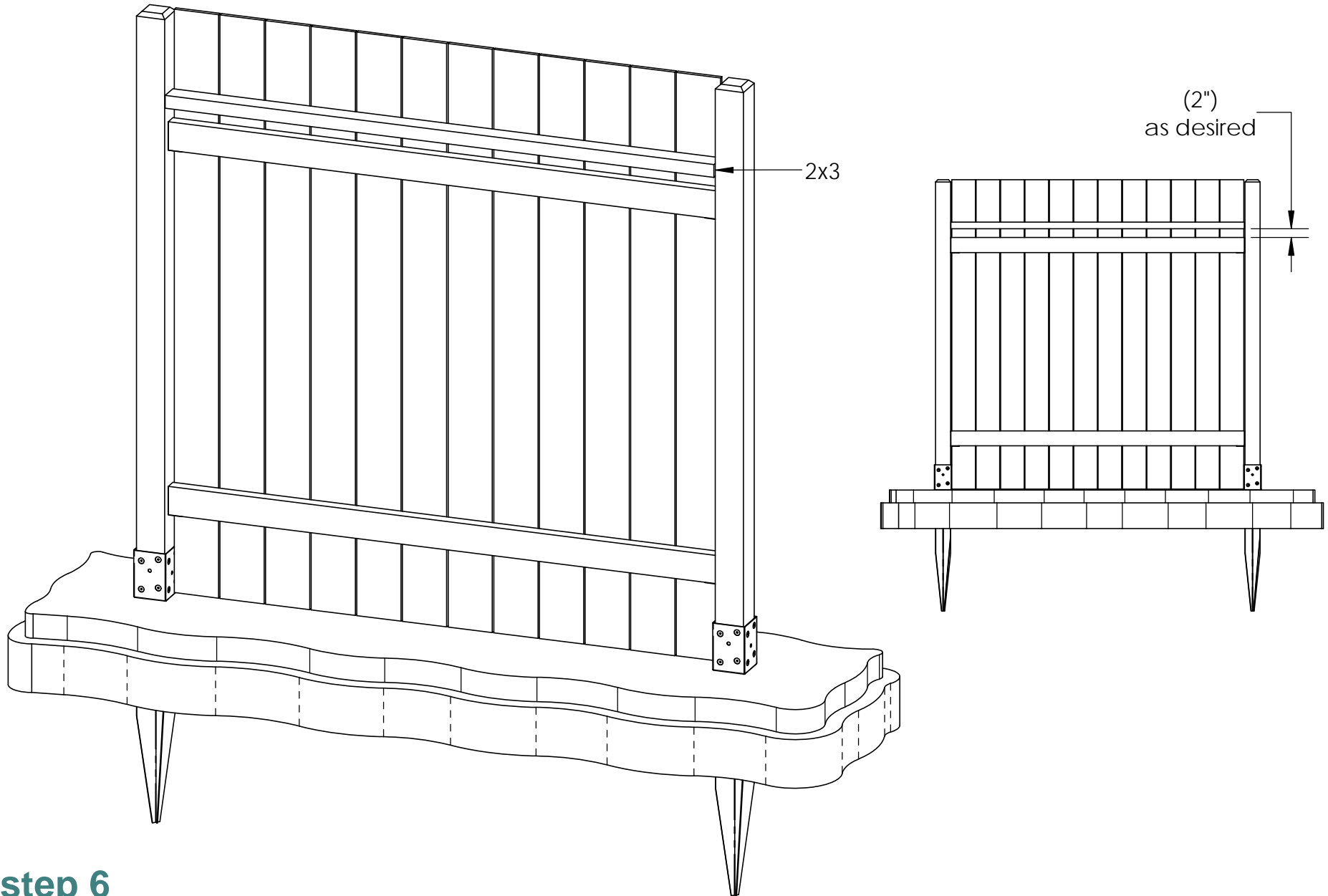
step 4

OZCO Project #251 - Neighbor Friendly Wood Privacy Fence



step 5

OZCO Project #251 - Neighbor Friendly Wood Privacy Fence

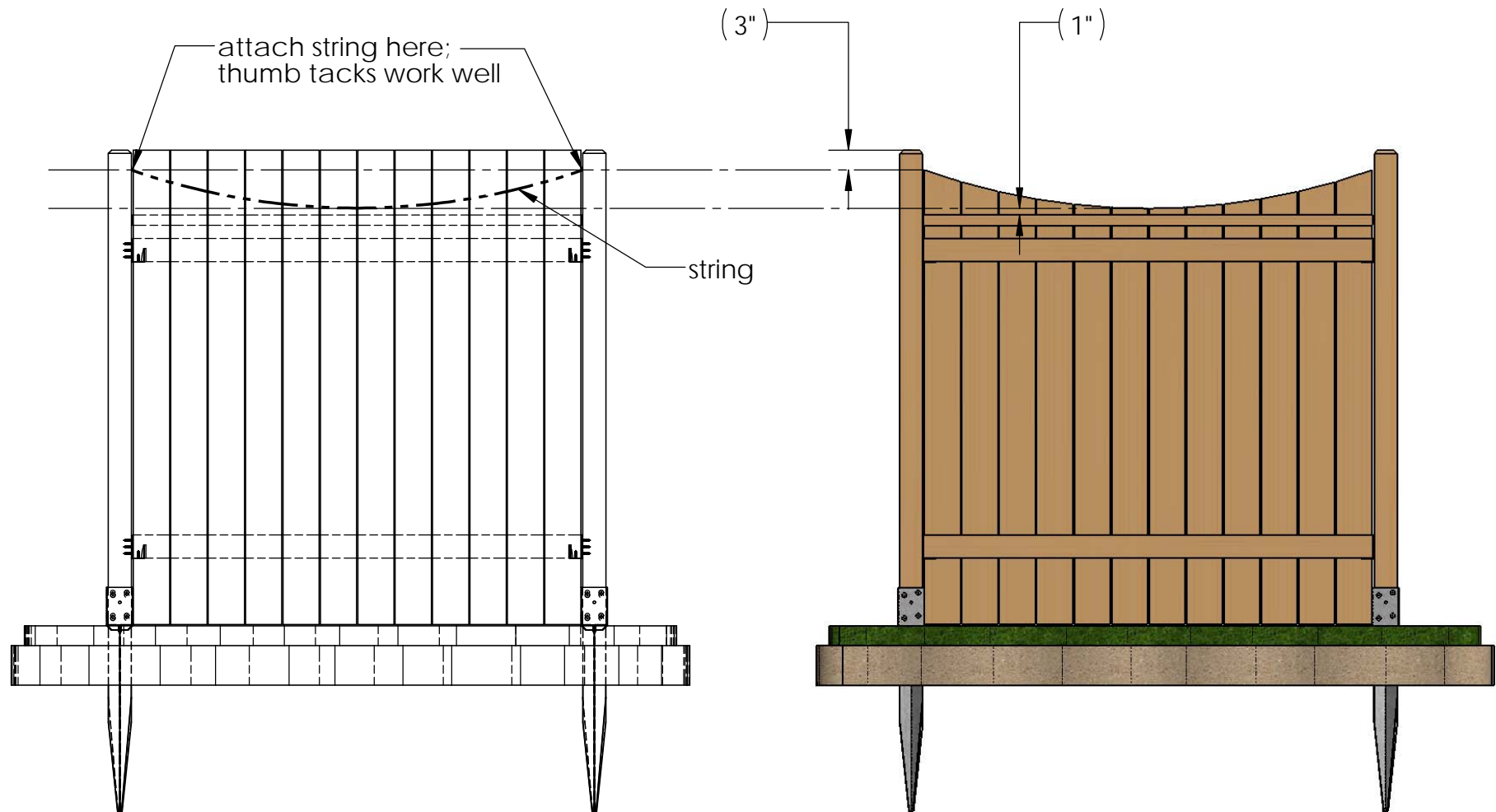


step 6

OZCO Project #251 - Neighbor Friendly Wood Privacy Fence

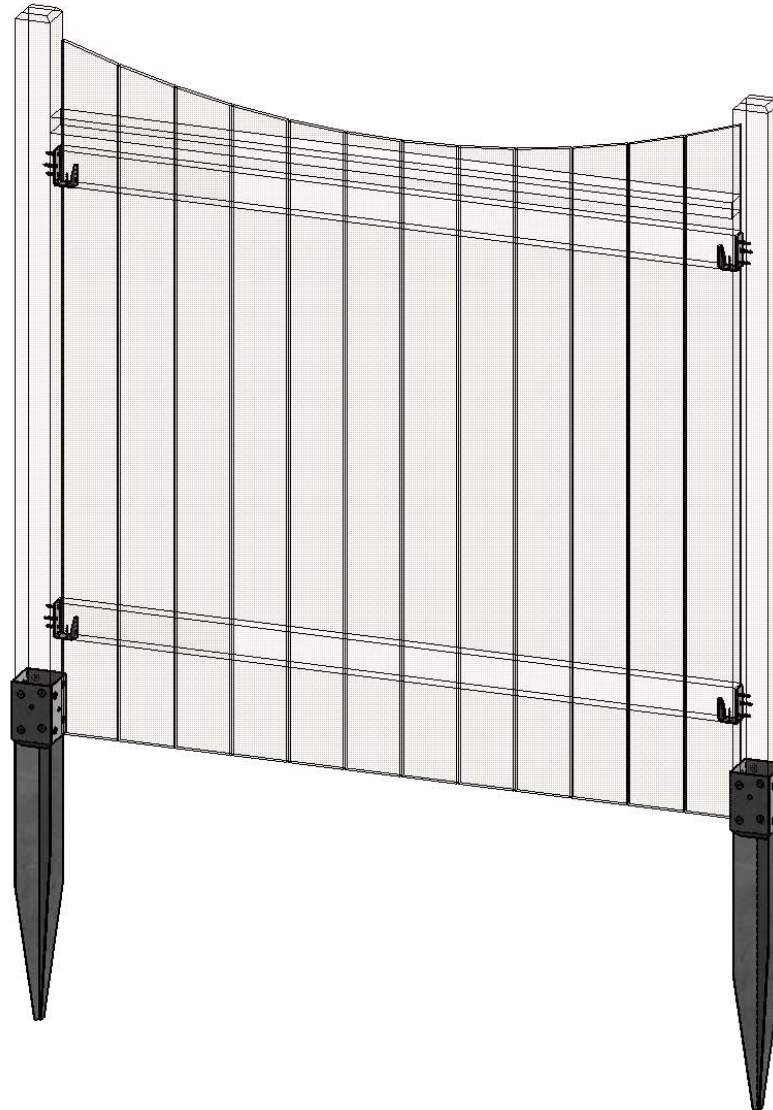
drooping string method

1. attach string on posts and allow to droop as desired
2. using a pencil, draw line on pickets along string
3. remove string & cut pickets along drawn line



step 7-arc cut

OZCO Project #251 - Neighbor Friendly Wood Privacy Fence



Translucent

OZCO Project #251 - Neighbor Friendly
Wood Privacy Fence