

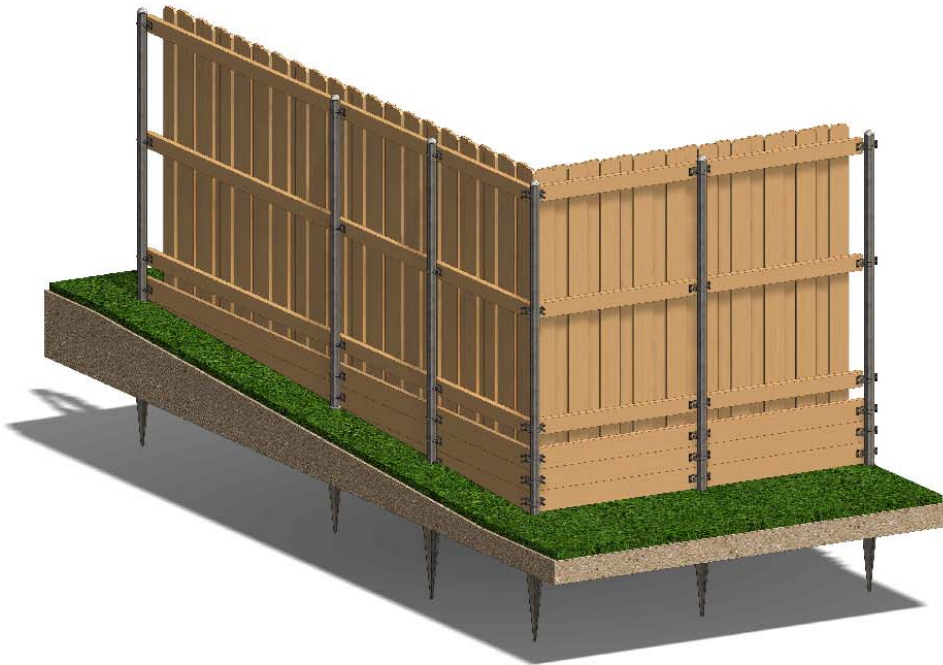
DESIGN

PURCHASE

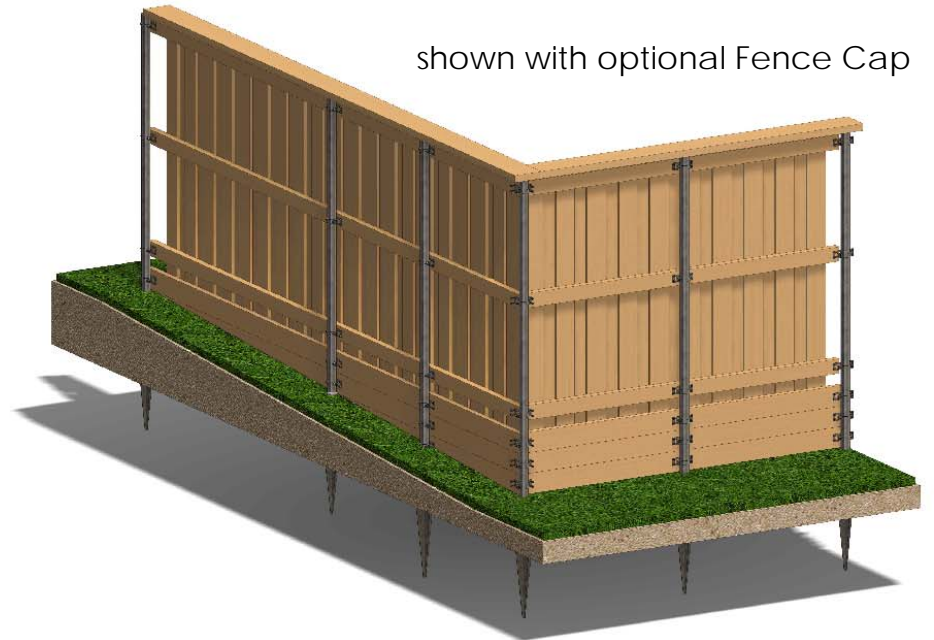
CONSTRUCT

ENJOY

**OZCO Project #263 -
Cedar Board on
Board Fence with
Retaining wall**

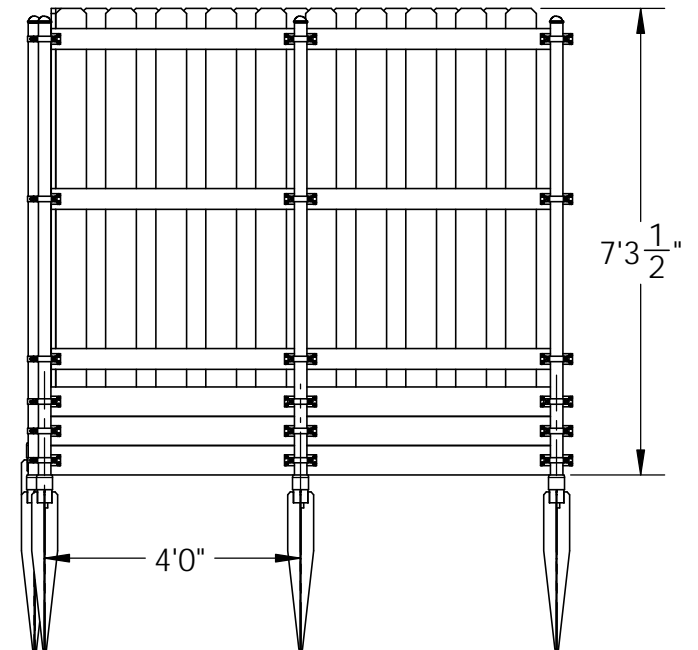
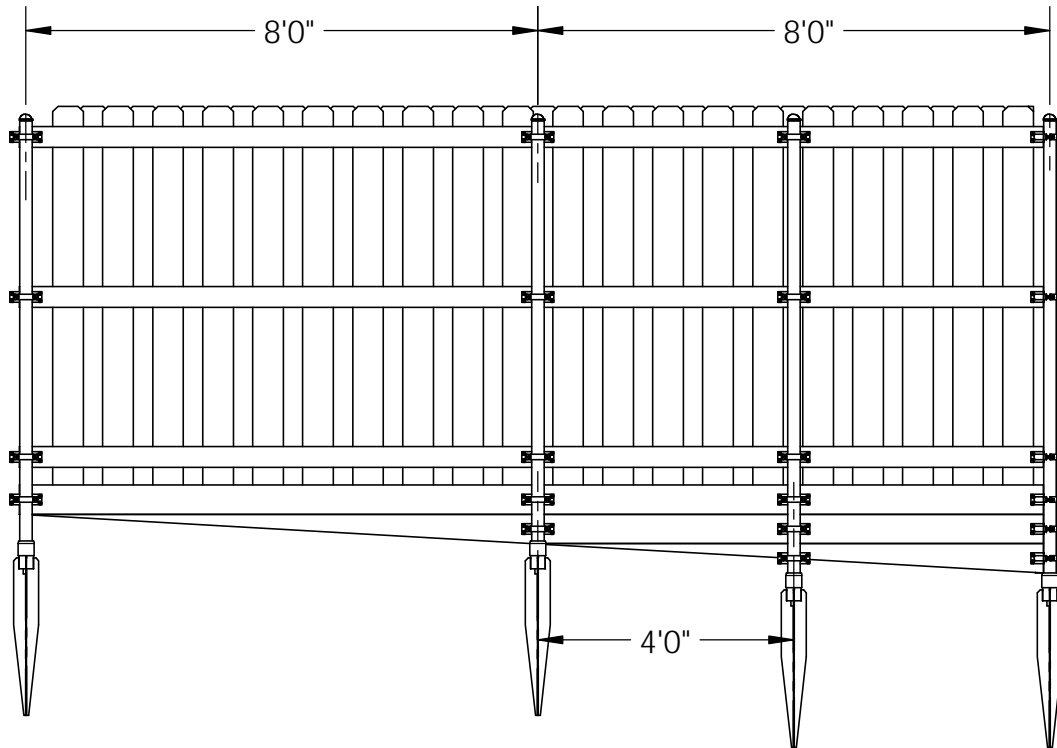


shown with optional Fence Cap



OZCO Project #263 - Cedar Board on Board Fence with Retaining Wall

V2.00 - Installation Instructions, Specifications and Project Plans are effective 2/23/2017 . This information is updated periodically and should not be relied upon after 2 years from 2/23/2017 . Please visit OZCOBP.com to get current information. 1

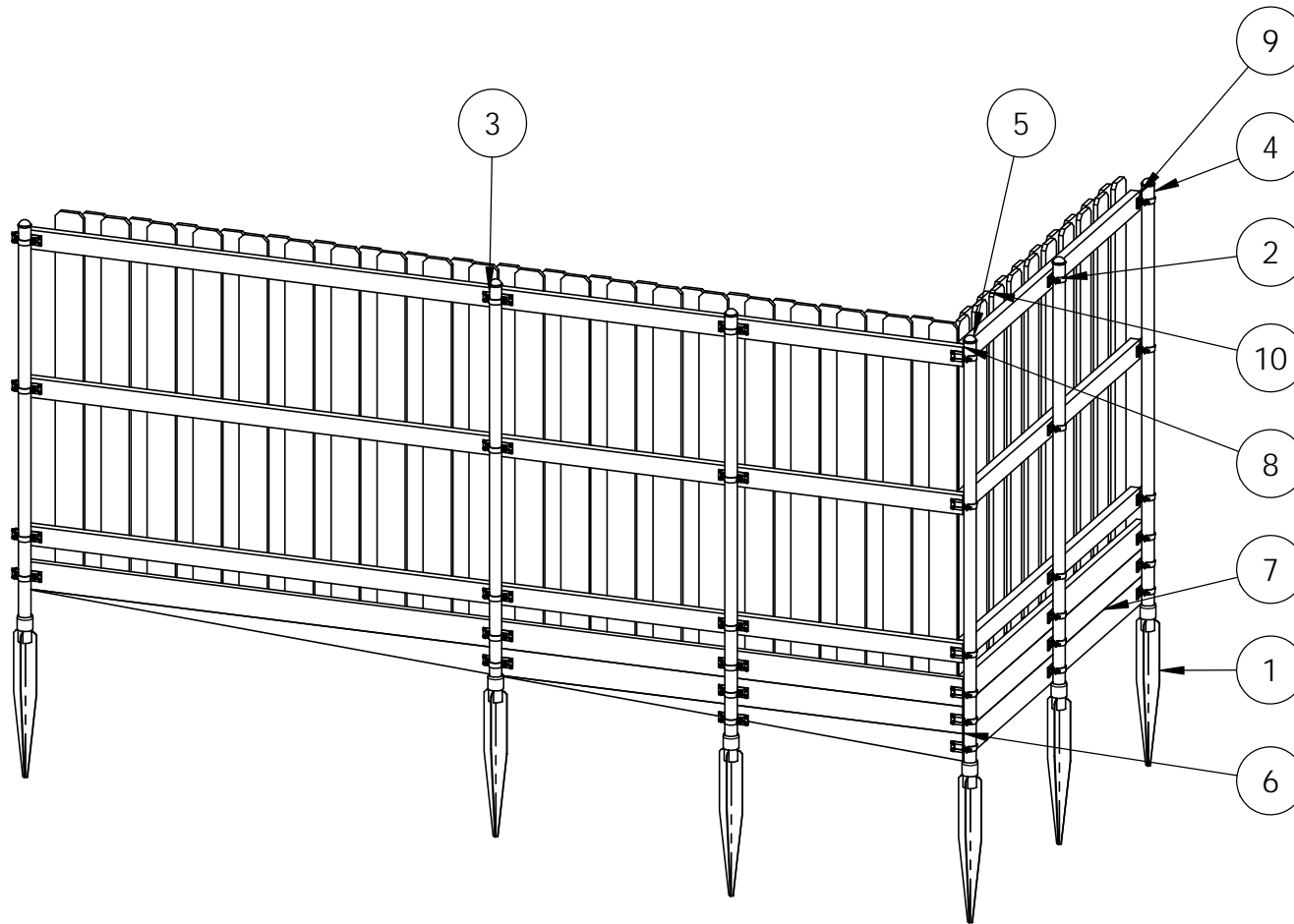


Overview

OZCO Project #263 - Cedar Board on Board Fence with Retaining Wall



OZCO BUILDING PRODUCTS



ITEM NO.	QTY.	PART NUMBER	DESCRIPTION
1	6	30040	34" 2-3/8 Dia Post Anchor (ISW-850)
2	33	50110	2-3/8" Steel to Wood Bracket (WAP-OZ)
3	2	Pipe, 2.375	Post, 2-3/8" Galvanized Steel, 7'0"
4	4	Pipe, 2.375	Post, 2-3/8" Galvanized Steel, 7'6"
5	6	cap, steel 2.375 post	Cap, 2-3/8" Galvanized Steel Post
6	3	2x6 Board	2x6x16'0"
7	3	2x6 Board	2x6x8'0"
8	3	2x4 Cedar Board	2x4x16'0"
9	3	2x4 Cedar Board	2x4x7'9 5/8"
10	58	1x6 Cedar Board	1x6x6'0"

Fence Cap option

1. omit item 2
2. add 2x8x(length)
3. item 5 to be straight cut

Bill of Material

OZCO Project #263 - Cedar Board on Board Fence with Retaining Wall



instant post holes

OZCO BUILDING PRODUCTS

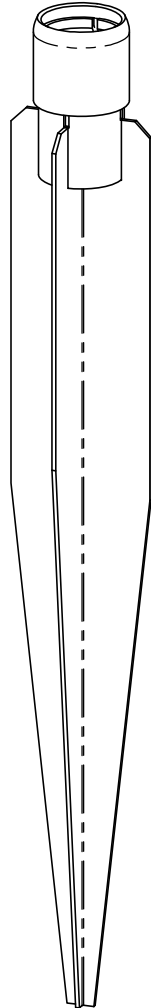
QTY.	PART NUMBER	DESCRIPTION
6	30040	ISW-850 34" 2 3/8 Dia
33	50110	2 3/8" Steel to Wood Bracket
6	Pipe, 2.375	Post, 2-3/8" Galvanized Steel, 8 foot
6	cap, steel 2.375 post	Cap, 2-3/8" Galvanized Steel Post
3	2x6x16L	2x6x16
3	2x6x6L	2x6x6
3	2x4x16L	2x4x16
3	2x4x8L	2x4x8
58	1x6x8L	1x6x8

Material List

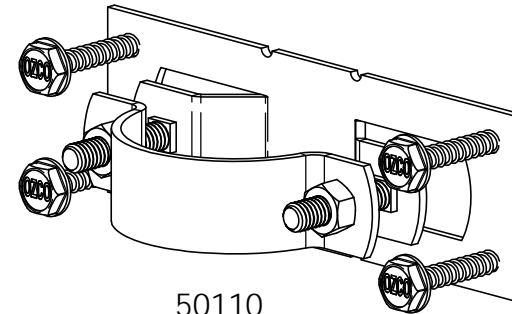
OZCO Project #263 - Cedar Board on Board Fence with Retaining Wall



V2.00 - Installation Instructions, Specifications and Project Plans are effective 3/13/2018 . This information is updated periodically and should not be relied upon after 2 years from 3/13/2018 . Please visit OZCOBP.com to get current information.



30040



50110

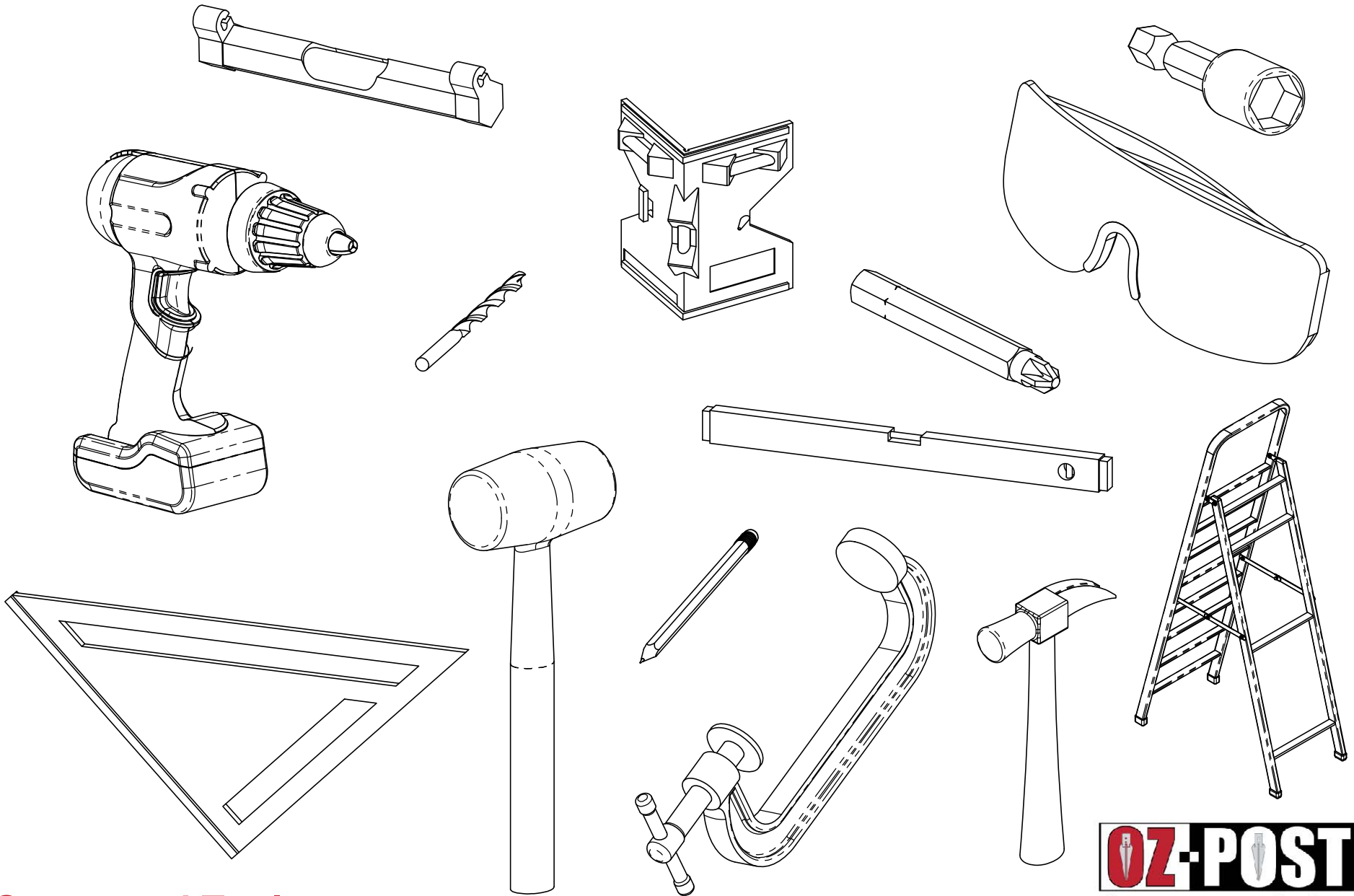


OZCO

OZCO Project #263 - Cedar Board on Board Fence with Retaining Wall

OZ-POST
instant post holes

OZCO BUILDING PRODUCTS

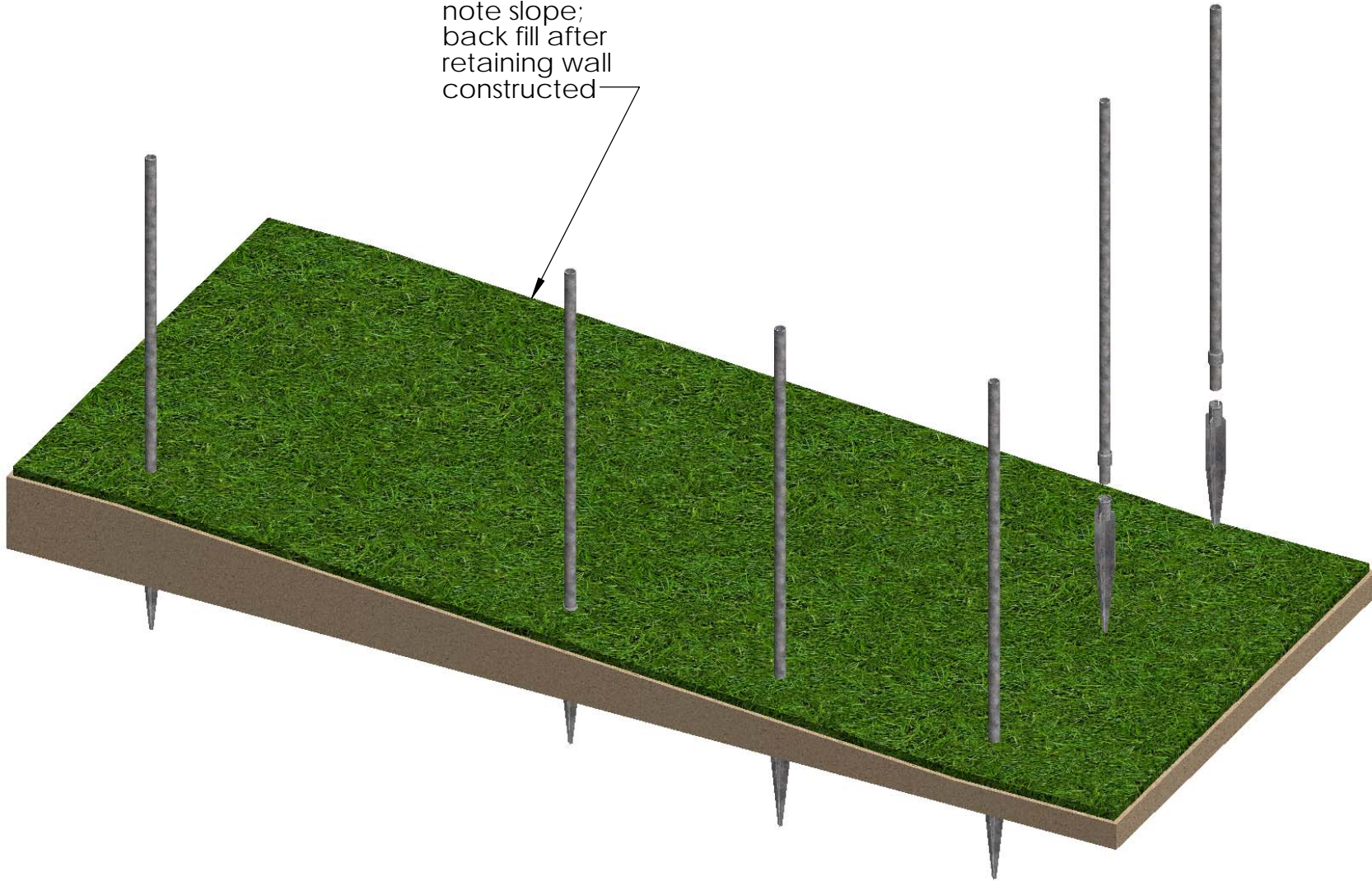


Suggested Tools
 (others may be required)

OZCO Project #263 - Cedar Board on Board Fence with Retaining Wall



note slope;
back fill after
retaining wall
constructed



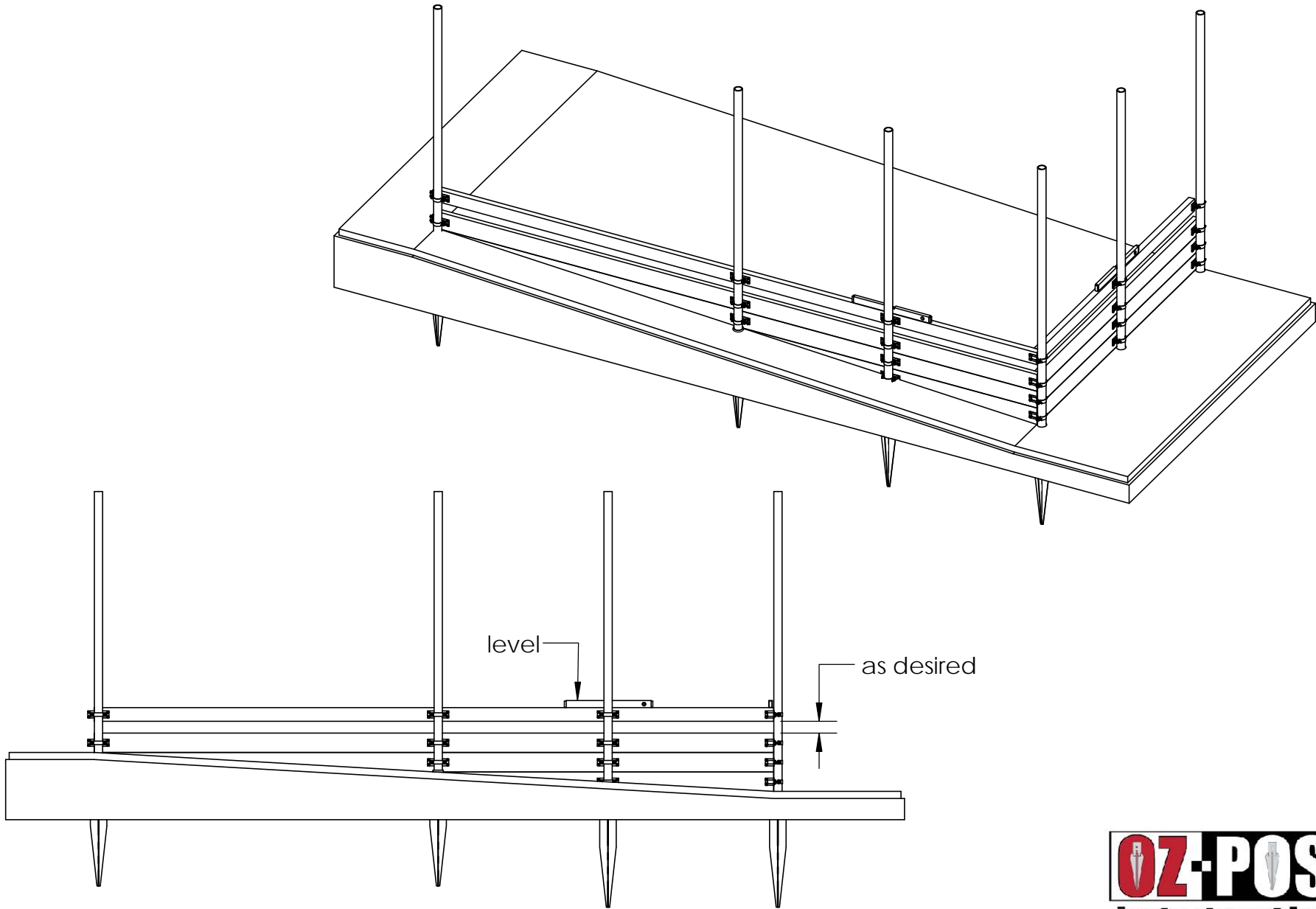
step 1

OZCO Project #263 - Cedar Board on Board Fence with Retaining Wall

OZ-POST
instant post holes

OZCO BUILDING PRODUCTS

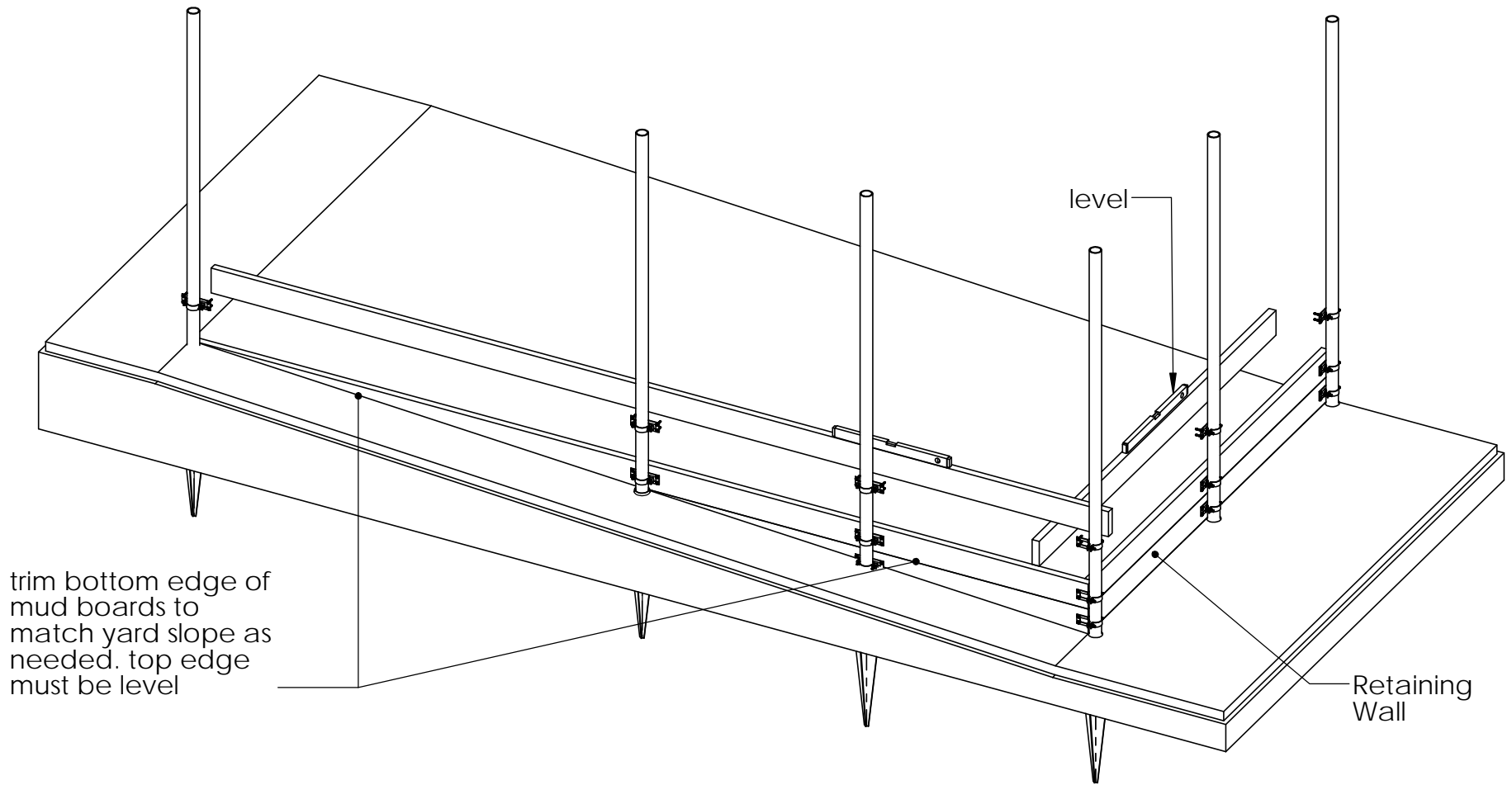
V2.00 - Installation Instructions, Specifications and Project Plans are effective 2/23/2017 . This information is updated periodically and should not be relied upon after 2 years from 2/23/2017 . Please visit OZCOBP.com to get current information.



step 3

OZCO Project #263 - Cedar Board on Board Fence with Retaining Wall





* back fill retaining wall with soil after this step

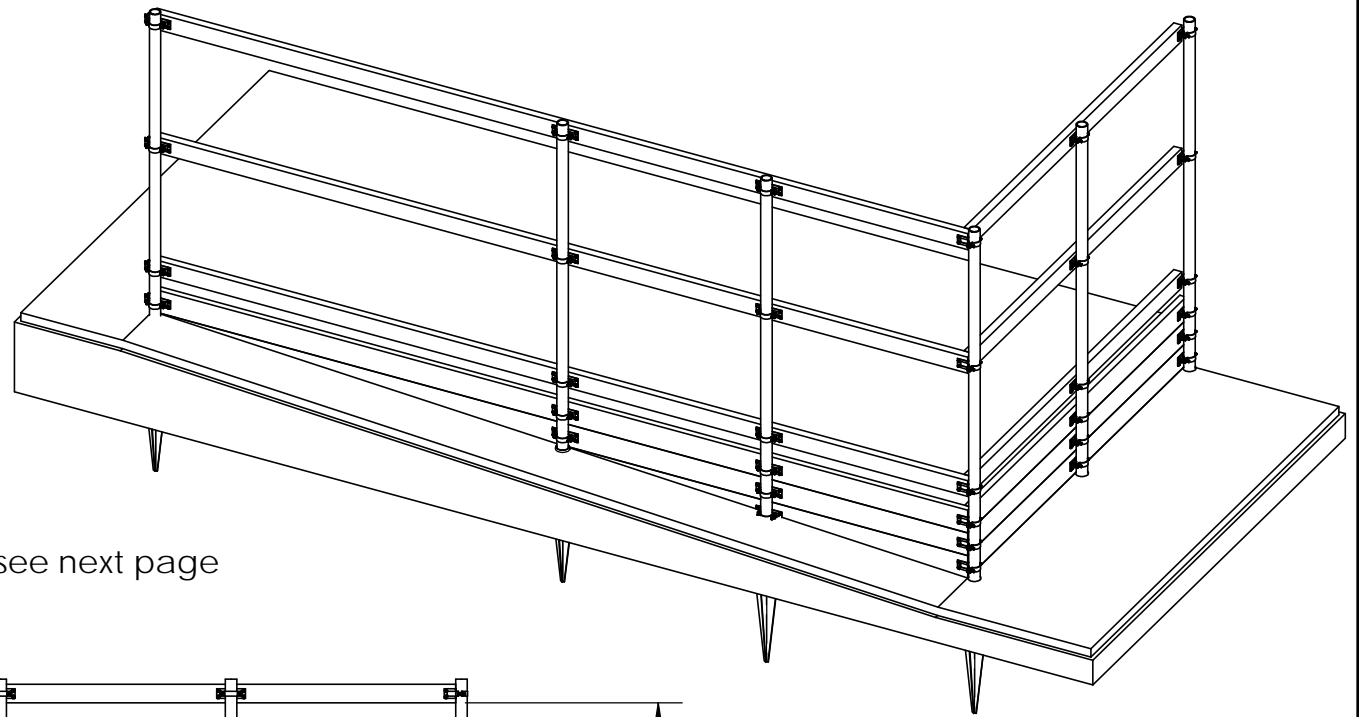
step 2

OZCO Project #263 - Cedar Board on Board Fence with Retaining Wall

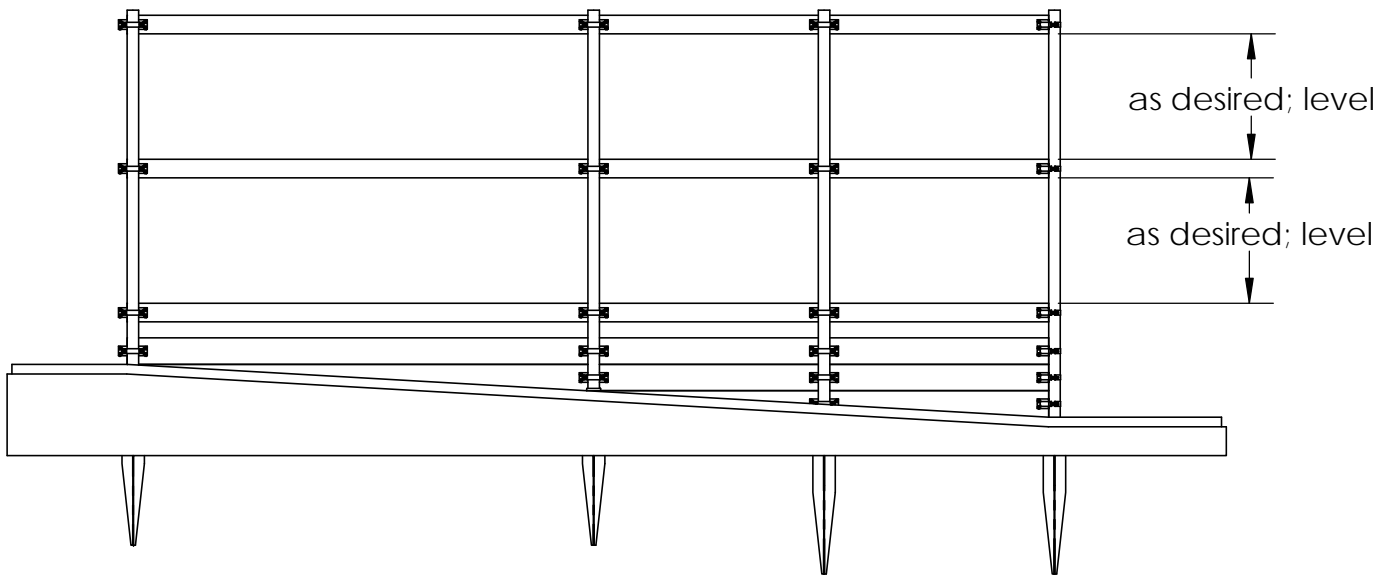
OZ-POST
instant post holes

OZCO BUILDING PRODUCTS

V2.00 - Installation Instructions, Specifications and Project Plans are effective 2/23/2017 . This information is updated periodically and should not be relied upon after 2 years from 2/23/2017 . Please visit OZCOBP.com to get current information.



for Fence Cap option, see next page

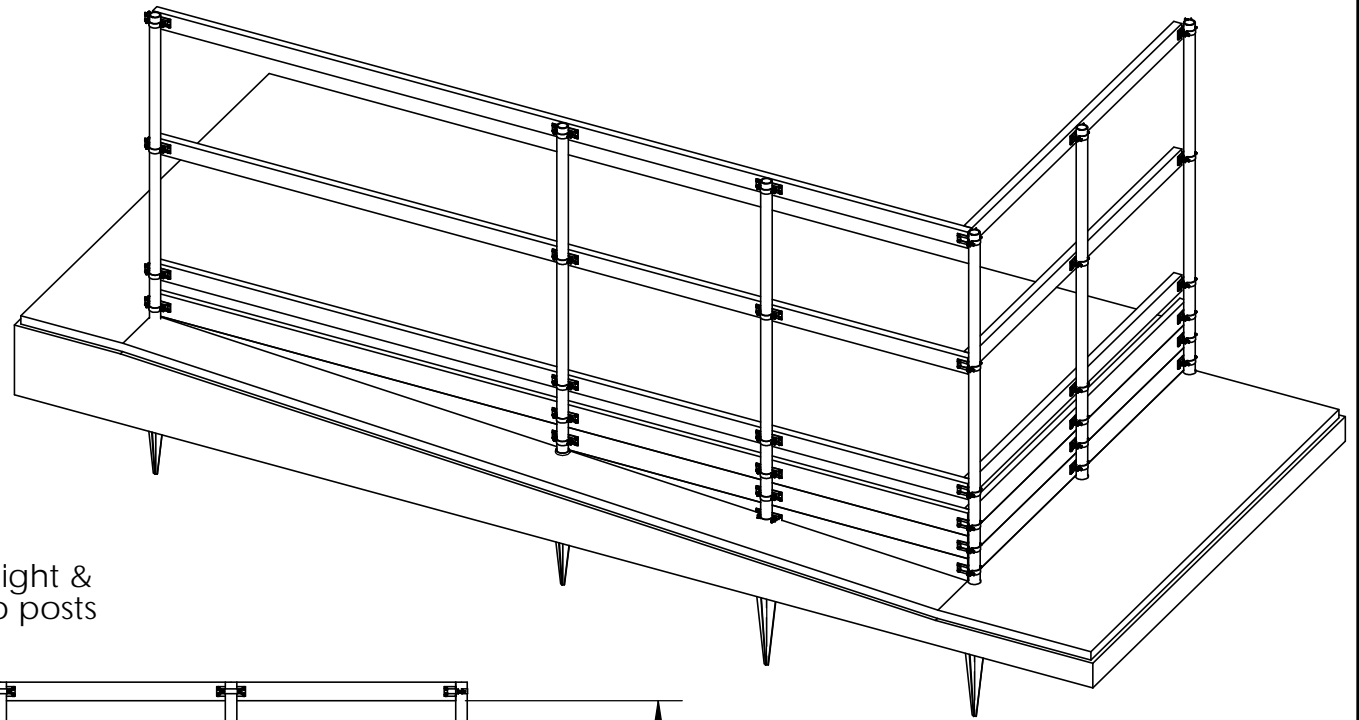


step 4

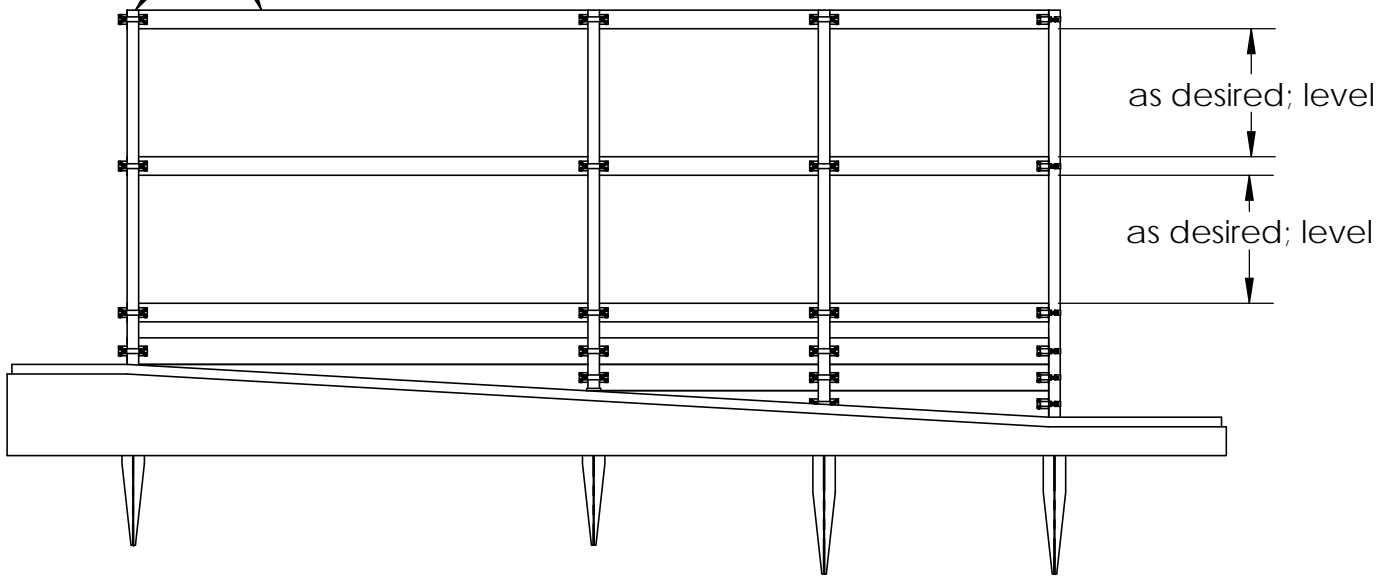
OZCO Project #263 - Cedar Board on Board Fence with Retaining Wall



OZCO BUILDING PRODUCTS



trim posts to same height & mount boards flush to posts

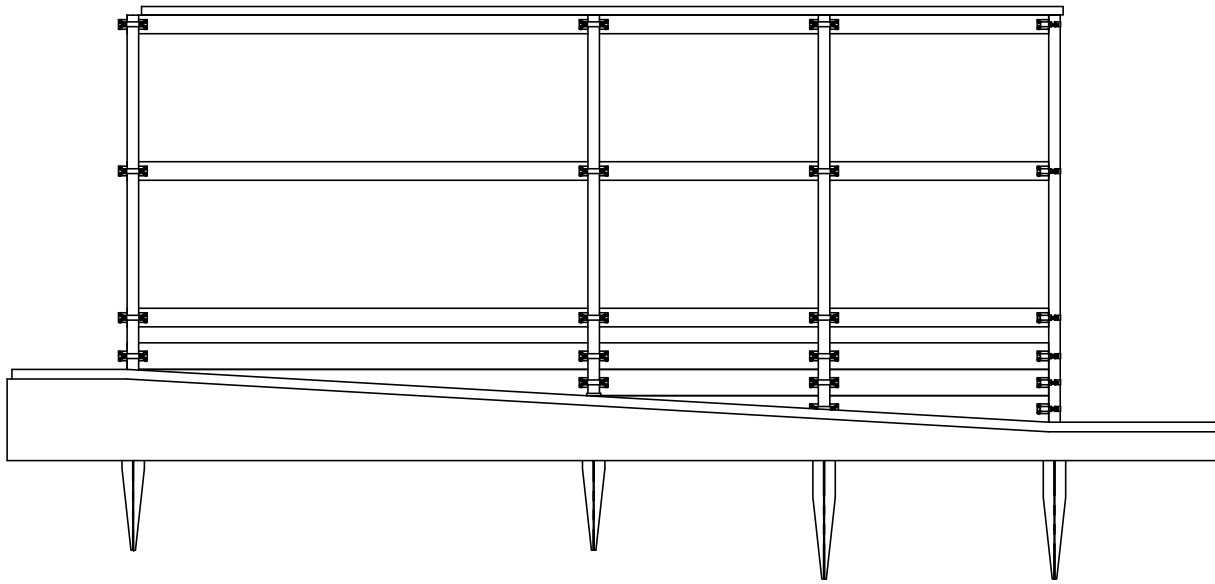
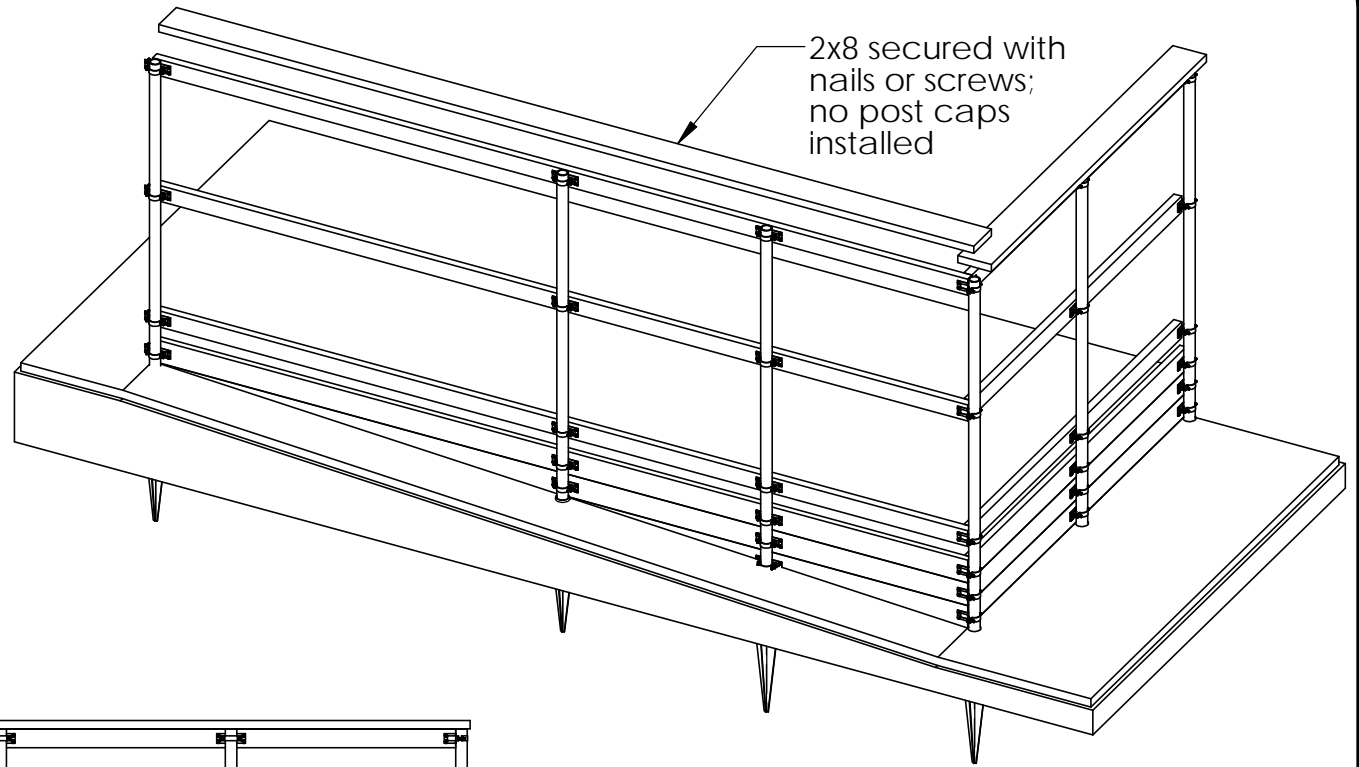


step 4 Fence Cap option

OZCO Project #263 - Cedar Board on Board Fence with Retaining Wall



OZCO BUILDING PRODUCTS



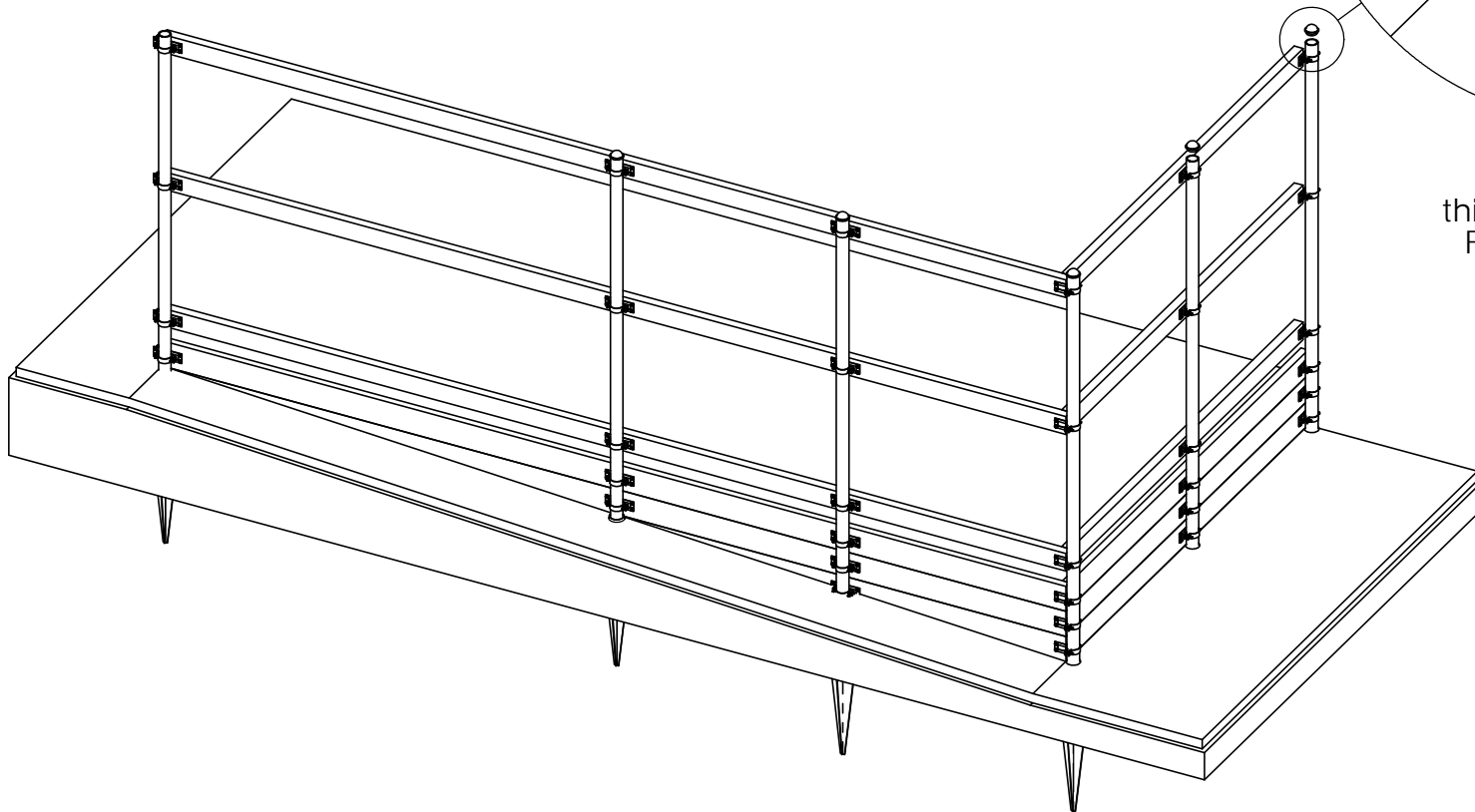
step 4 install Fence Cap

OZCO Project #263 - Cedar Board on Board Fence with Retaining Wall



OZCO BUILDING PRODUCTS

V2.00 - Installation Instructions, Specifications and Project Plans are effective 2/23/2017. This information is updated periodically and should not be relied upon after 2 years from 2/23/2017. Please visit OZCOBP.com to get current information.



this step is omitted for
Fence Cap option

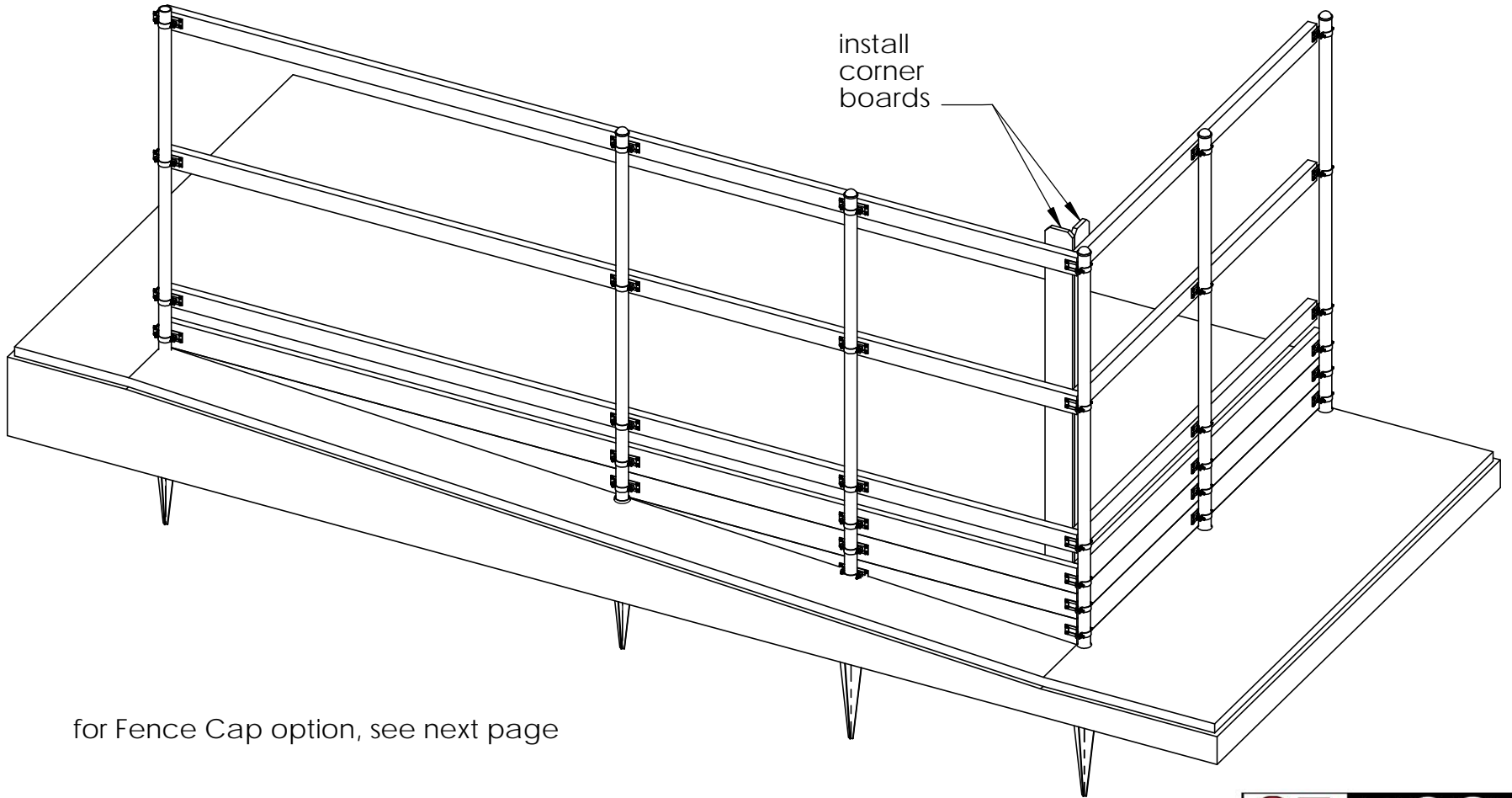
step 5

OZCO Project #263 - Cedar Board on Board Fence with Retaining
Wall

OZ-POST
instant post holes

OZCO BUILDING PRODUCTS

V2.00 - Installation Instructions, Specifications and Project Plans are effective 2/23/2017 . This information is updated periodically and should not be relied upon after 2 years from 2/23/2017 . Please visit OZCOBP.com to get current information.

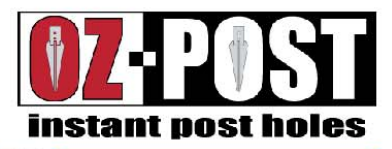


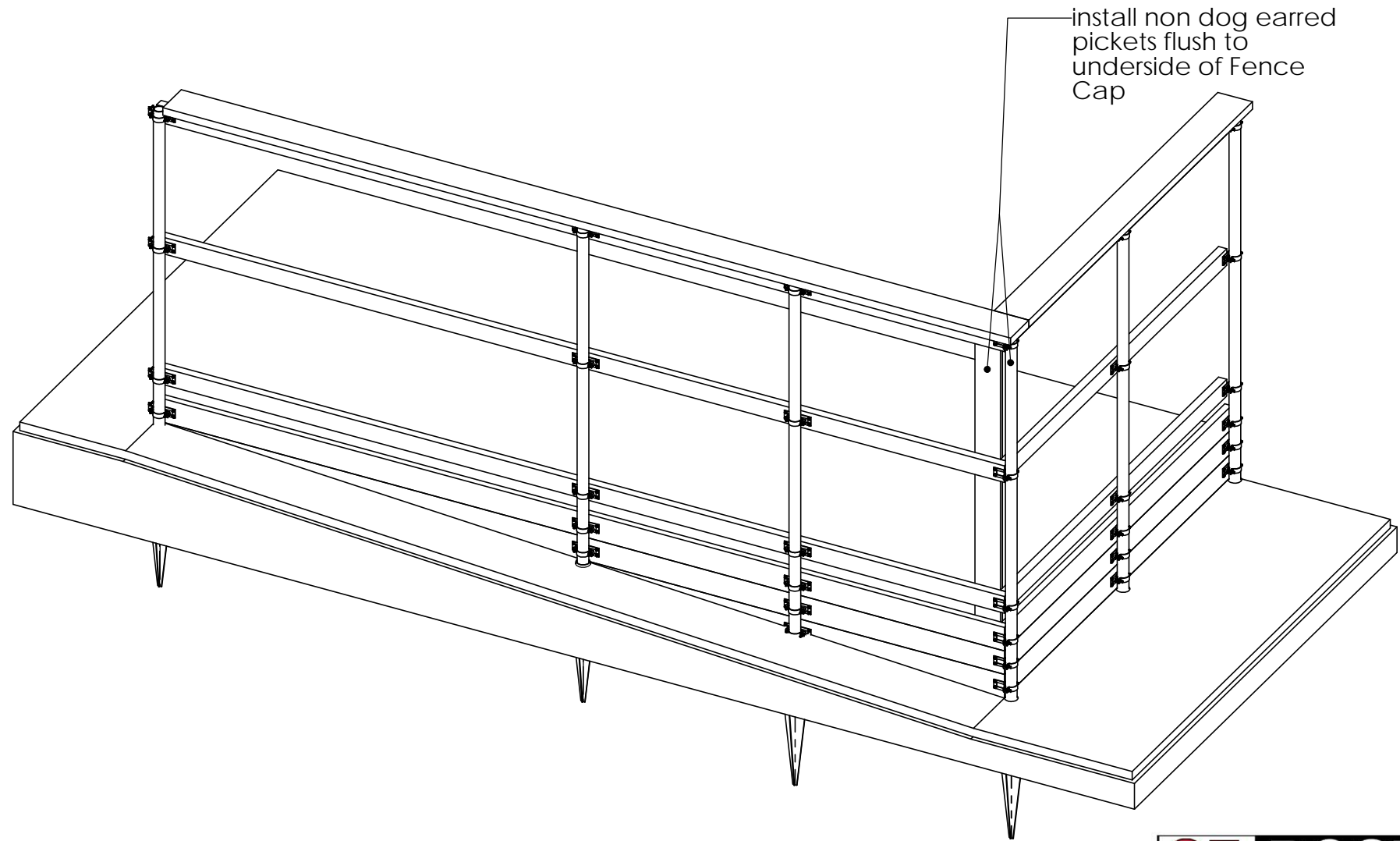
install
corner
boards

for Fence Cap option, see next page

step 6

OZCO Project #263 - Cedar Board on Board Fence with Retaining Wall





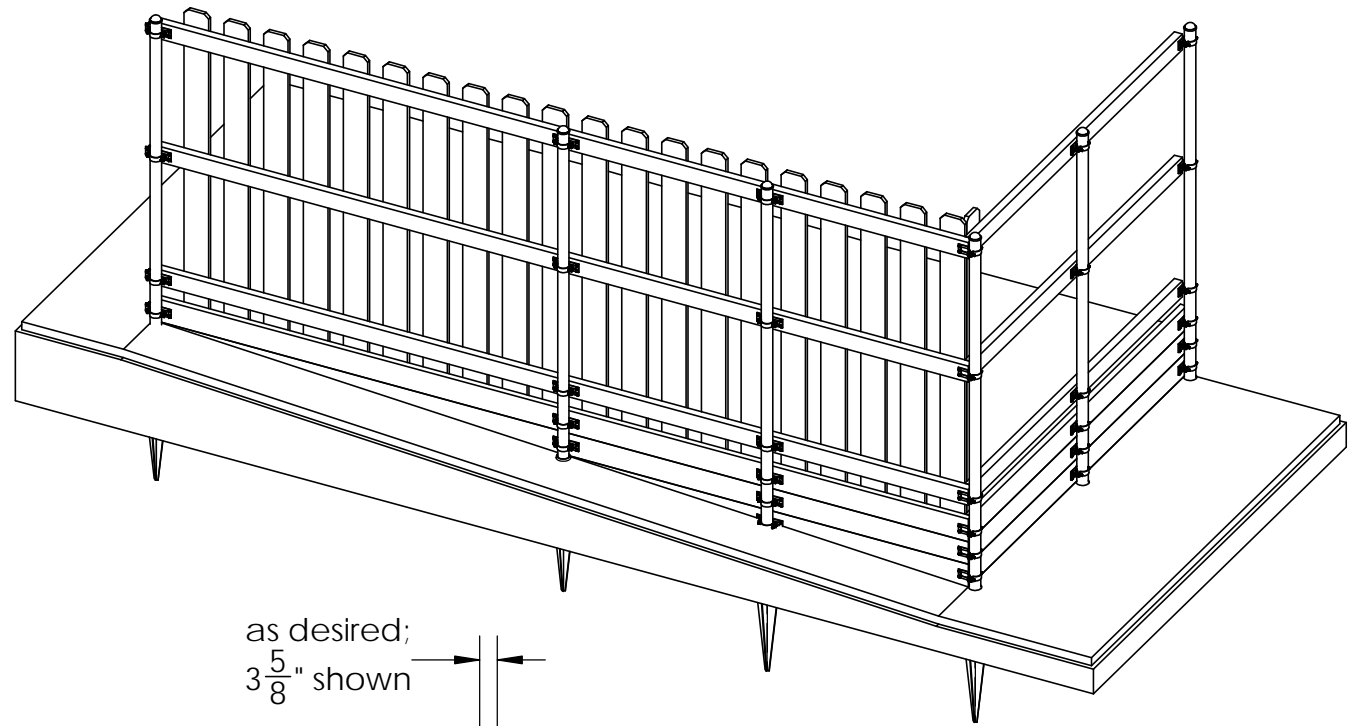
step 6 Fence Cap picket installation

OZCO Project #263 - Cedar Board on Board Fence with Retaining Wall



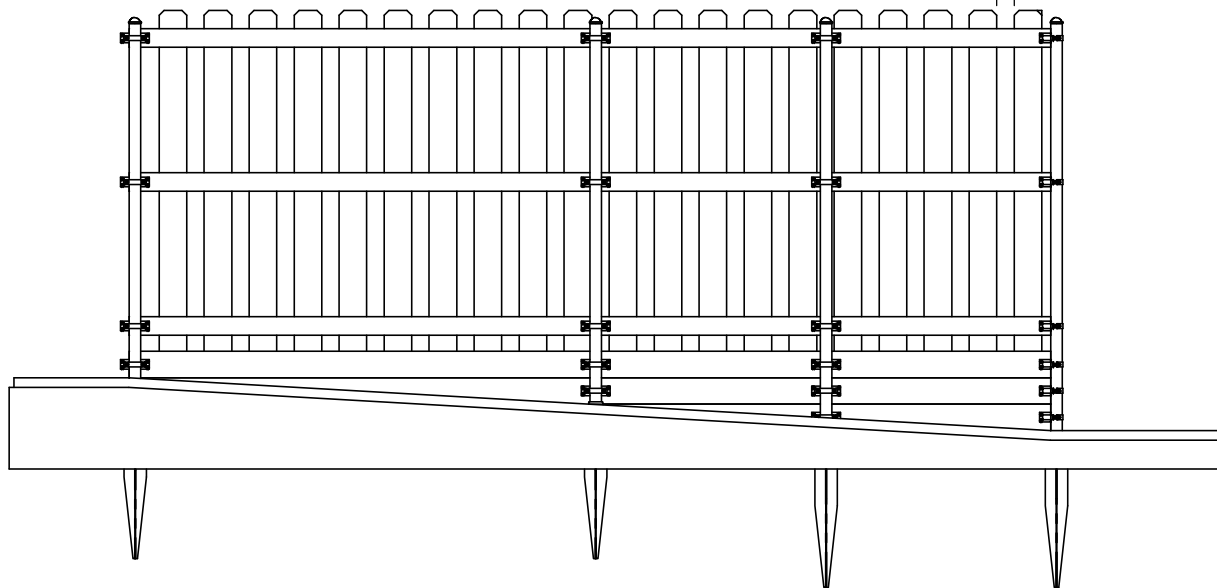
OZCO BUILDING PRODUCTS

V2.00 - Installation Instructions, Specifications and Project Plans are effective 2/23/2017. This information is updated periodically and should not be relied upon after 2 years from 2/23/2017. Please visit OZCOBP.com to get current information.



as desired;
 $3\frac{5}{8}$ " shown

for Fence cap option,
 install pickets the same

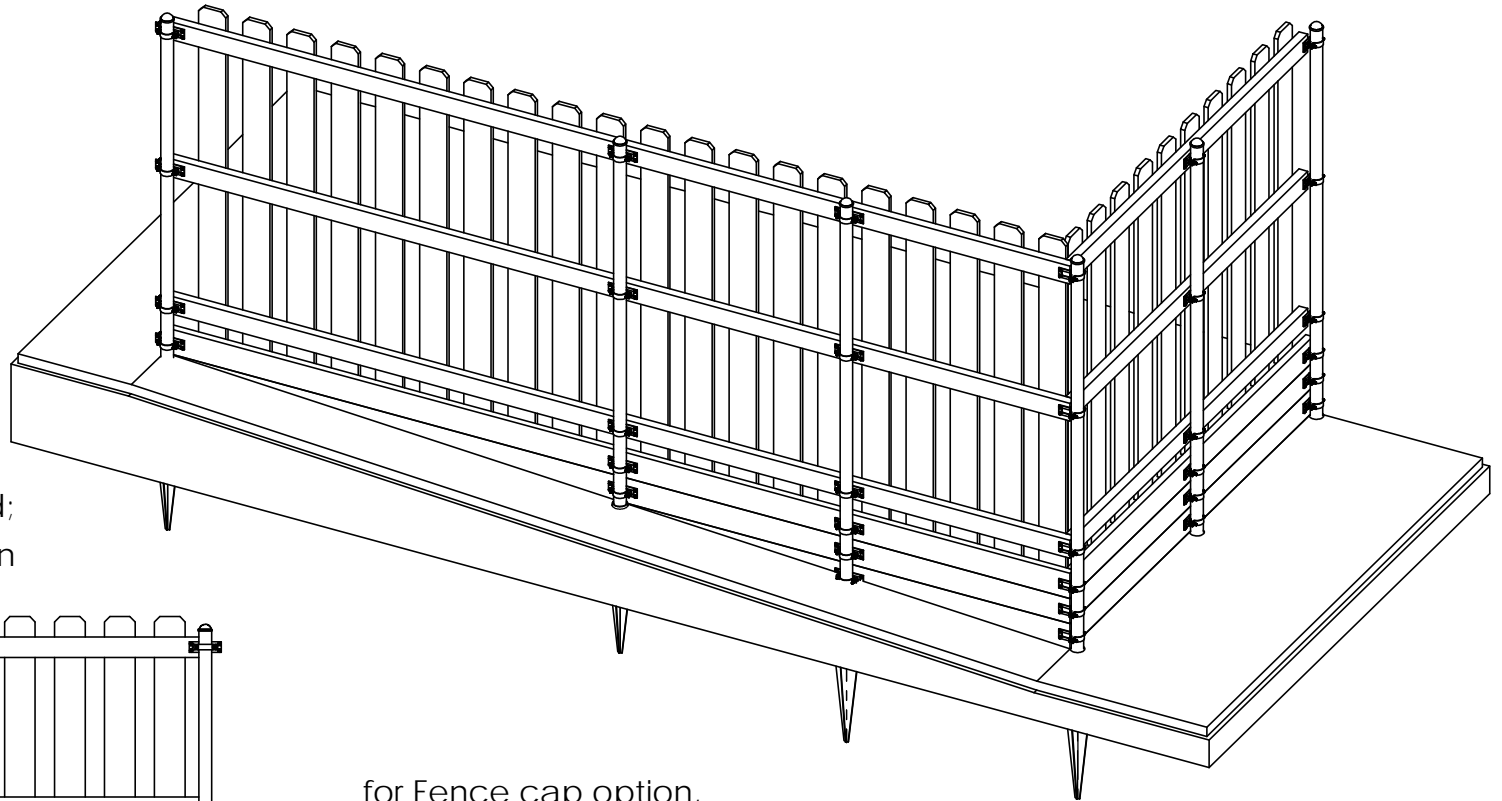


step 7

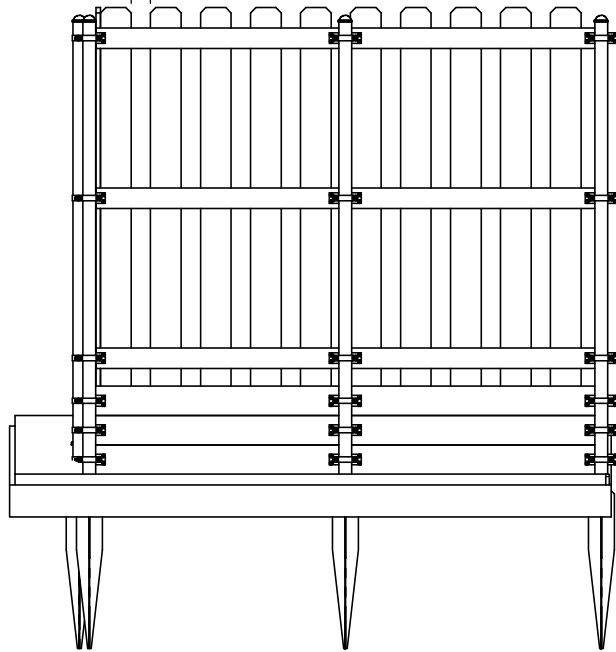
OZCO Project #263 - Cedar Board on Board Fence with Retaining Wall



OZCO BUILDING PRODUCTS



as desired;
 $3\frac{5}{8}$ " shown



for Fence cap option,
install pickets the same

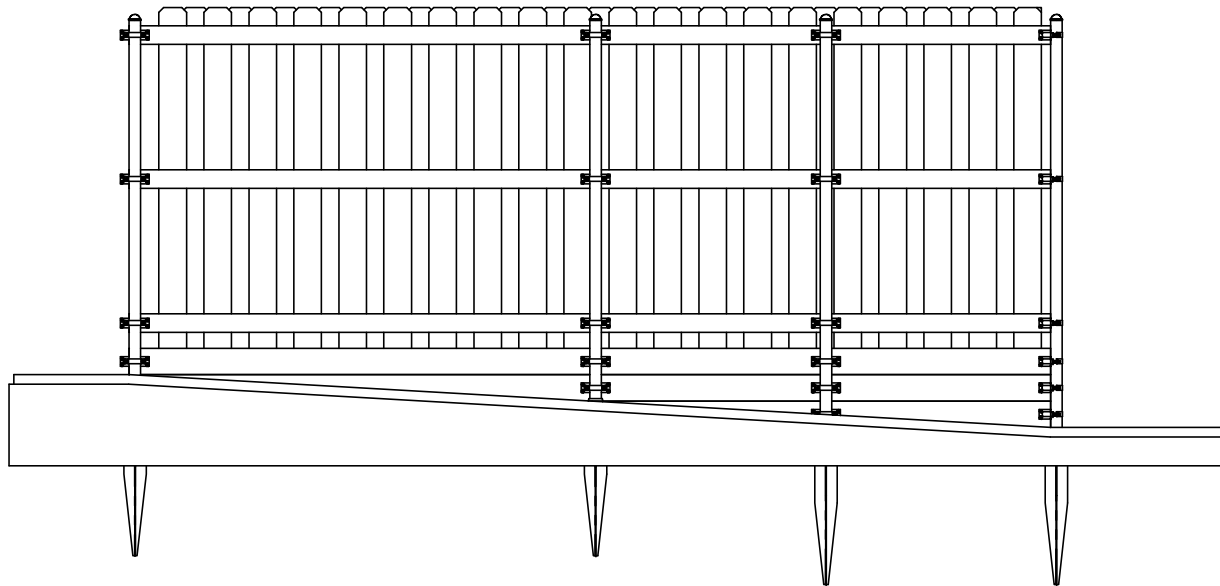
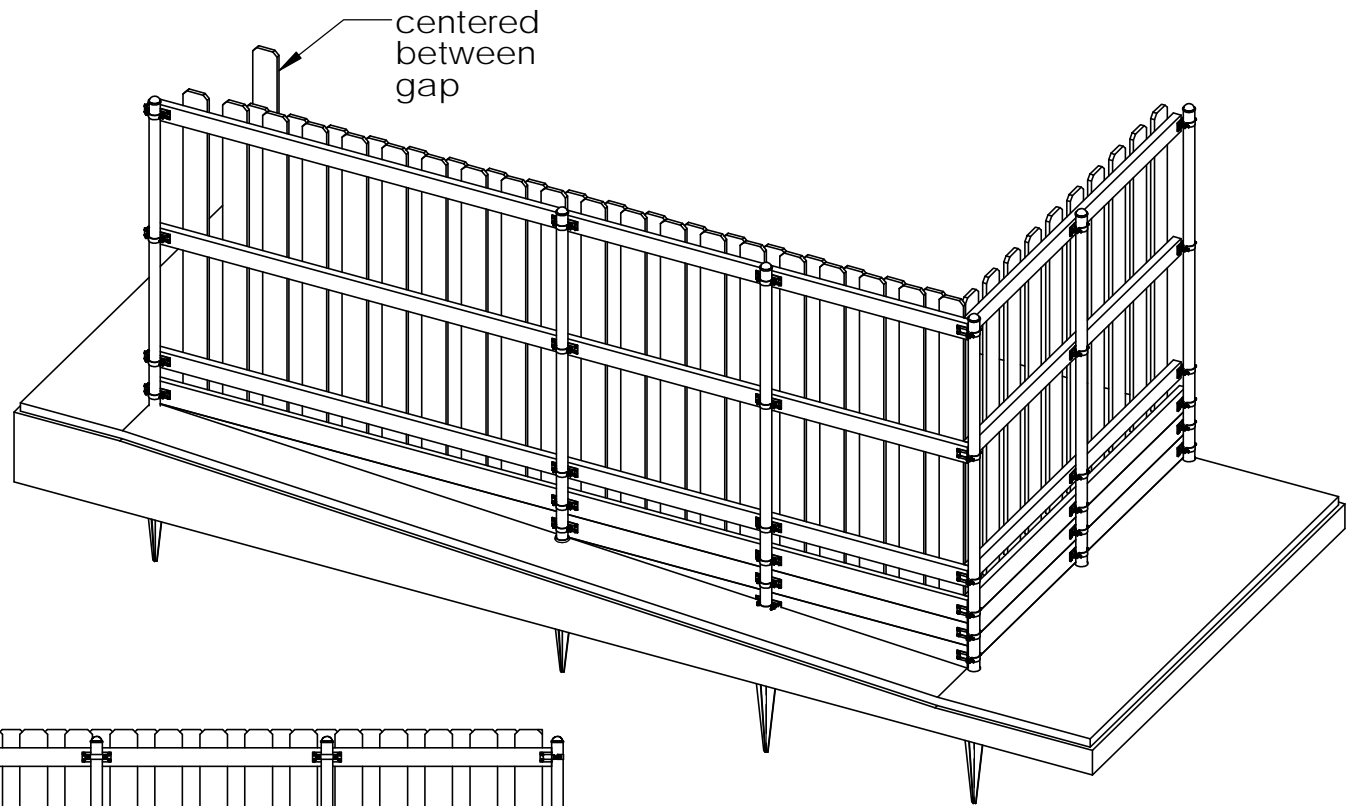
step 8

OZCO Project #263 - Cedar Board on Board Fence with Retaining Wall

OZ-POST
instant post holes

OZCO BUILDING PRODUCTS

V2.00 - Installation Instructions, Specifications and Project Plans are effective 2/23/2017. This information is updated periodically and should not be relied upon after 2 years from 2/23/2017. Please visit OZCOBP.com to get current information.



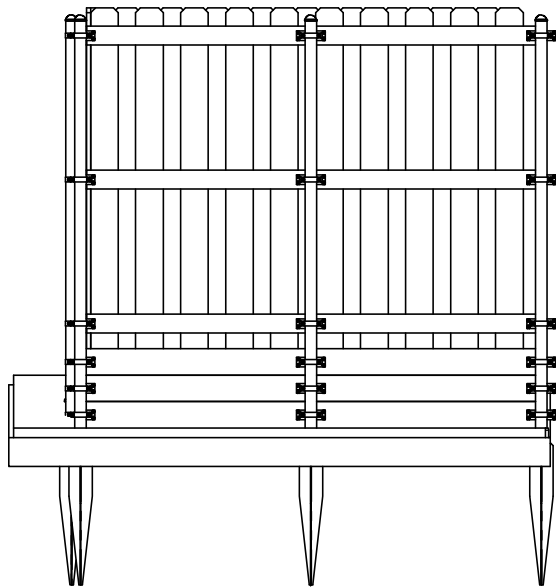
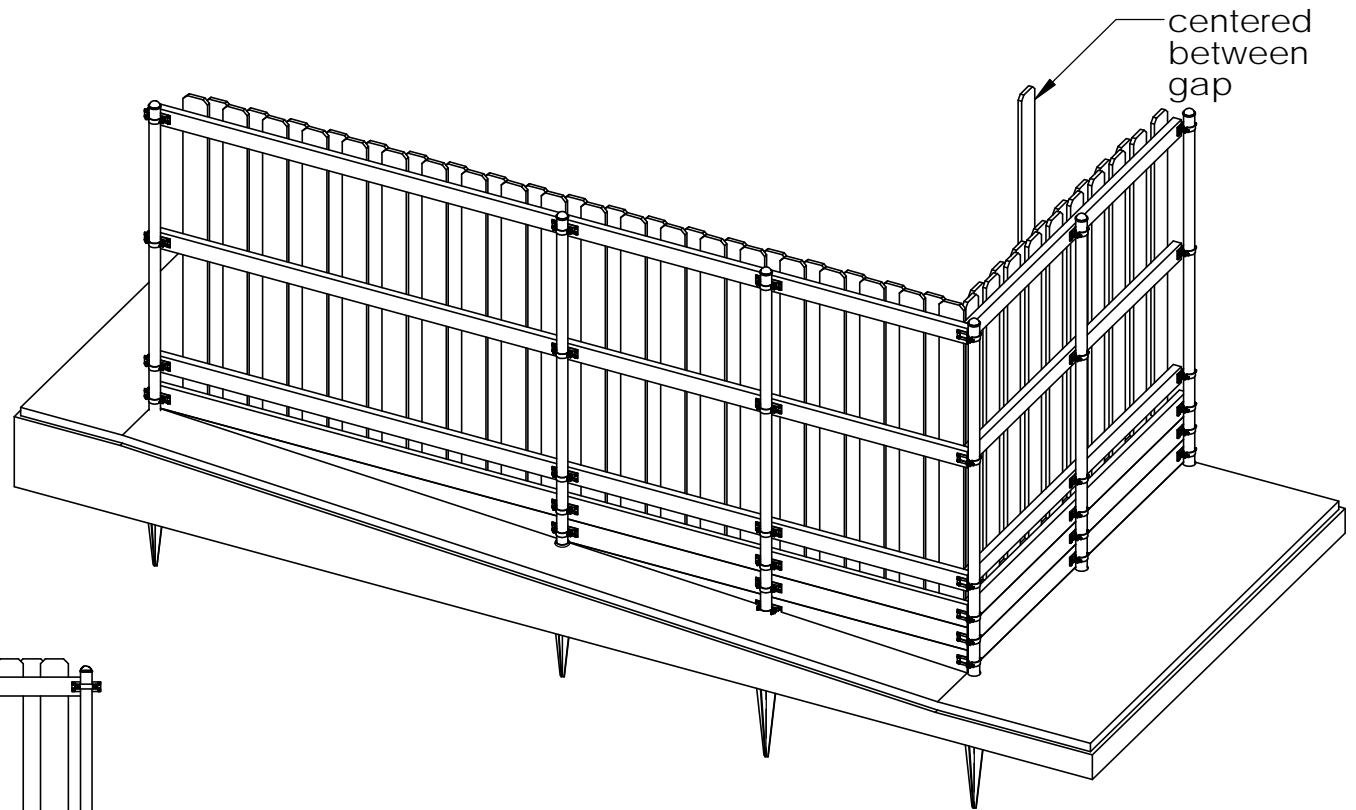
for Fence cap option,
install pickets the same



step 9

OZCO Project #263 - Cedar Board on Board Fence with Retaining Wall

V2.00 - Installation Instructions, Specifications and Project Plans are effective 2/23/2017 . This information is updated periodically and should not be relied upon after 2 years from 2/23/2017 . Please visit OZCOBP.com to get current information.



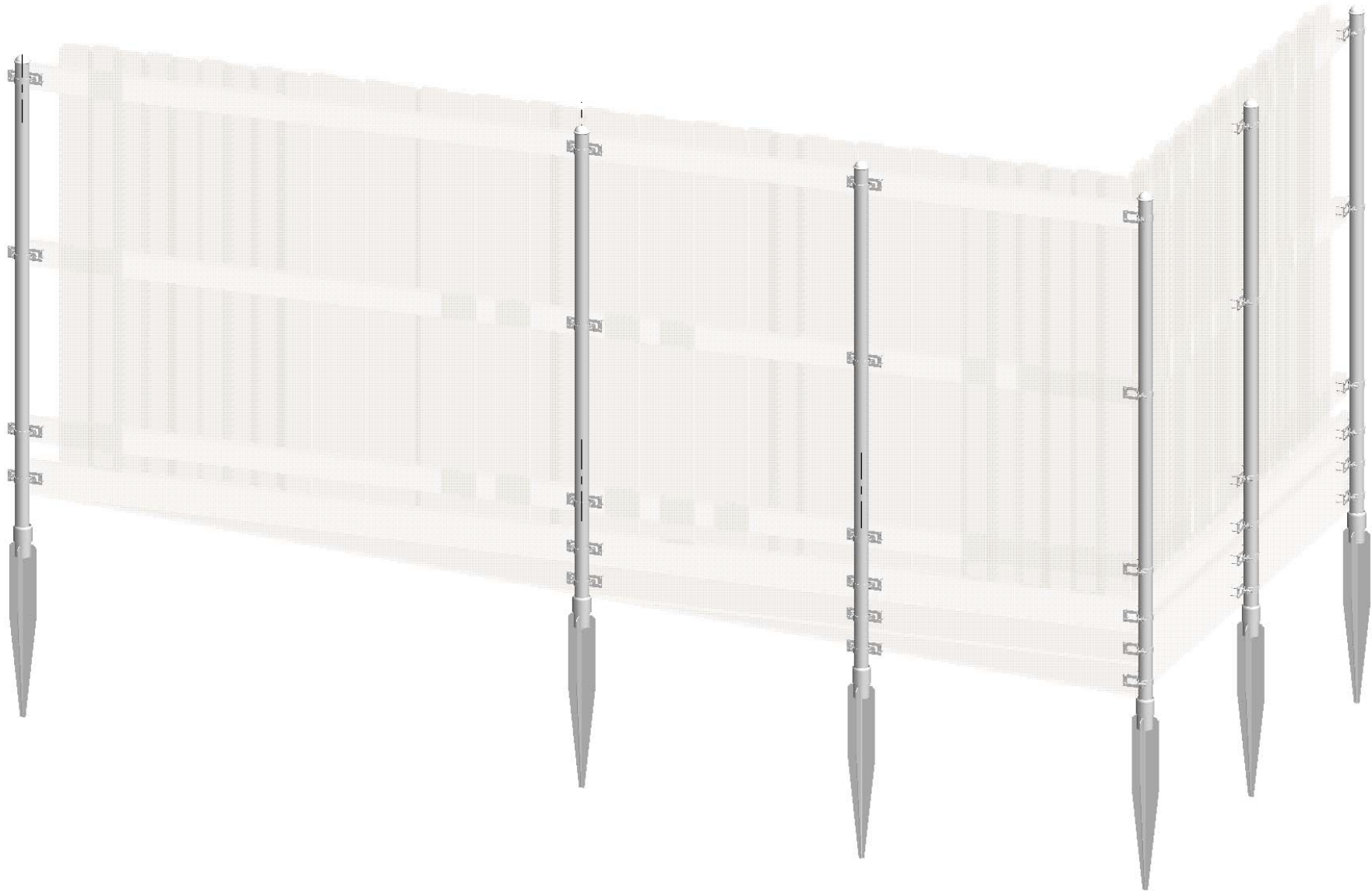
for Fence cap option,
install pickets the same

step 10

OZCO Project #263 - Cedar Board on Board Fence with Retaining Wall



OZCO BUILDING PRODUCTS



Translucent

OZCO Project #263 - Cedar Board on Board Fence with Retaining Wall



OZCO BUILDING PRODUCTS

V2.00 - Installation Instructions, Specifications and Project Plans are effective 2/23/2017 . This information is updated periodically and should not be relied upon after 2 years from 2/23/2017 . Please visit OZCOBP.com to get current information.