

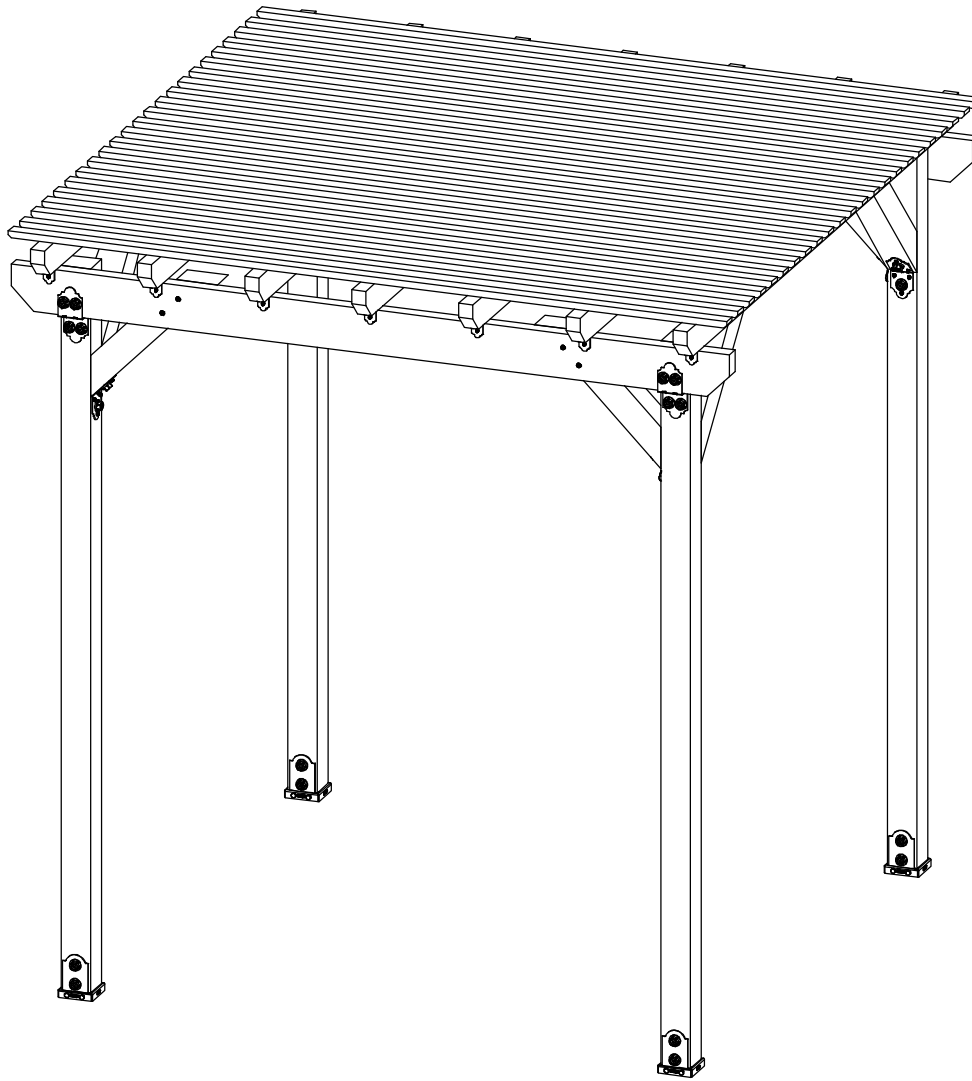
**DESIGN**

**PURCHASE**

**CONSTRUCT**

**ENJOY**

## OZCO Project #282 - Pergola 8x8 with 4x4 Posts with Lite Products

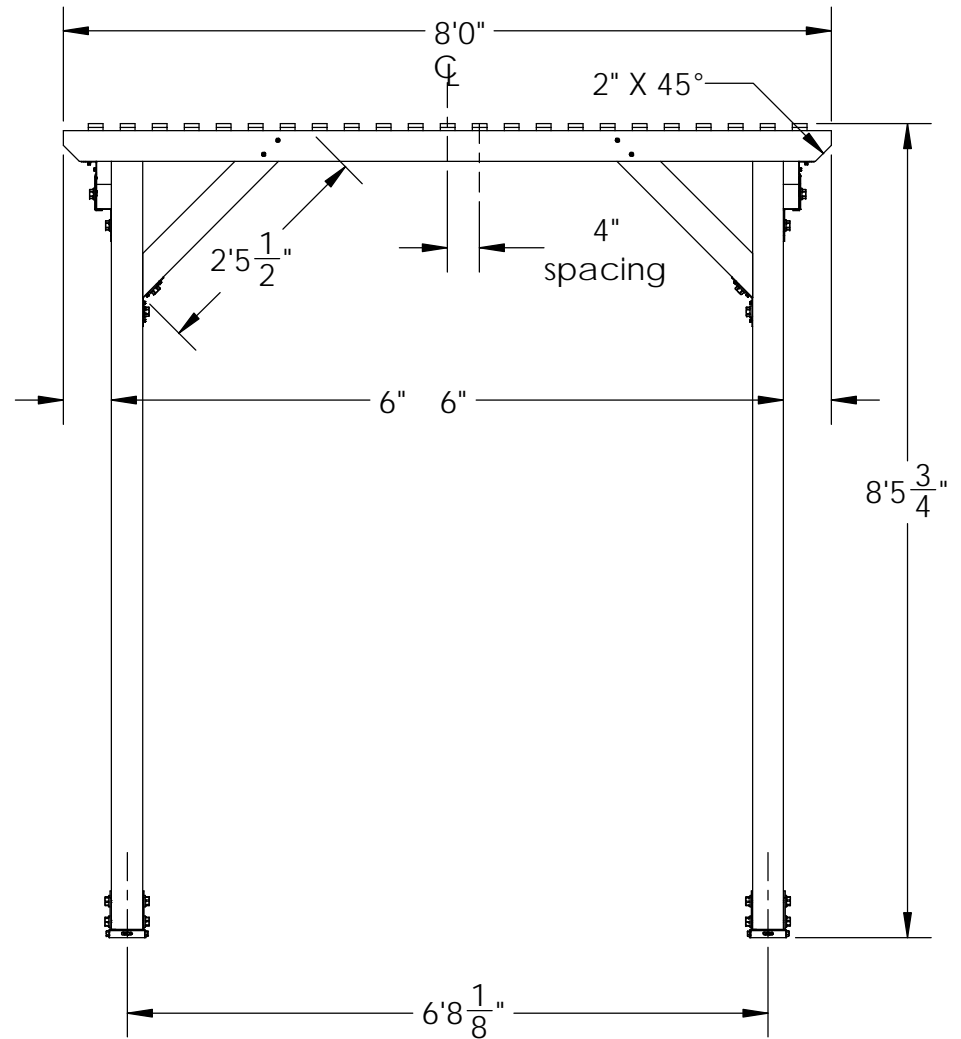
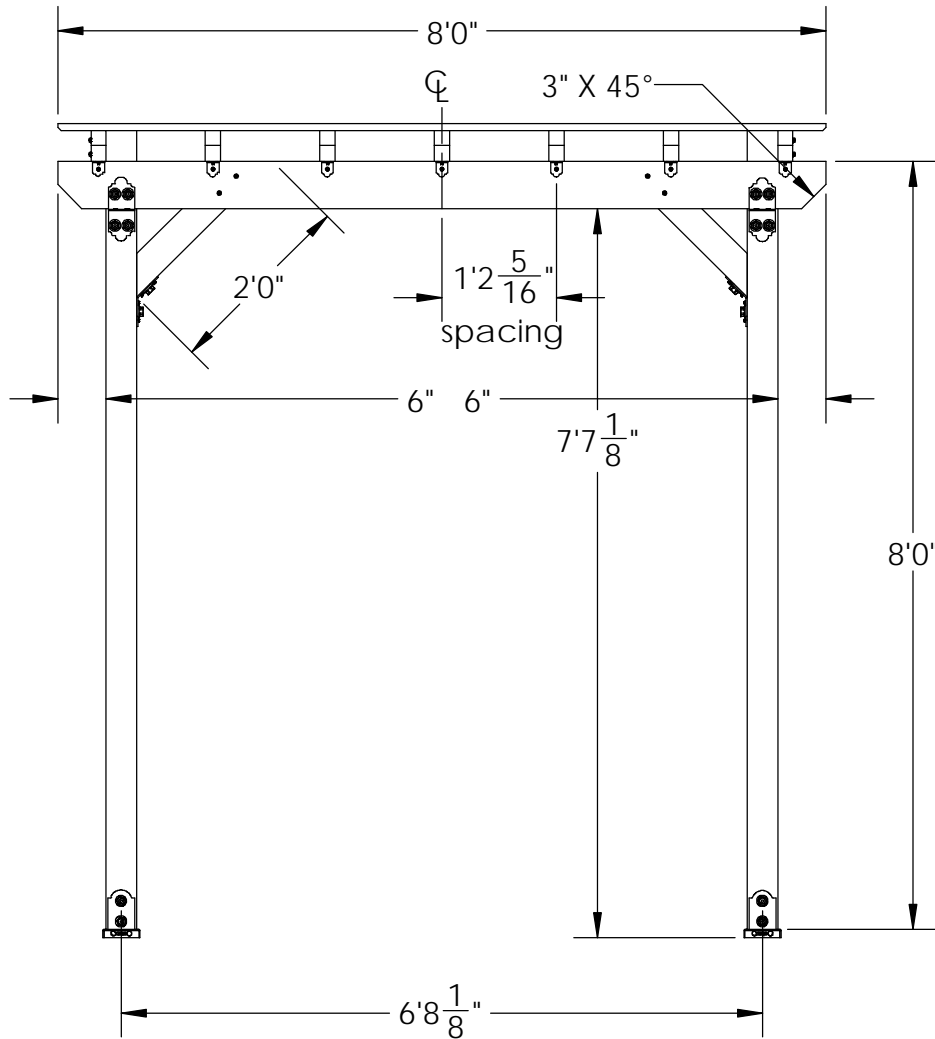


**OZCO Project #282 - Pergola 8x8 with 4x4 Posts with Lite Products**



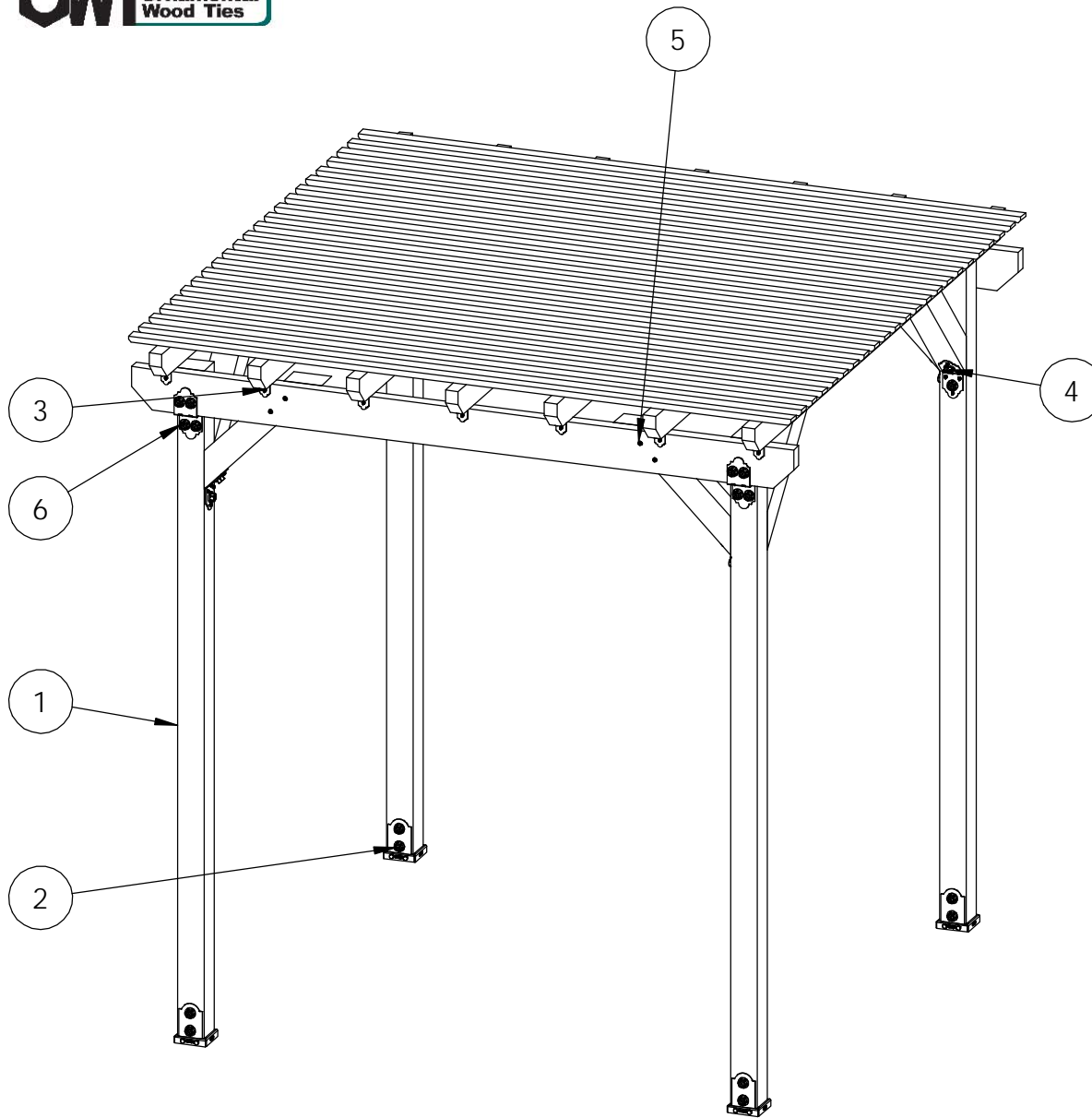
**OZCO** BUILDING PRODUCTS ■■■

V2.00 - Installation Instructions, Specifications and Project Plans are effective 11/27/2017 . This information is updated periodically and should not be relied upon after 2 years from 11/27/2017 . Please visit [OZCOBP.com](http://OZCOBP.com) to get current information.



## Overview

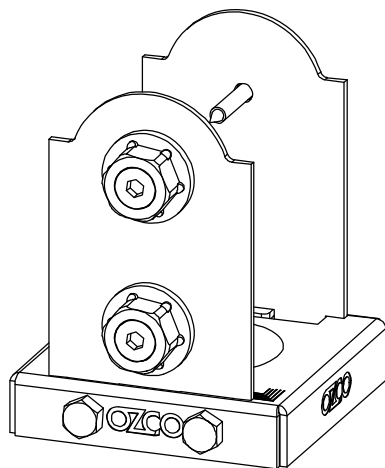
OZCO Project #282 - Pergola 8x8 with 4x4 Posts with Lite Products



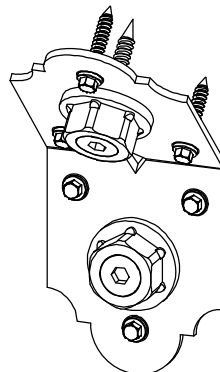
ITEM NO.	QTY.	PART NUMBER	DESCRIPTION
1	1	OZCO Project #282 - Pergola 8x8 with 4x4 Posts with Lite Products	see cutlist
2	4	54207	Lite 4X4 Post Base (4X4-PB-LSL)
3	2	56617	2" Standard Rafter Clip (RC-LS-2)
4	2	56668	4" Flush Inside 45 (FI45-LS-4)
5	1	56627	OWT Timber Screw 3-3/4"
6	2	56675	4" Post to Beam (P2B-LS-4)

## Bill of Material

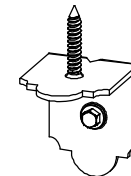
OZCO Project #282 - Pergola 8x8 with 4x4 Posts with Lite Products



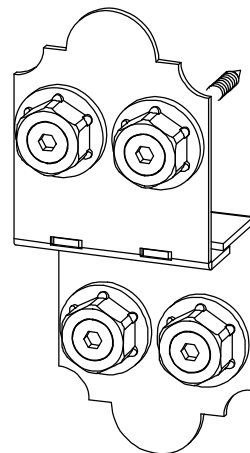
54207



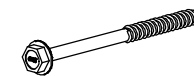
56668



56617

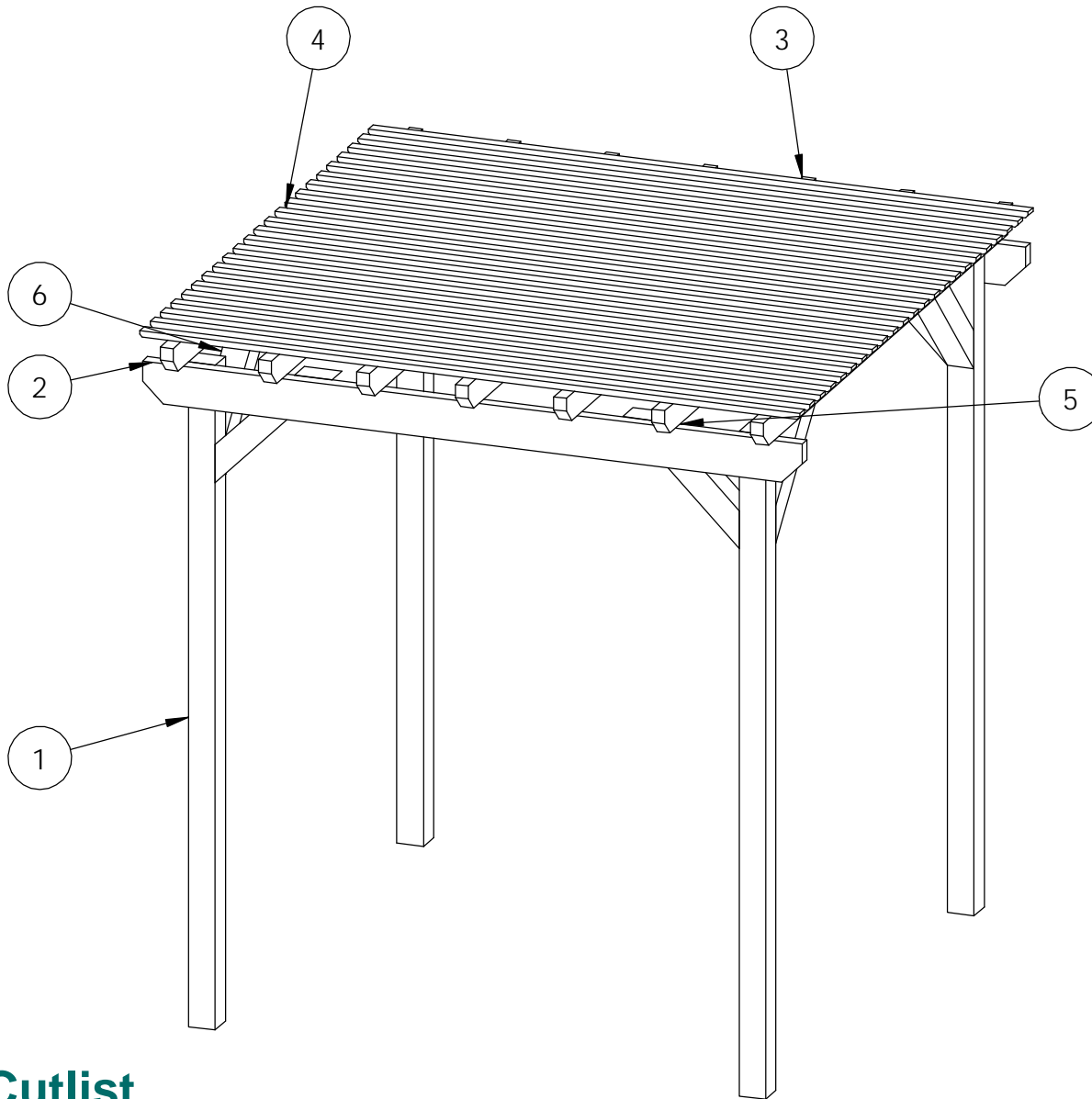


56675



56627

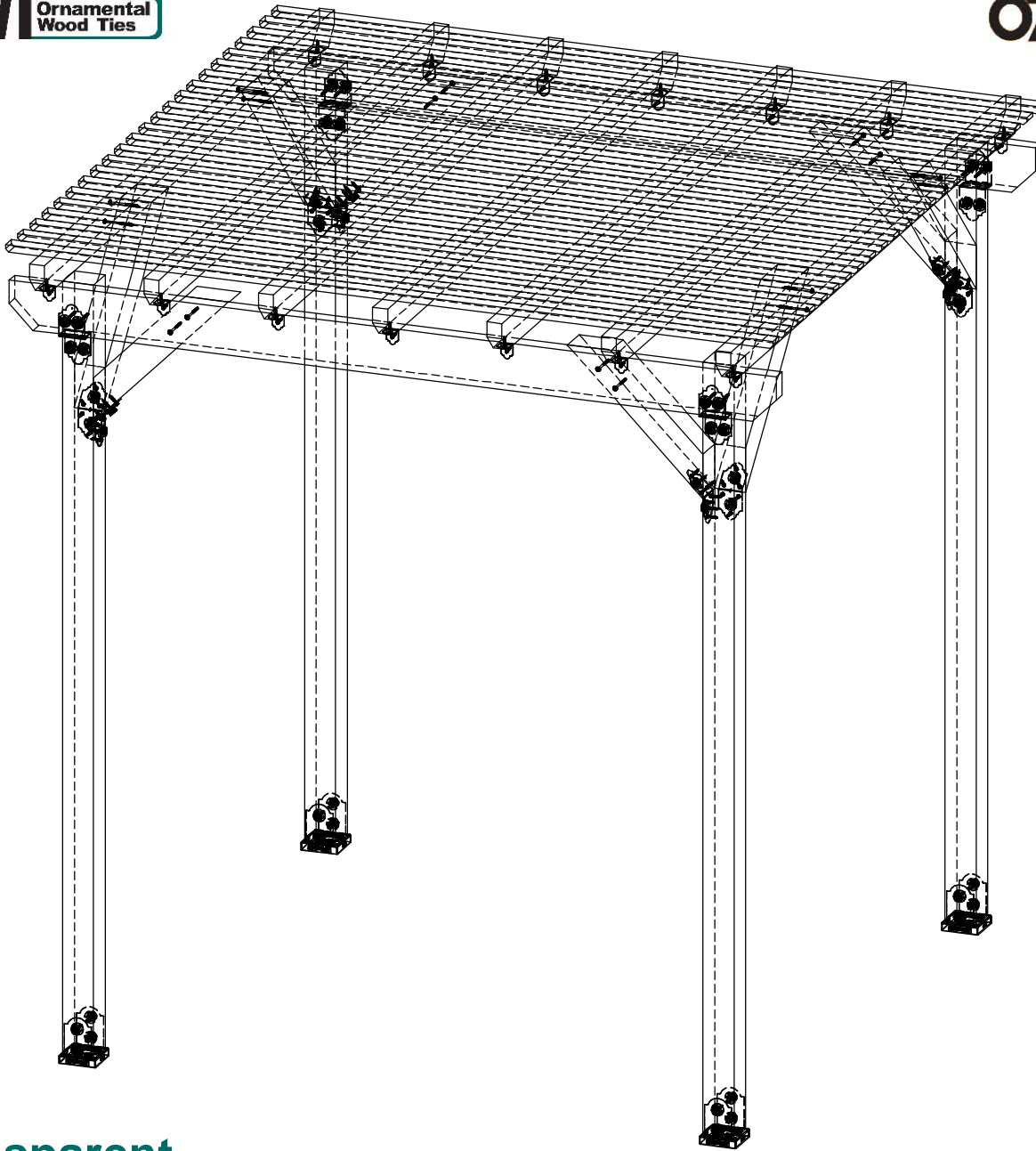




ITEM NO.	QTY.	DESCRIPTION	LENGTH
1	4	4x4 Cedar	8'
2	2	2x6 Cedar	8'
3	7	2x4 Cedar	8'
4	23	1x2 Cedar	8'
5	4	4x4 Cedar	2'
6	4	4x4 Cedar	2'5 1/2"

## Cutlist

OZCO Project #282 - Pergola 8x8 with 4x4 Posts with Lite Products



## Transparent

OZCO Project #282 - Pergola 8x8 with 4x4  
Posts with Lite Products