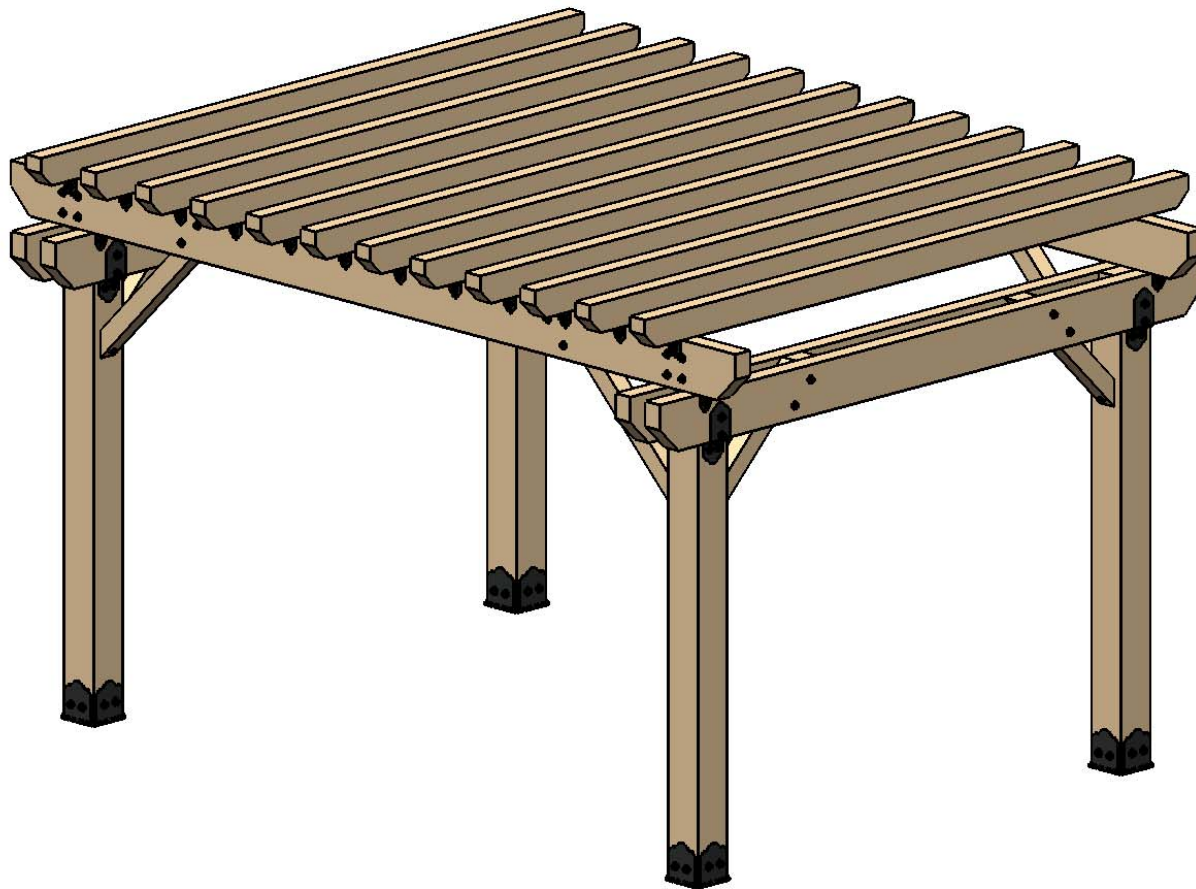
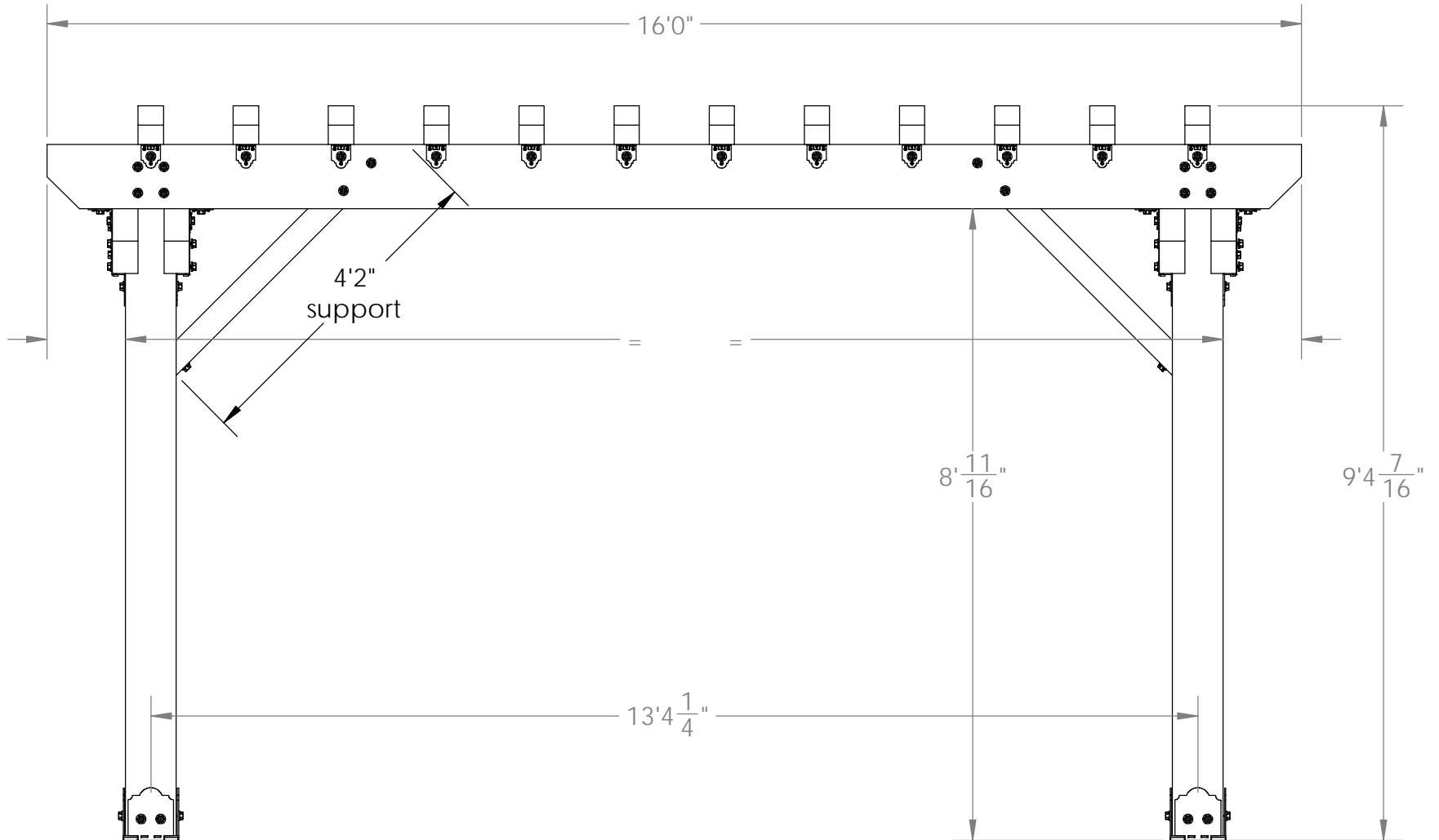


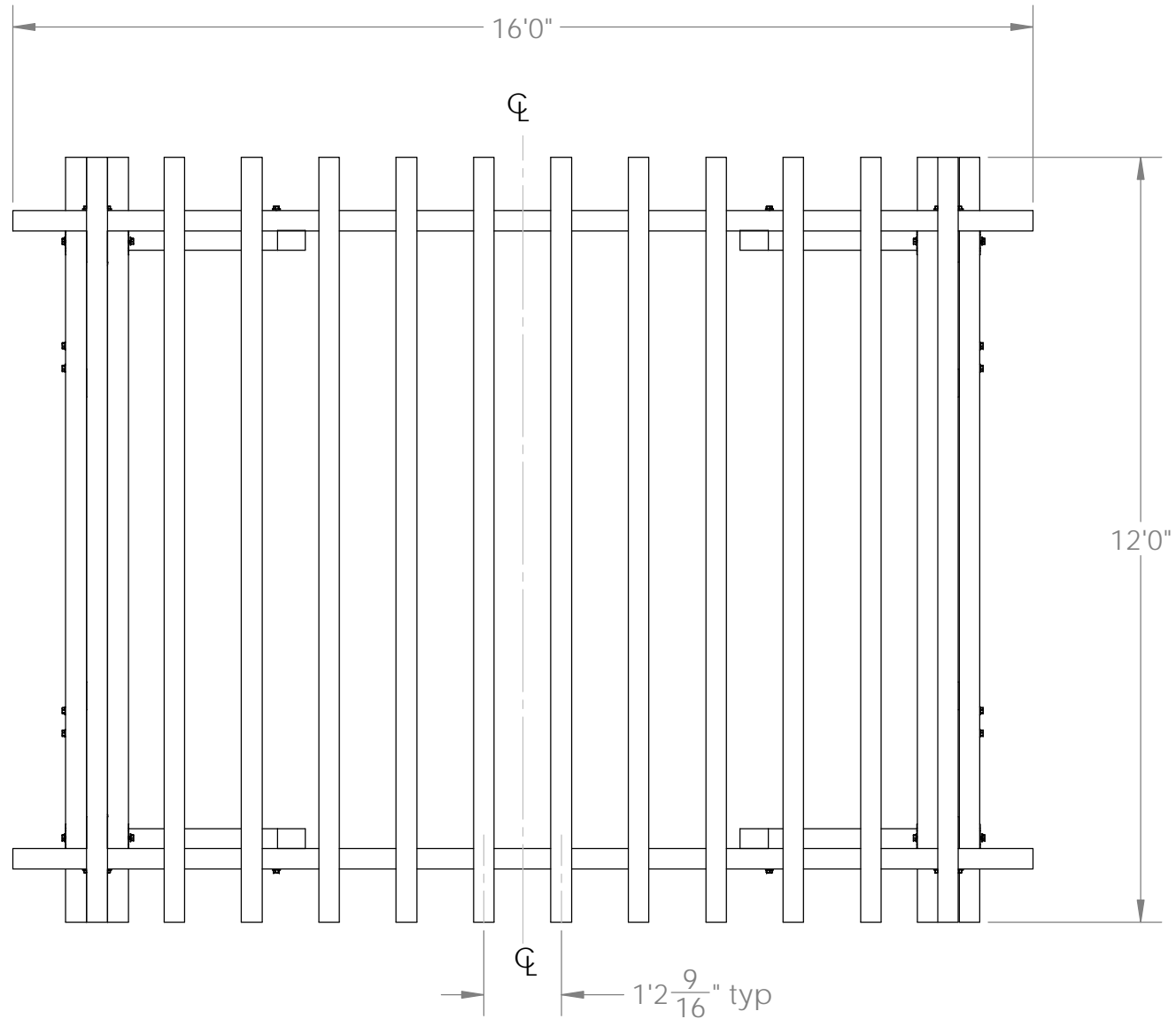
# Project 304 Deck Pergola





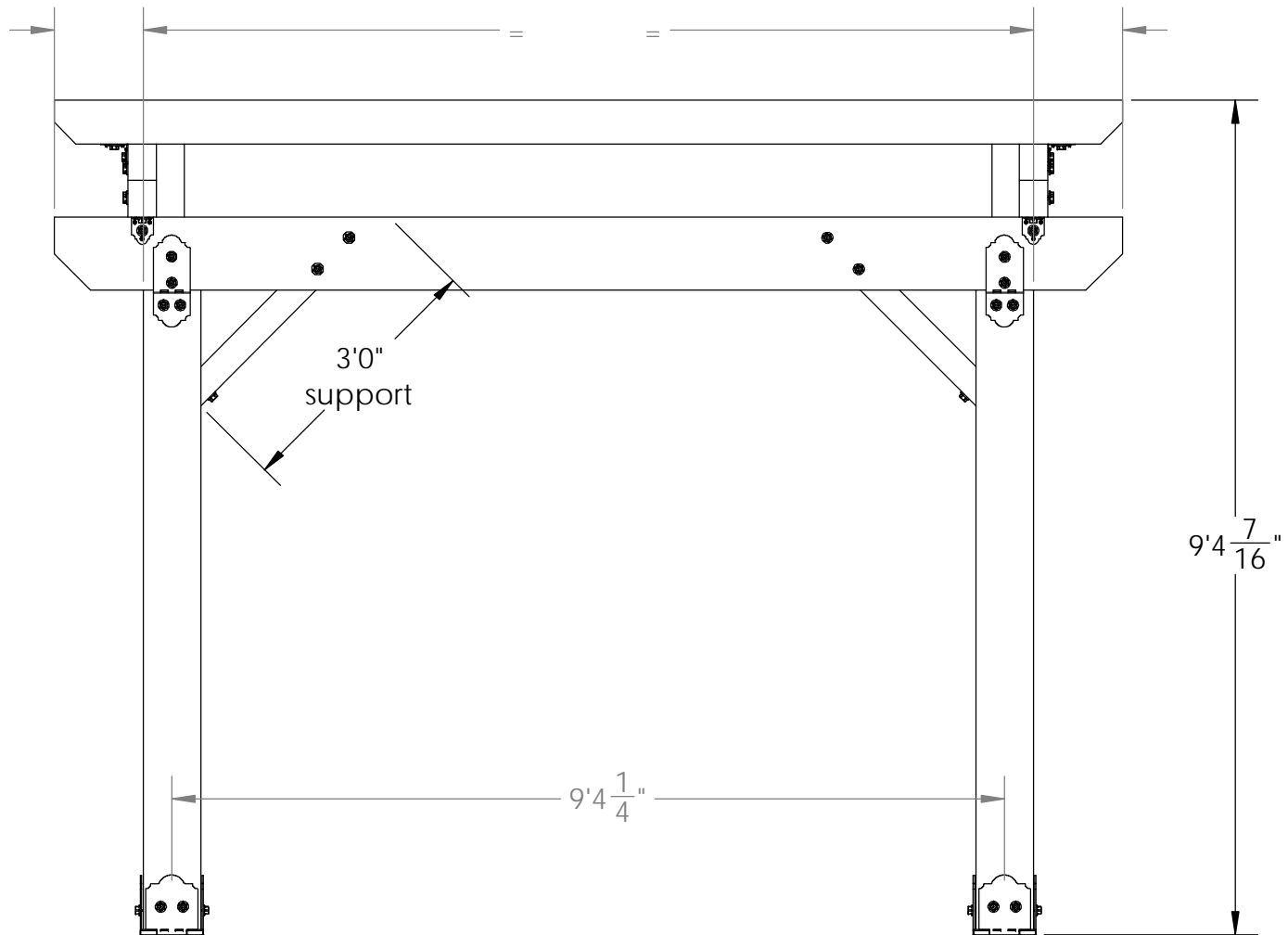
## Overview-Front

OZCO Project #304 - Deck Pergola



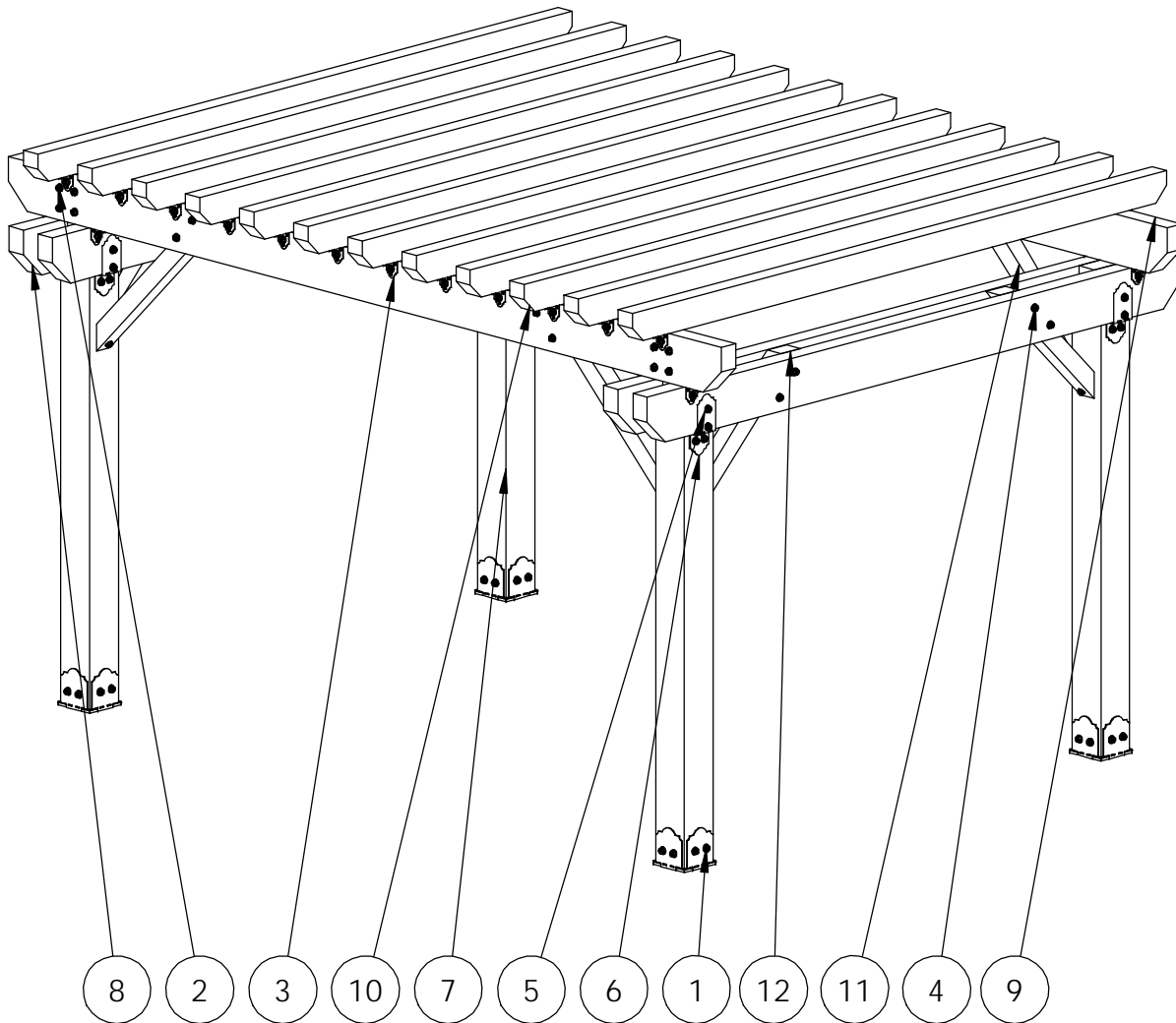
## Overview-Top

OZCO Project #304 - Deck Pergola



## Overview-Right

OZCO Project #304 - Deck Pergola



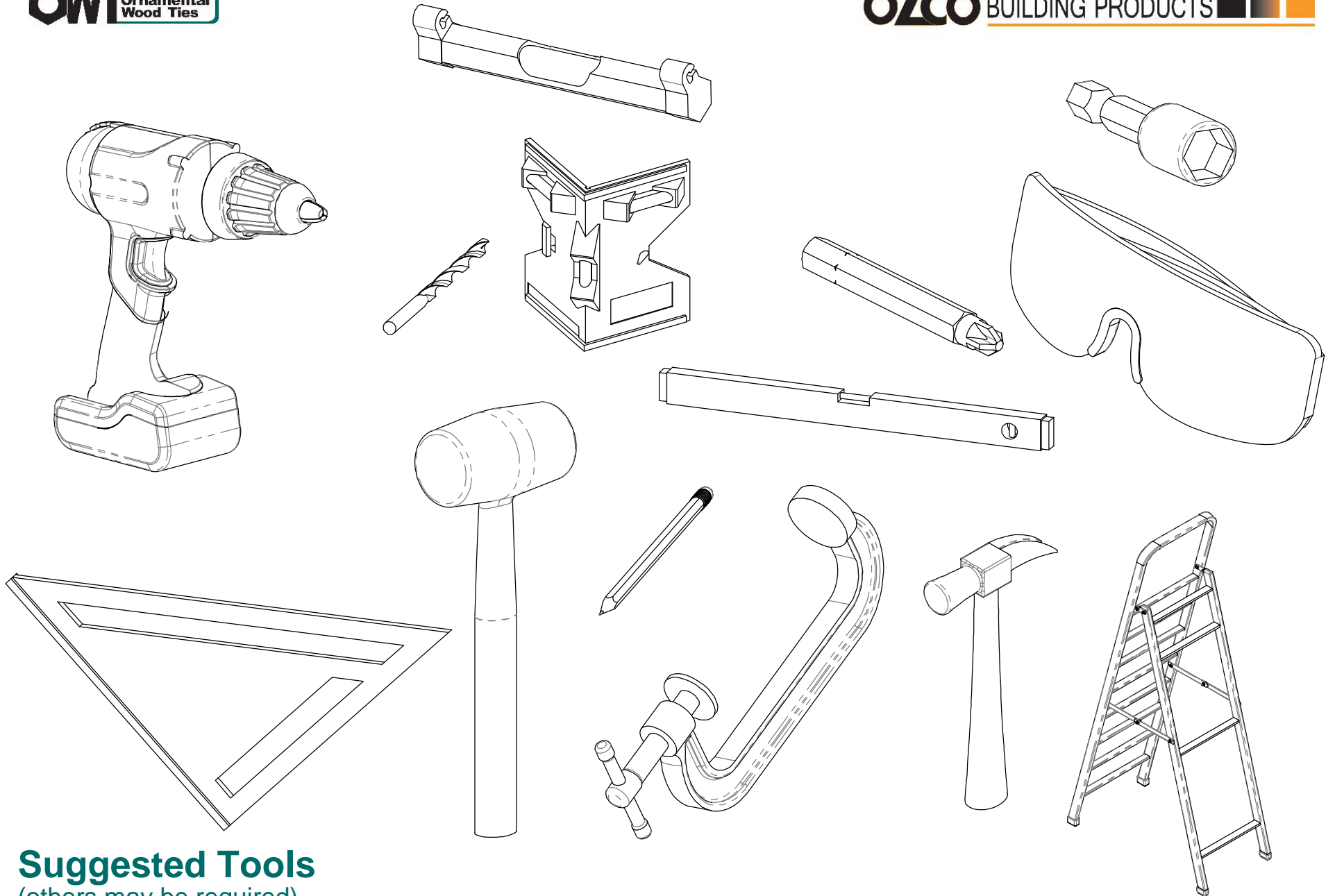
ITEM NO.	QTY.	PART NUMBER	DESCRIPTION
1	4	56609	8x8 Post Base (8x8-PB-LS)
2	1	56625	Screw, OWT 1-3/4" (45mm) Timber with HCN
	2	56621	1 1/2" Hex Cap Nut (HCN)
3	4	56618	4" Standard Rafter Clips (RC-LS-4)
4	1	56628	Screw, OWT 5-3/4" (145mm) Timber with HCN
	2	56621	1 1/2" Hex Cap Nut (HCN)
5	8	56652	OWT Timber Bolt 10-12"
6	4	56637	Post to Beam Bolt Inline (P2B-BI-LS)
7	4	8x8 Cedar Post	8x8x8'0"
8	4	4x10 Cedar Board	4x10x12'0"
9	2	4x10 Cedar Board	4x10x16'0"
10	12	4x6 Cedar Board	4x6x12'0"
11	4	4x4 Cedar Support	4x4x4'2"
12	4	4x4 Cedar Support	4x4x3'0"

## Bill of Material

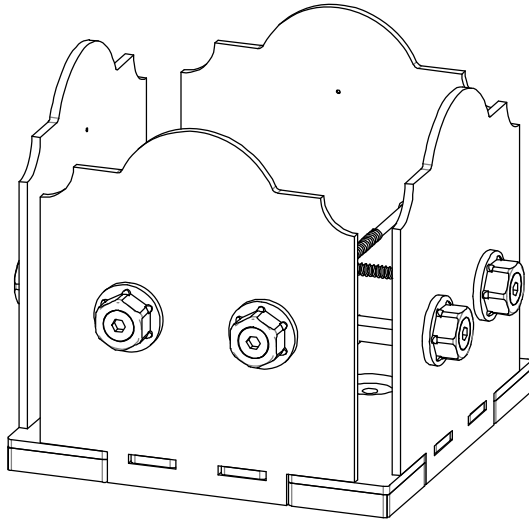
OZCO Project #304 - Deck Pergola

QTY.	PART NUMBER	DESCRIPTION
4	56609	8x8 Post Base (8x8-PB-LS)
4	56618	4" Standard Rafter Clip (RC-LS-4)
1	56625	Screw, OWT 1-3/4" (45mm) Timber with HCN
4	56621	1 1/2" Hex Cap Nut (HCN)
8	56652	OWT Timber Bolt 10-12"
4	56637	Post to Beam Bolt Inline (P2B-BI-LS)
1	56628	Screw, OWT 5-3/4" (145mm) Timber with HCN
4	8x8x8L	8x8x8
4	4x10x12L	4x10x12
12	4x6x12L	4x6x12
2	4x4x8L	4x4x8
2	4x10x16L	4x10x16
1	4x4x12	4x4x12

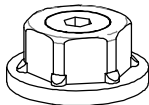
## Material List



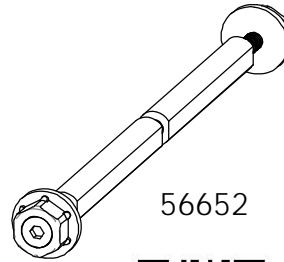
**Suggested Tools**  
(others may be required)



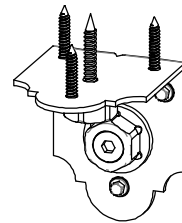
56609



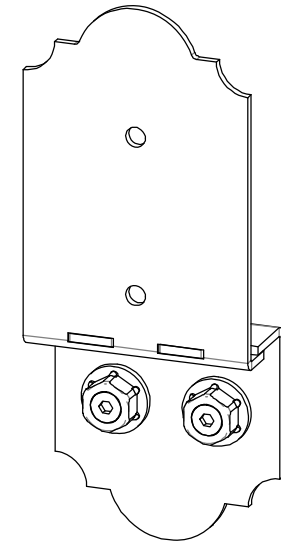
56621



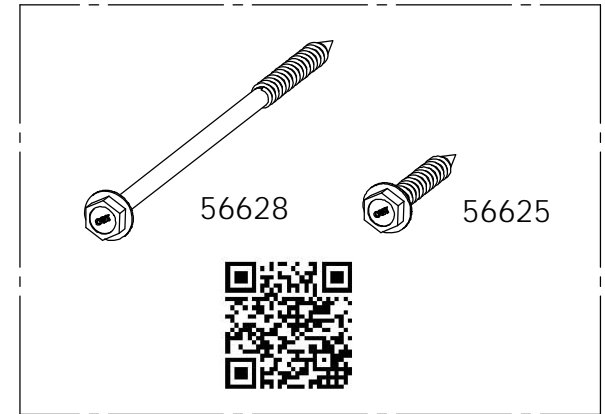
56652



56618



56637



56628

56625





# Laredo Sunset & Ironwood

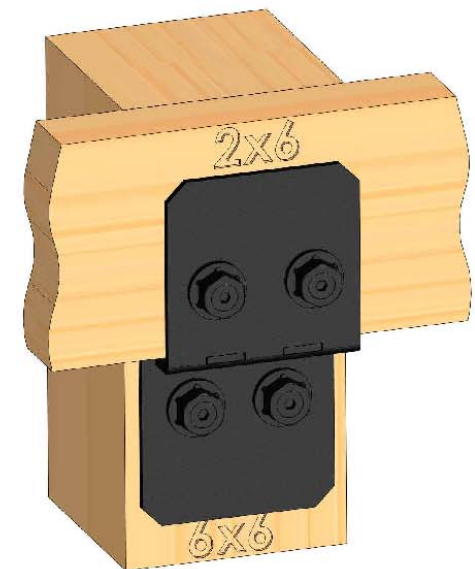


Laredo Sunset  
(566XX series)

2 great styles  
Same functionality

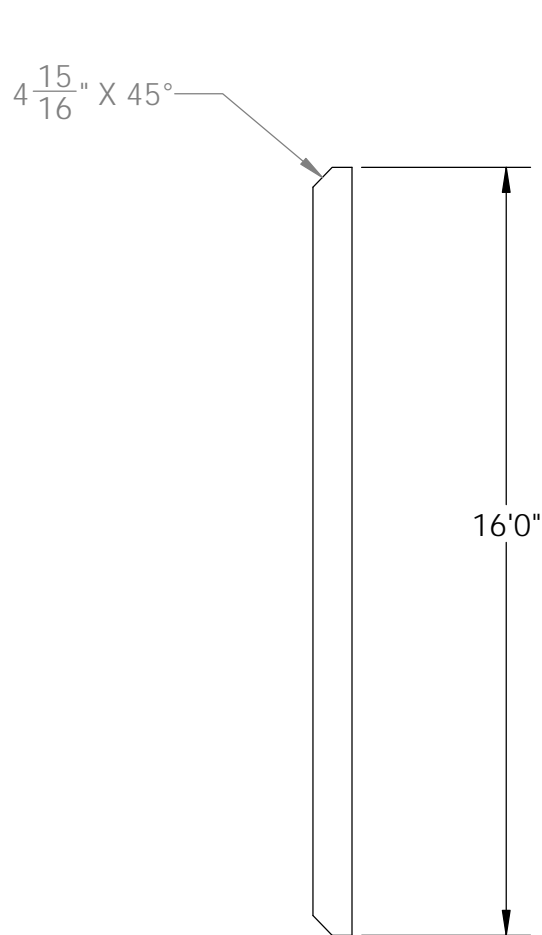
choose your  
connection lifestyle

both styles available for  
most products

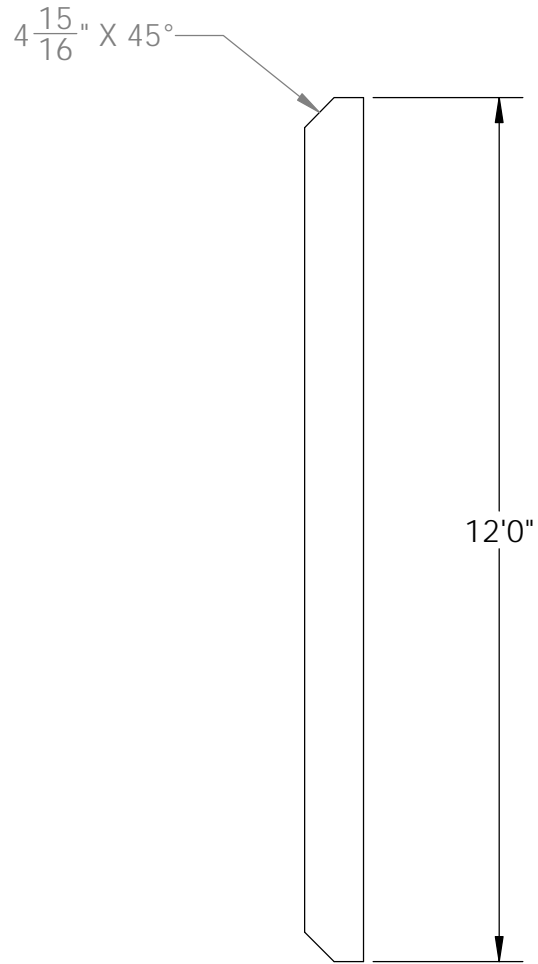


Ironwood  
(517XX series)

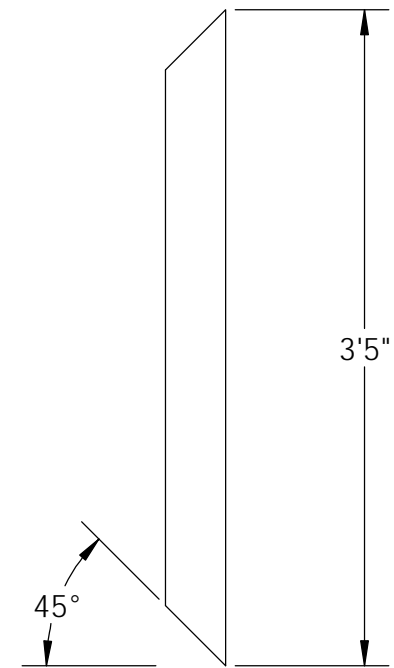




4x10 Cedar Board  
16 with 45 cuts

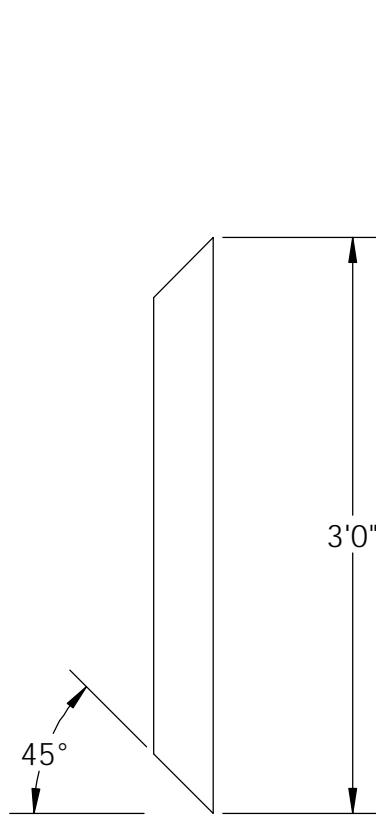


4x10 Cedar Board  
12 with chamfered cuts

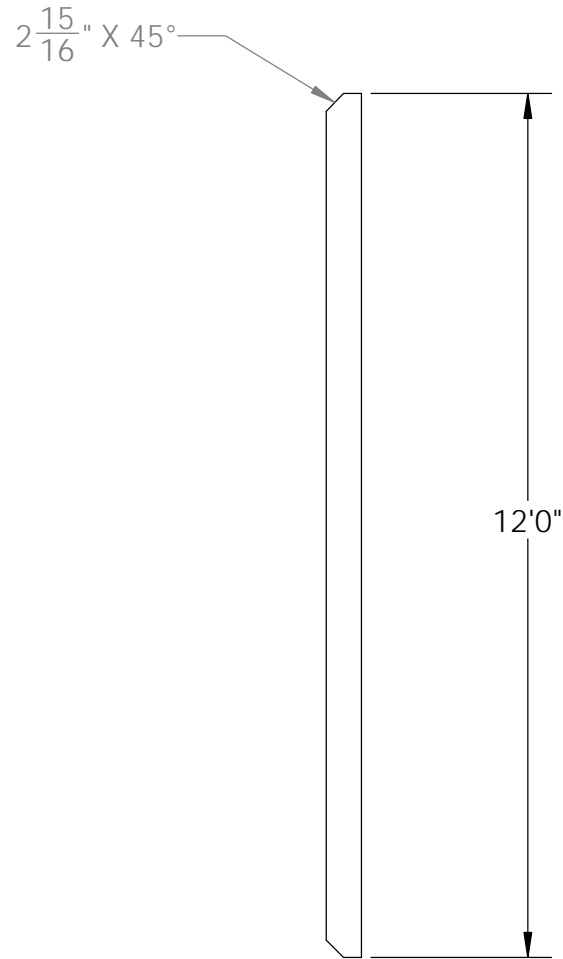


4x4 Cedar Support  
41"

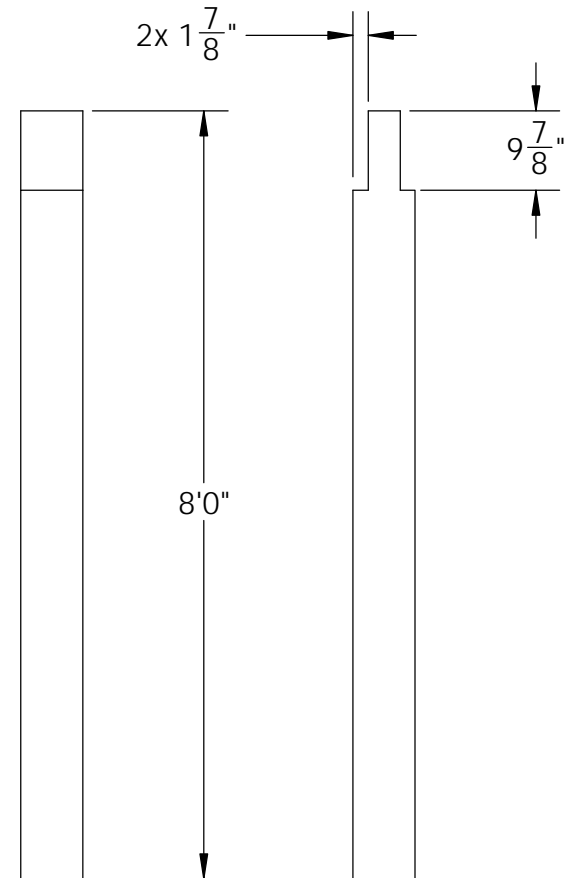
## cutlist 1



4x4 Cedar Support  
3

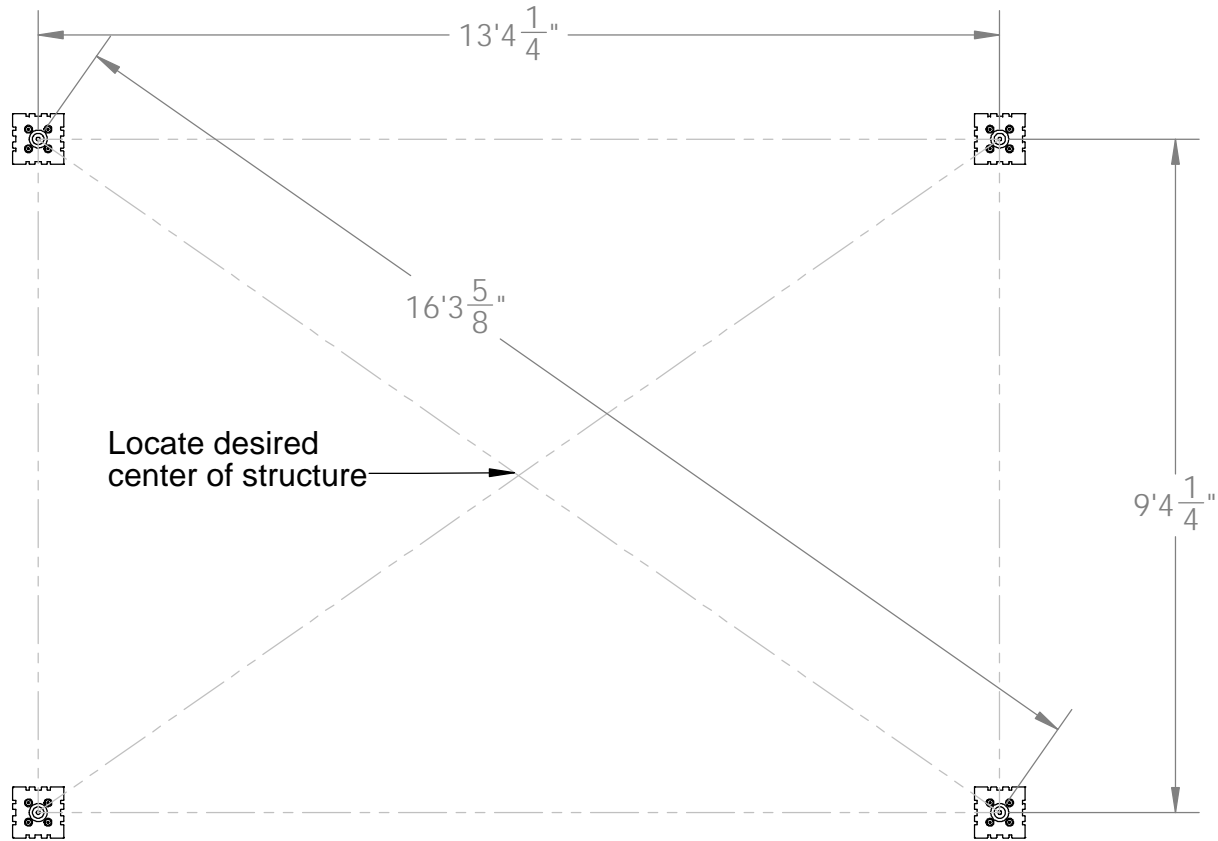


4x6 Cedar Board  
12 with 45 cuts



8x8 Cedar Post  
8 with twin dato cut for 10" beam

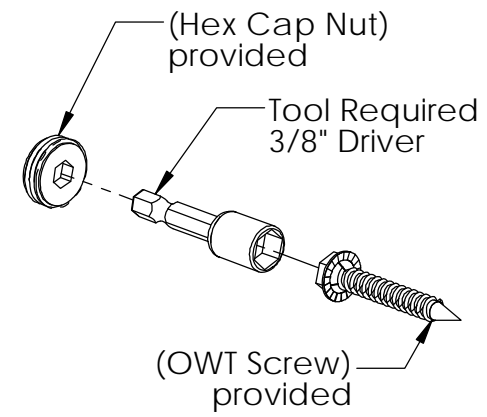
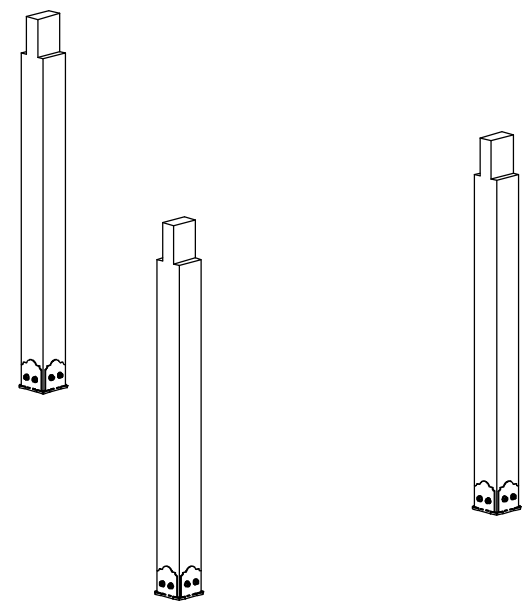
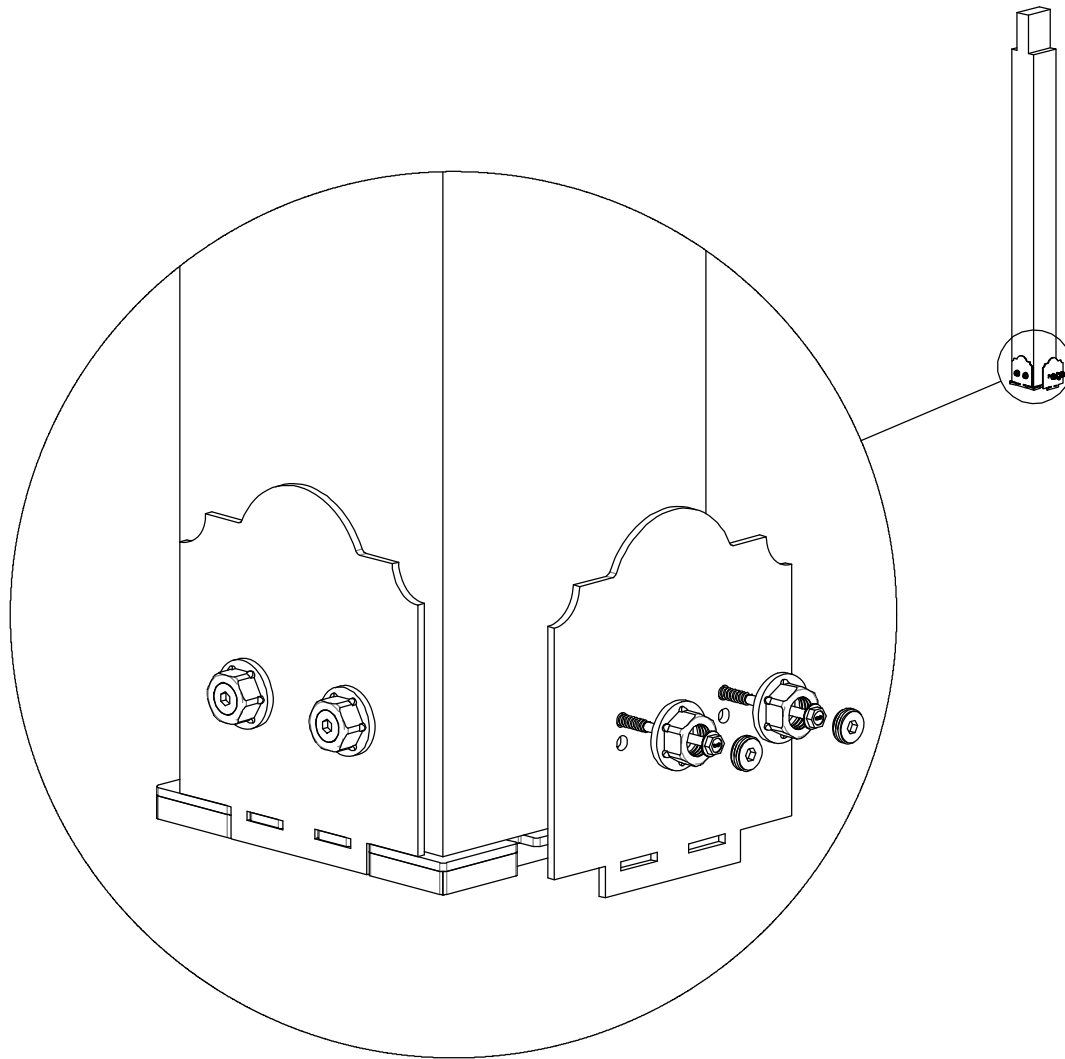
## cutlist 2



if site is not level,  
see Ozco Site Leveling instruction

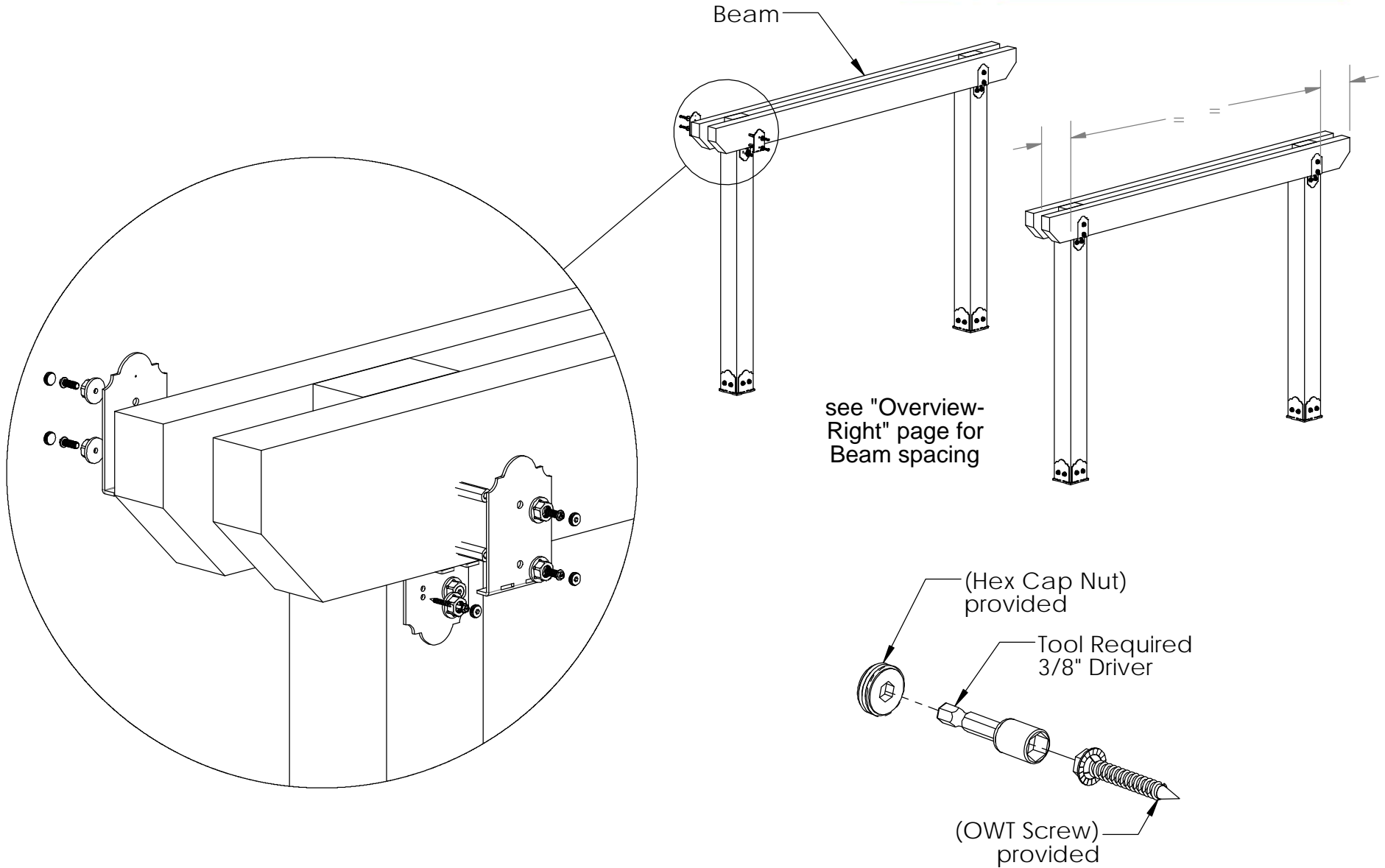


## Site Plan



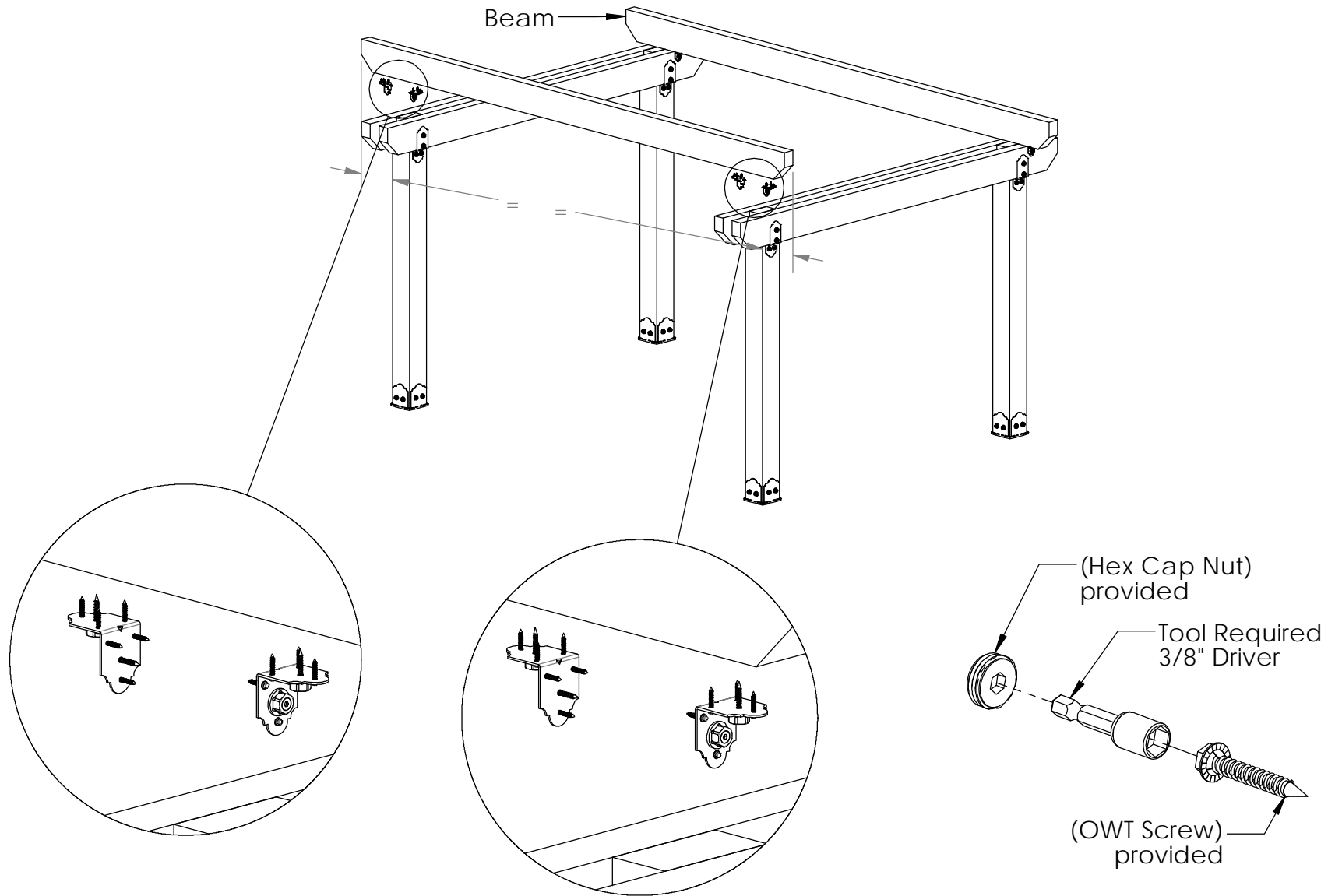
# step 1

OZCO Project #304 - Deck Pergola



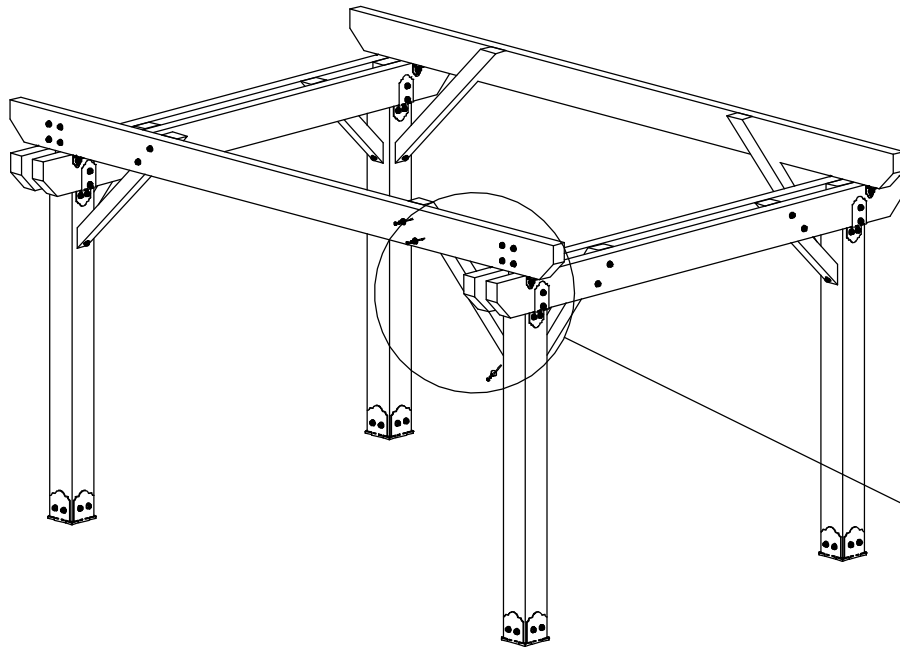
## step 2

OZCO Project #304 - Deck Pergola

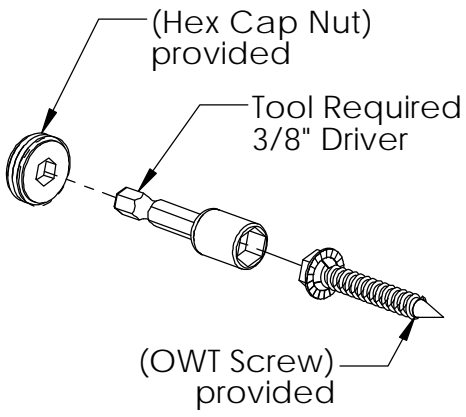
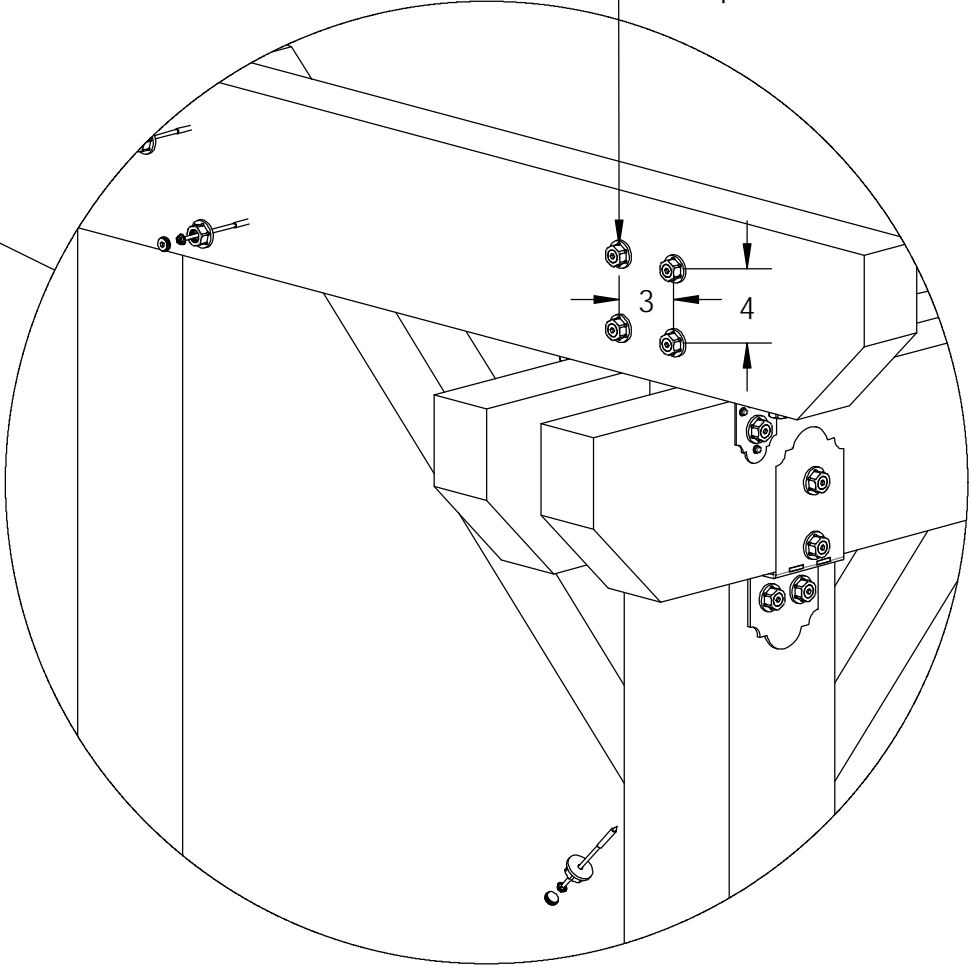


### step 3

OZCO Project #304 - Deck Pergola

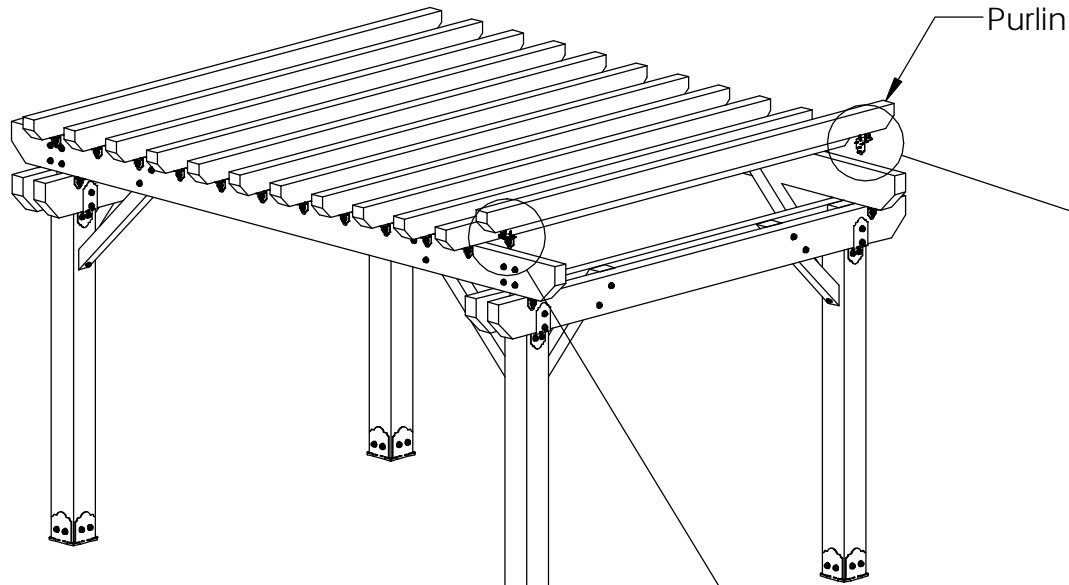


install in decorative (3"x4") pattern centered on post and beam

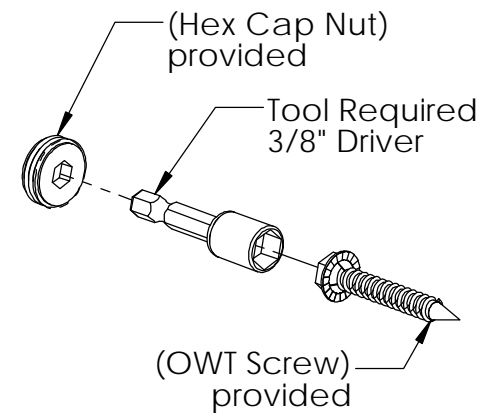
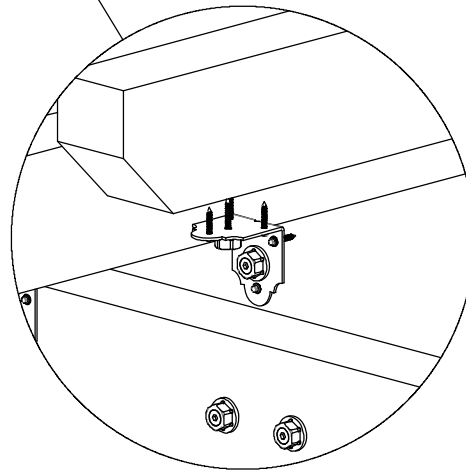
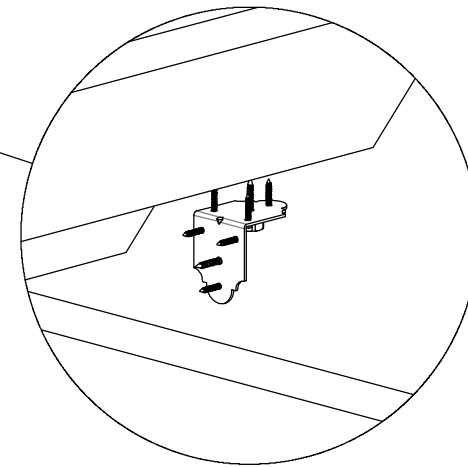


## step 4





see "Overview-Top" page for Purlin spacing



## step 5



## Translucent

OZCO Project #304 - Deck Pergola