

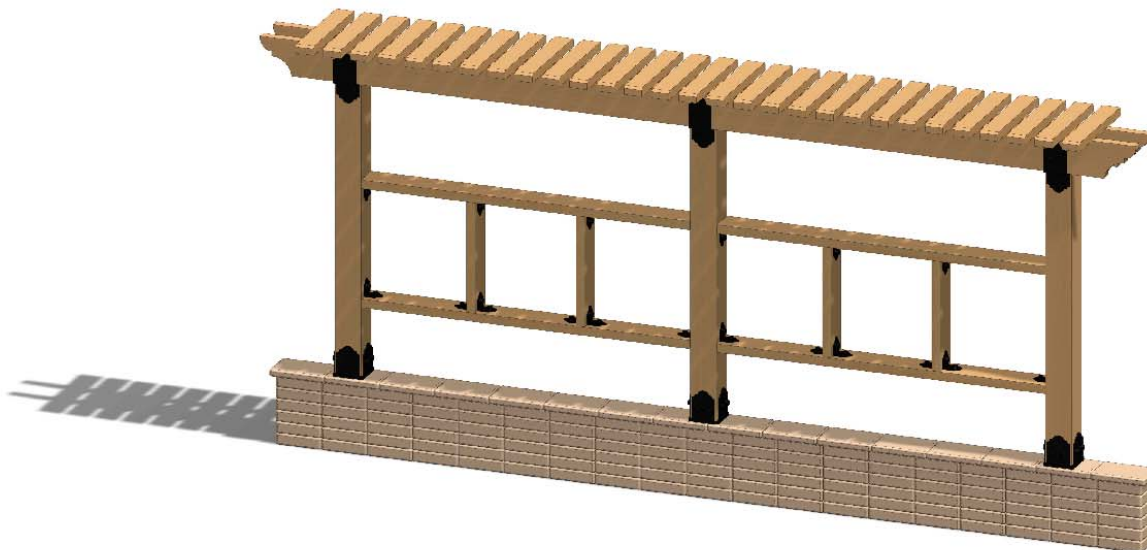
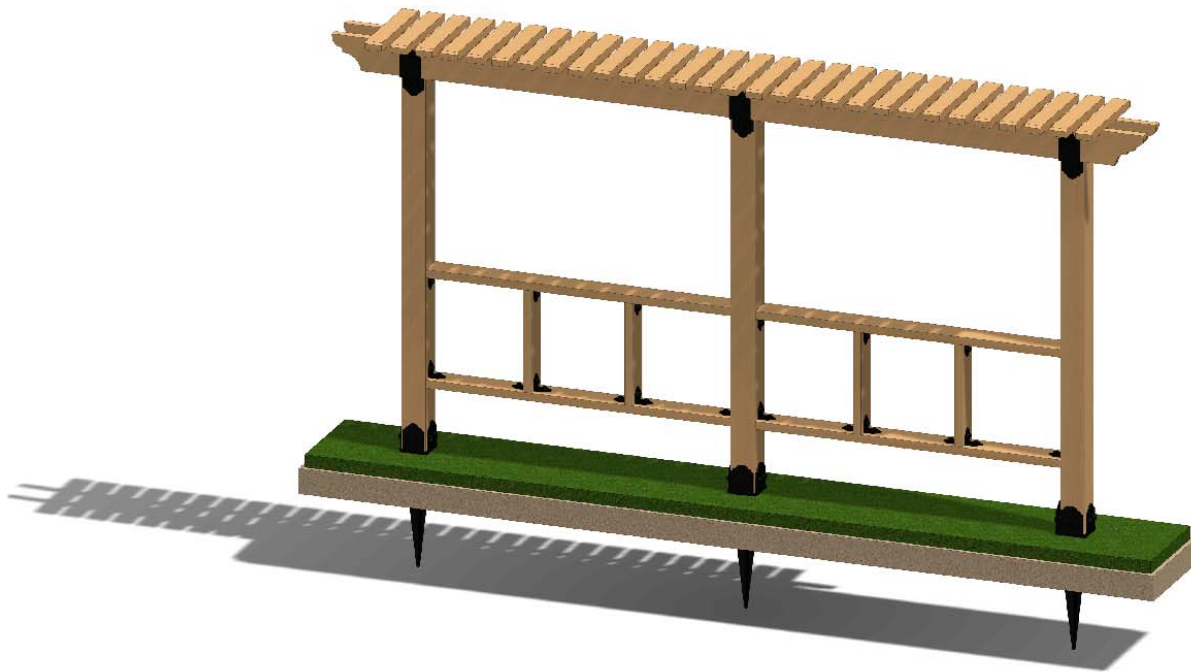
DESIGN

PURCHASE

CONSTRUCT

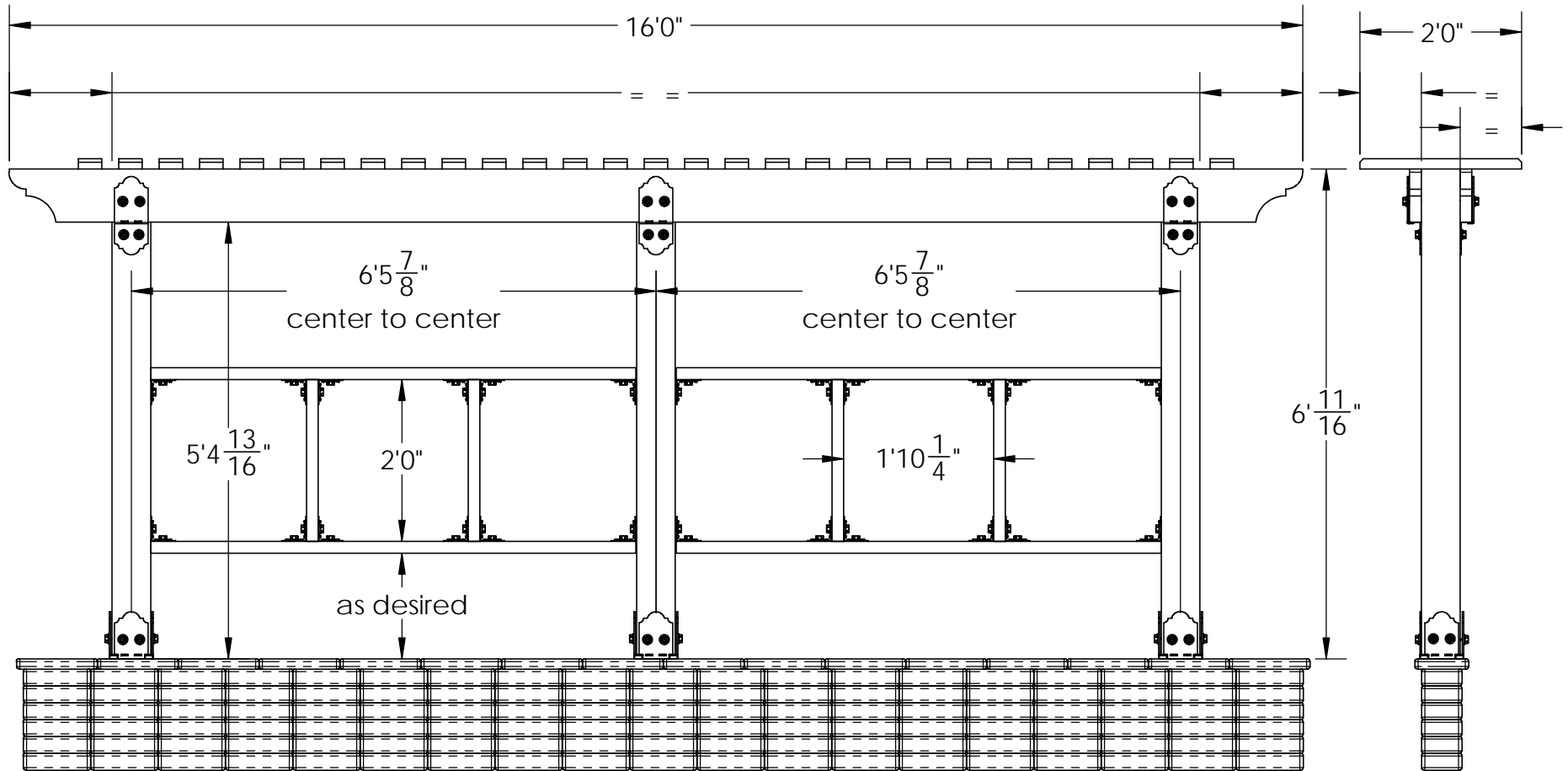
ENJOY

OZCO Project #317 - Decorative Barrier



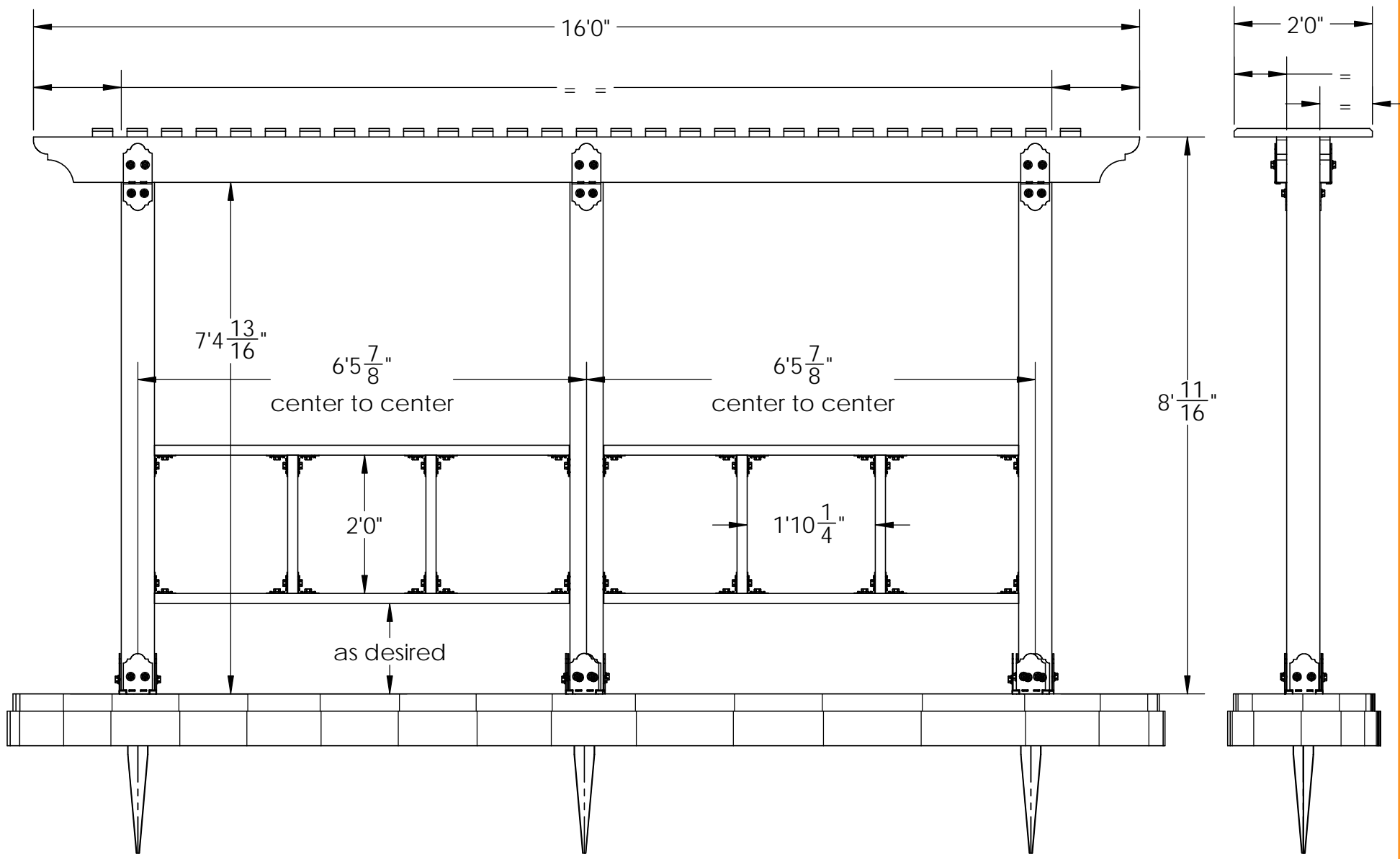
OZCO Project #317 - Decorative Barrier





Surface Mount

OZCO Project #317 - Decorative Barrier



Ground Mount

OZCO Project #317 - Decorative Barrier

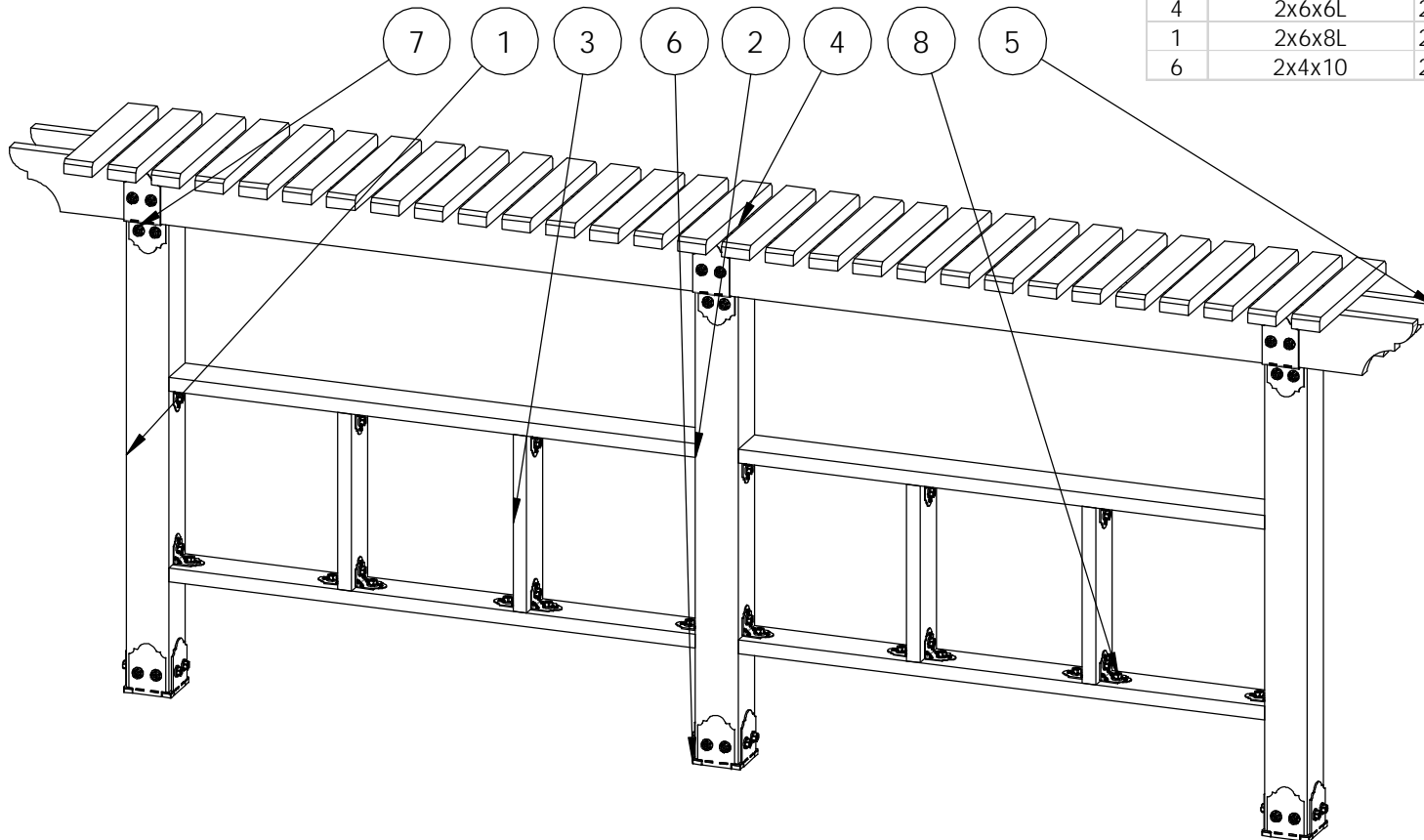
Surface Mount installation

1. substitute 56608 with 56633
2. use longer posts (as desired)

ITEM NO.	QTY.	PART NUMBER	DESCRIPTION
1	3	6x6 Cedar Post	6x6x72.00 (or as desired)
2	4	2x6 Cedar Board	2x6x6'0"
3	4	2x6 Cedar Board	2x6x2'0"
4	29	2x4 Cedar Board	2x4x2'0"
5	2	2x8 Cedar Board	2x8x16'0"
6	3	56608	6x6 Post Base Kit (6X6-PB-LS)
7	3	56610	Lite 8" Post 2 Beam (8- P2B-LSL)
8	3	56618	4" Standard Rafter Clips (RC-LS-4)

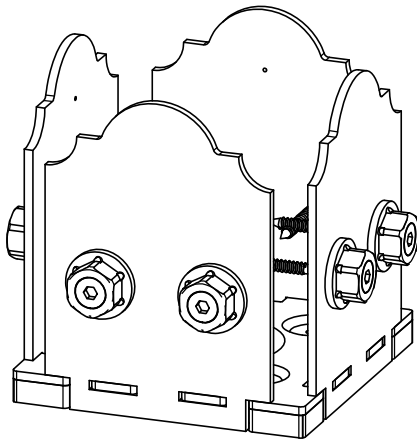
Material List

QTY.	PART NUMBER	DESCRIPTION
3	56608	6x6 Post Base (6x6-PB-LS)
3	56610	8" Post to Beam (P2B-LS-8)
3	56618	4" Standard Rafter Clip (RC-LS-4)
3	6x6x6	6x6x6
2	2x8x16L	2x8x16
4	2x6x6L	2x6x6
1	2x6x8L	2x6x8
6	2x4x10	2x4x10

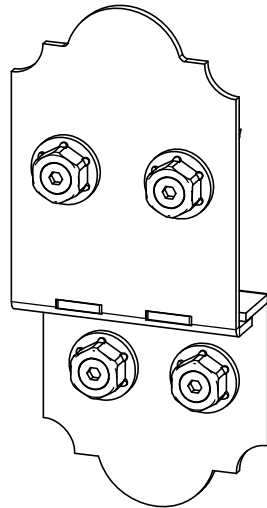


Bill of Material

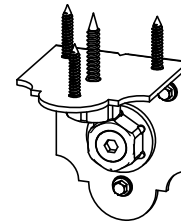
OZCO Project #317 - Decorative Barrier



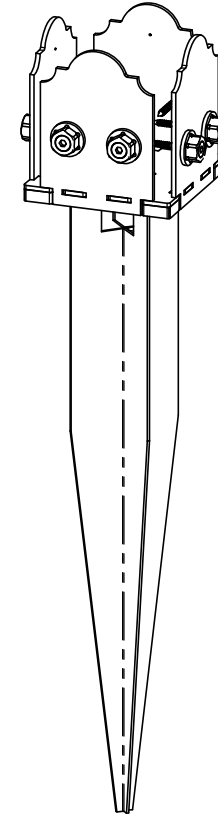
56608
(for surface mounting)



56610



56618



56633
(for ground mounting)



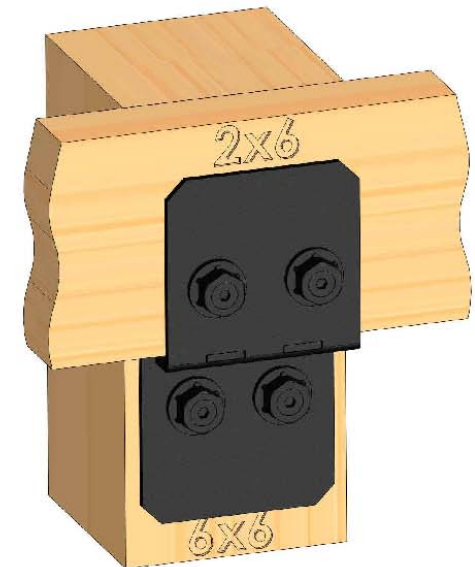
Laredo Sunset & Ironwood



Laredo Sunset
(566XX series)

2 great styles
Same functionality
choose your
connection lifestyle

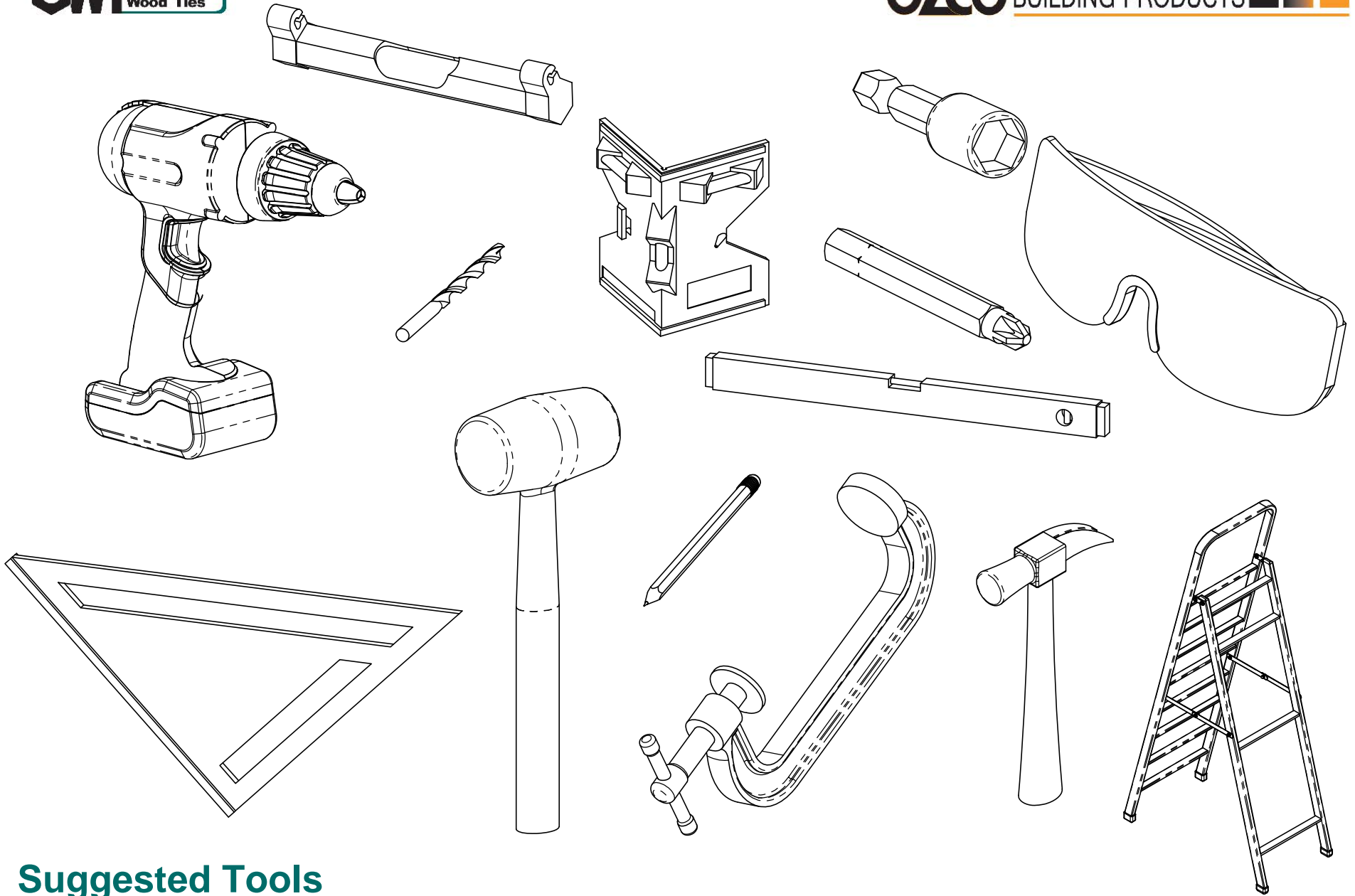
both styles available for
most products



Ironwood
(517XX series)



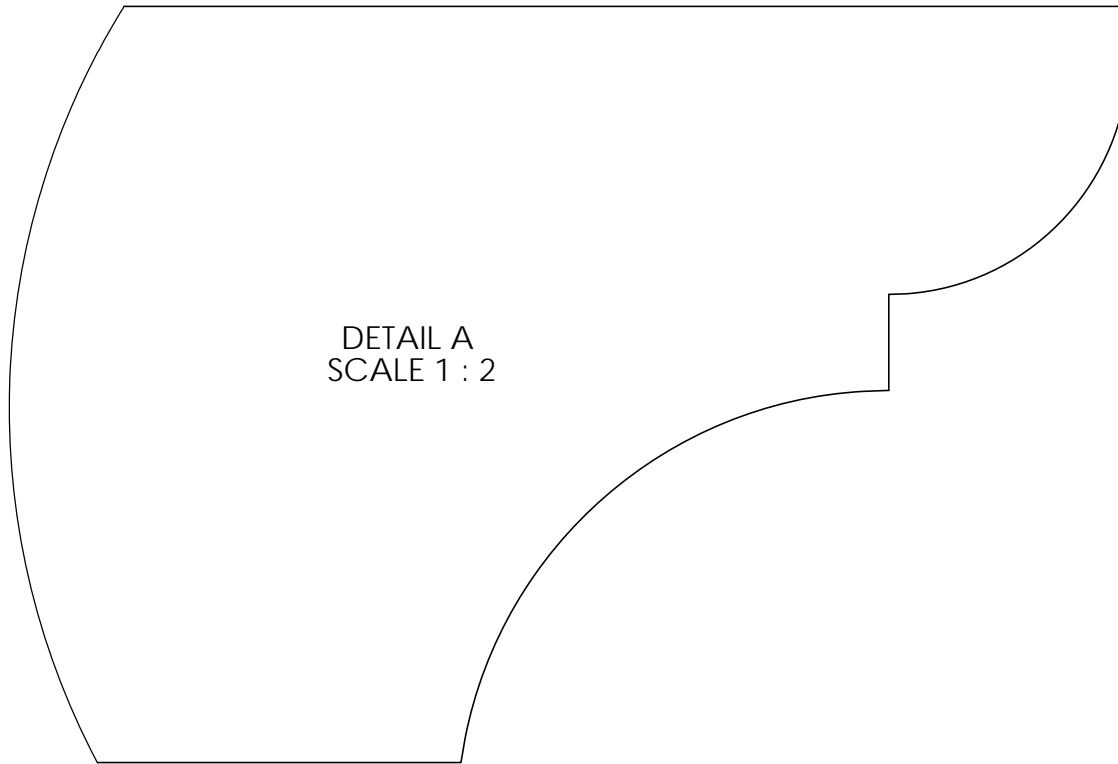
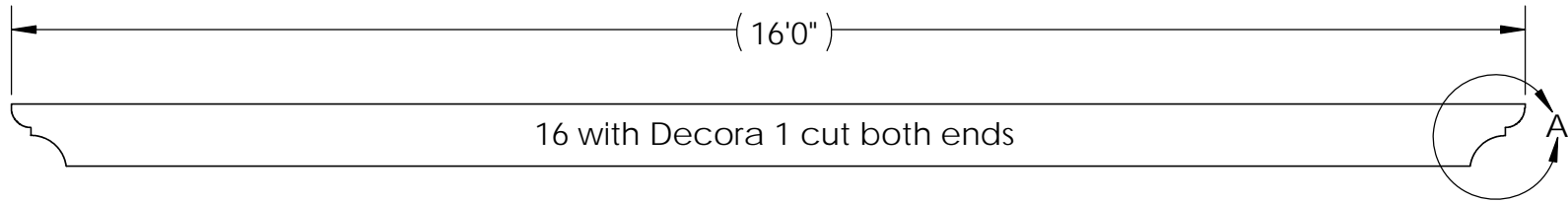
OZCO BUILDING PRODUCTS



Suggested Tools

(others may be required)

OZCO Project #317 - Decorative Barrier



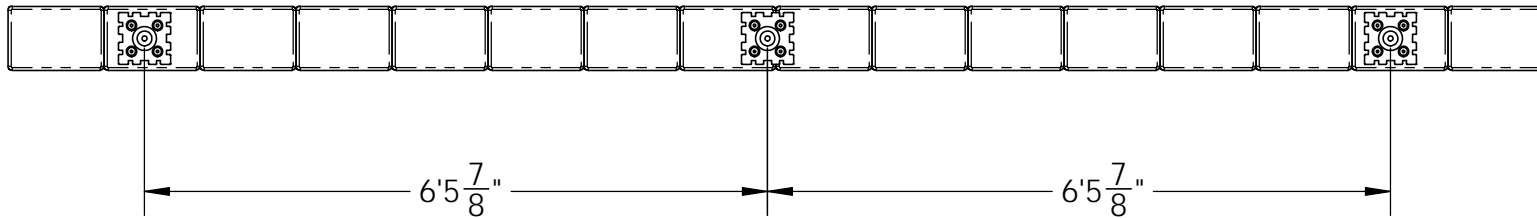
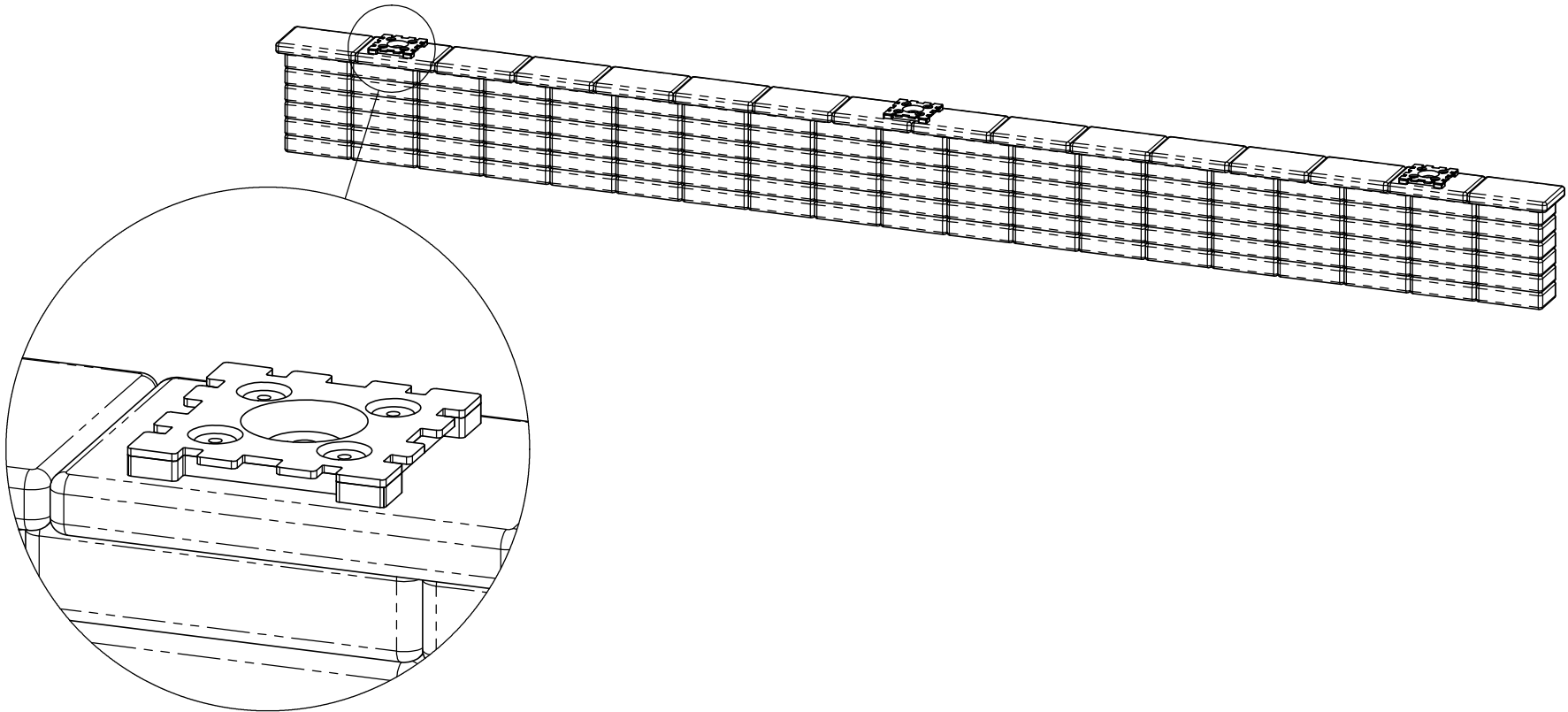
Template

(2x8x16 Board)

scale: 1:2
print 2x

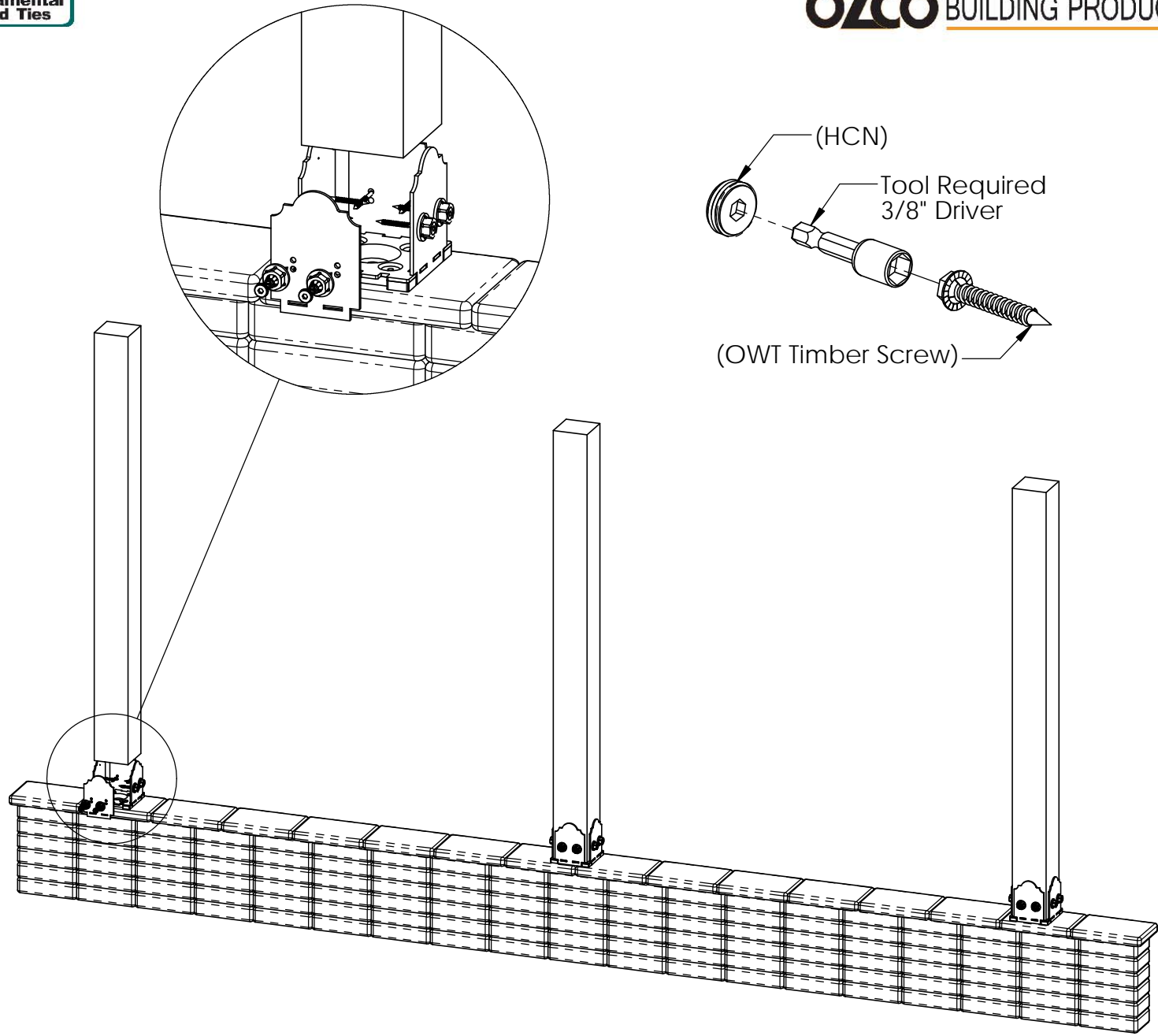
Template

OZCO Project #317 - Decorative Barrier



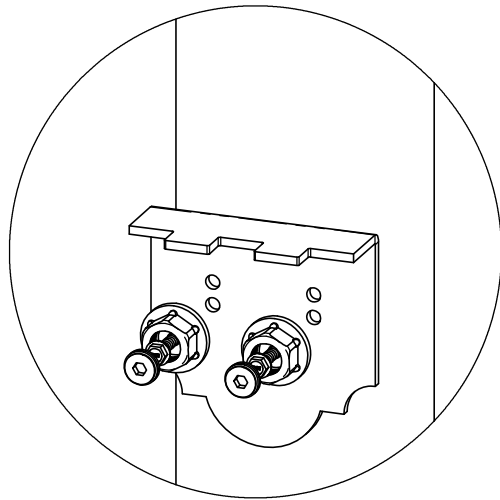
step 1

OZCO Project #317 - Decorative Barrier

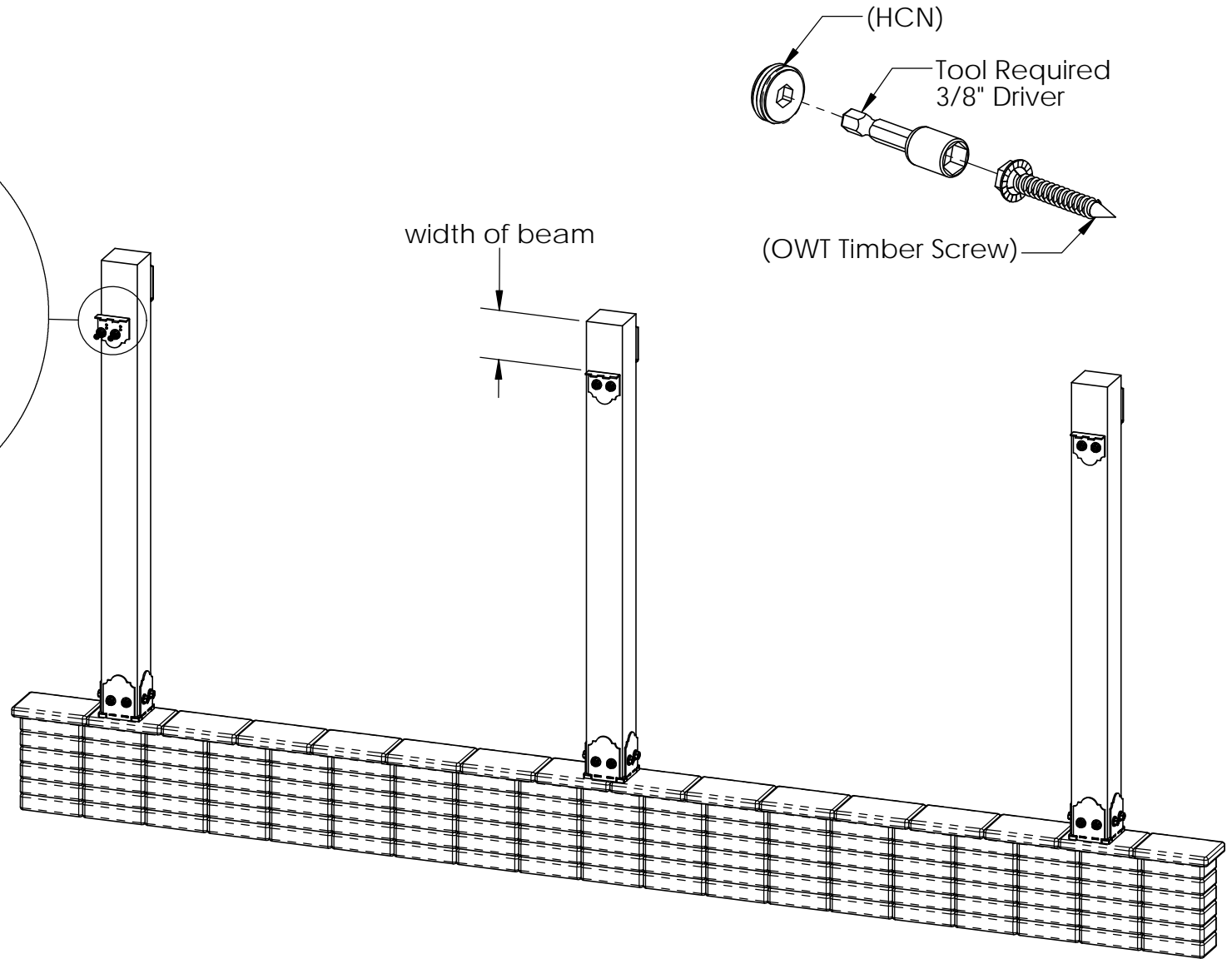


step 2

OZCO Project #317 - Decorative Barrier

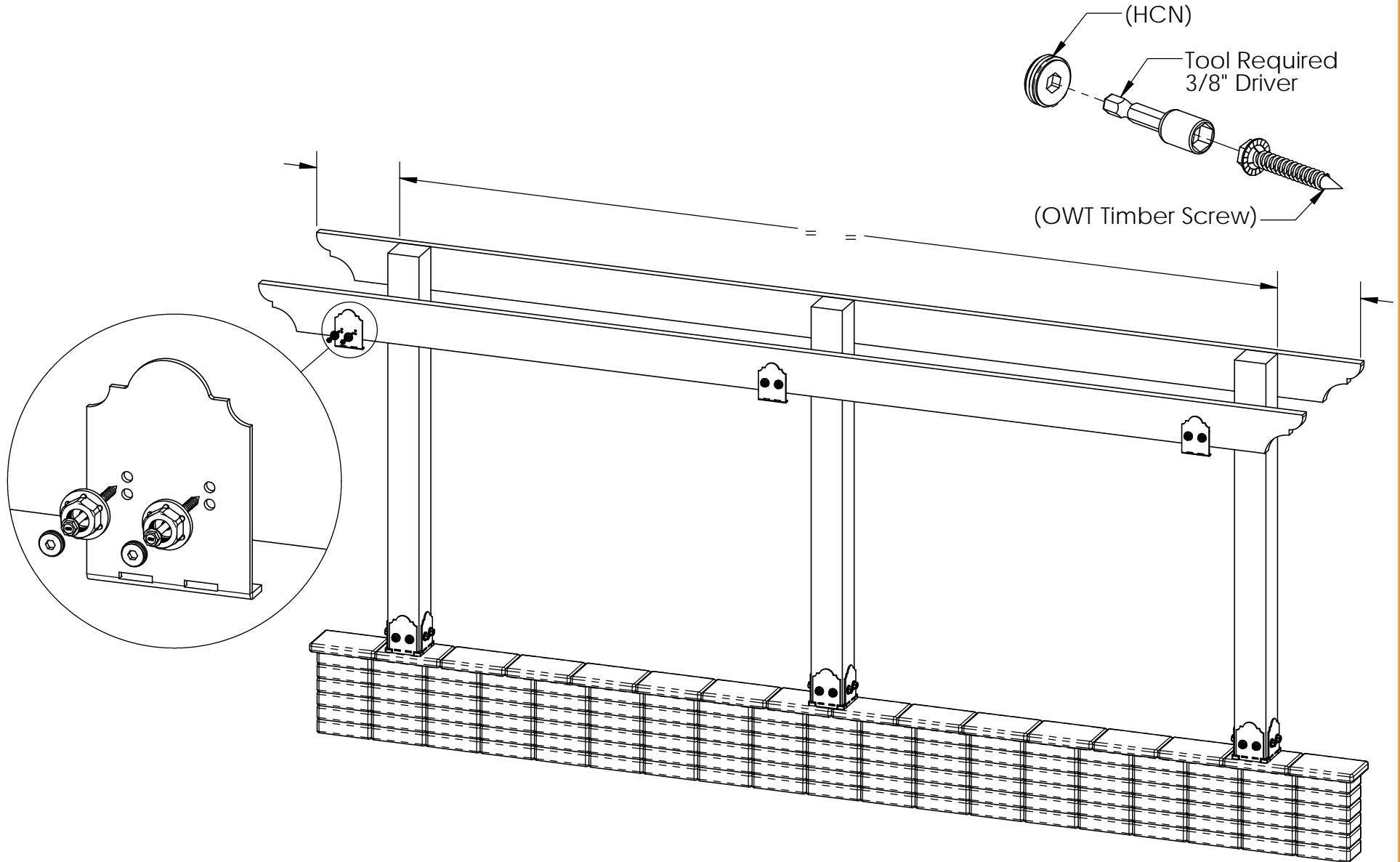


add to both
sides of posts



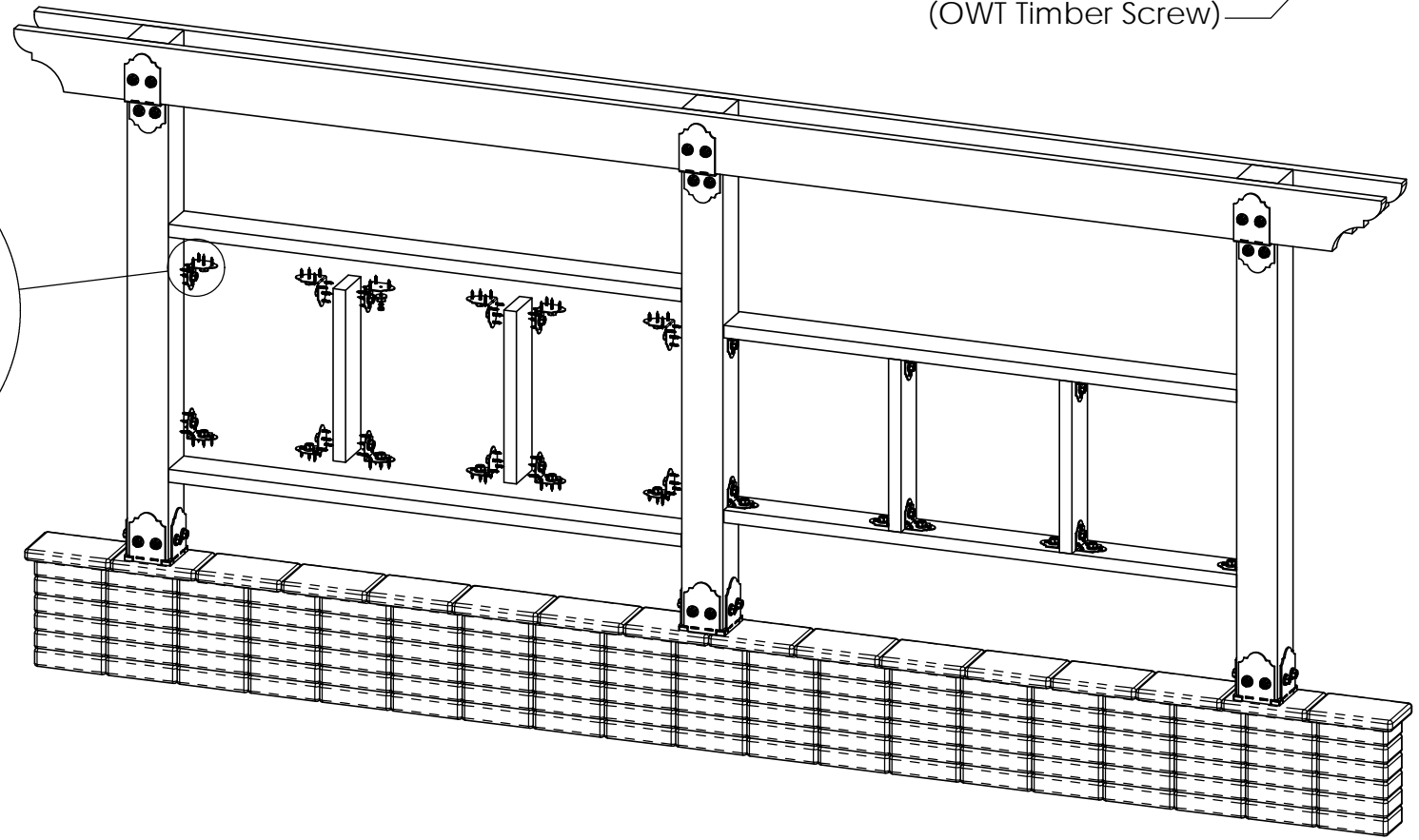
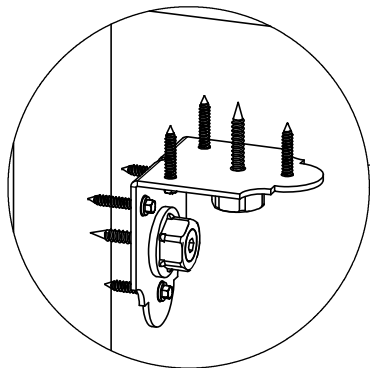
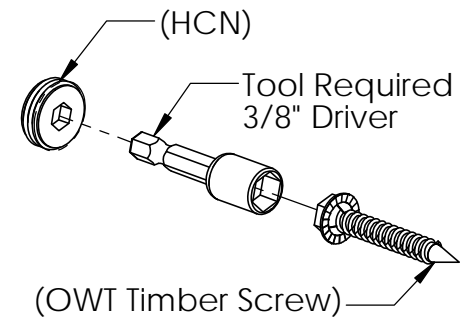
step 3

OZCO Project #317 - Decorative Barrier



step 4

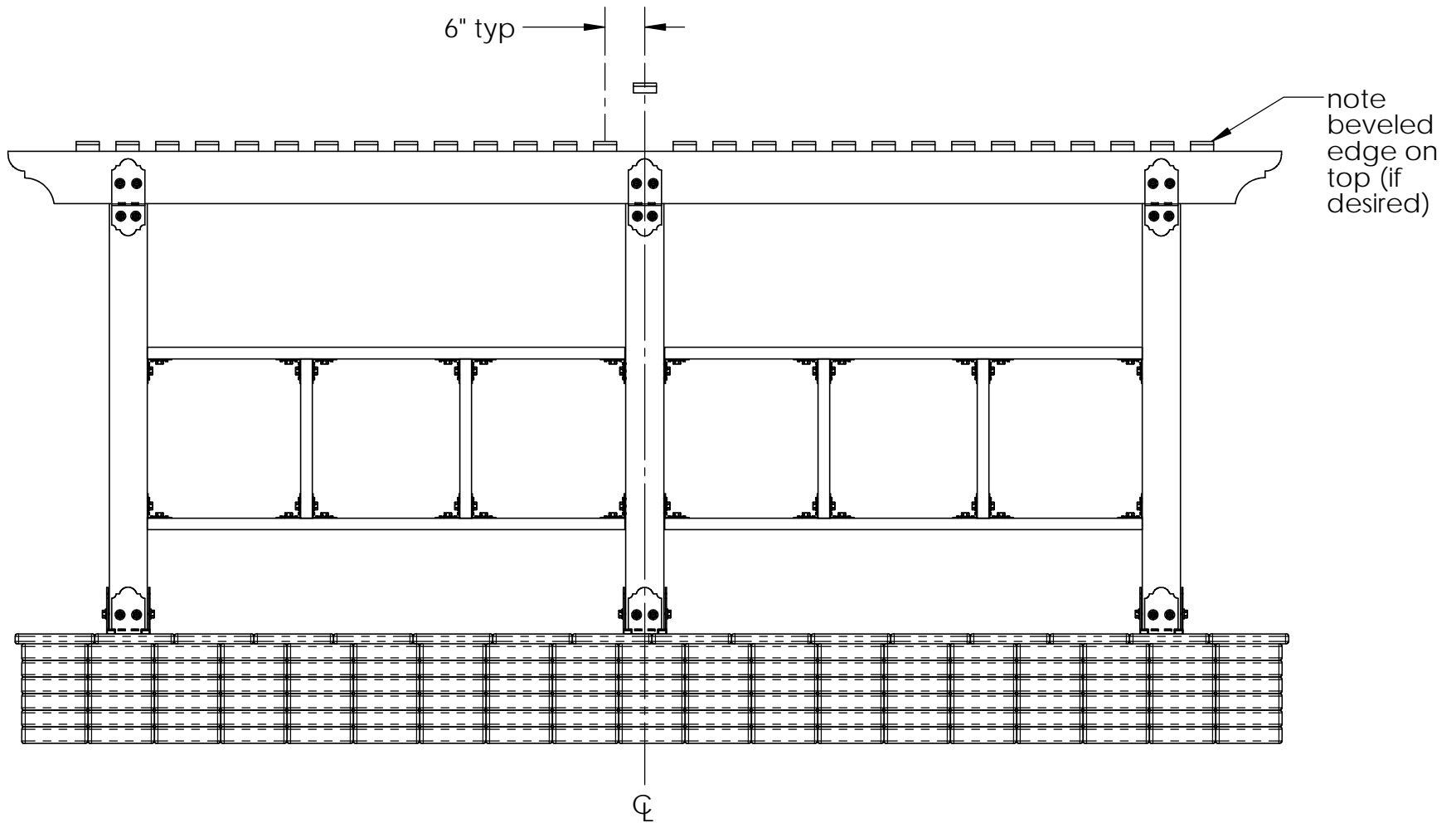
OZCO Project #317 - Decorative Barrier



step 5

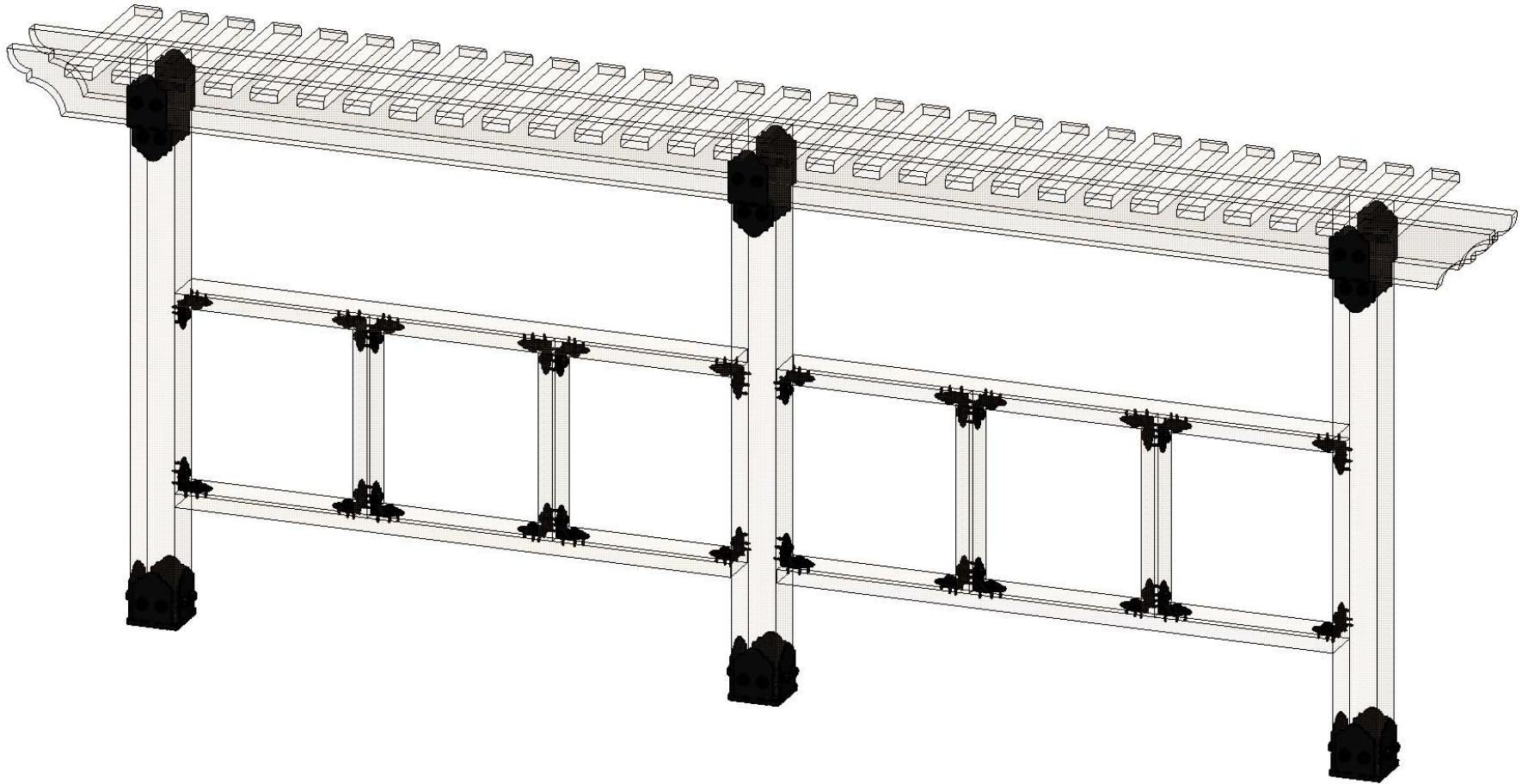
OZCO Project #317 - Decorative Barrier

secure with nails or screws



step 6

OZCO Project #317 - Decorative Barrier



Translucent

OZCO Project #317 - Decorative Barrier