

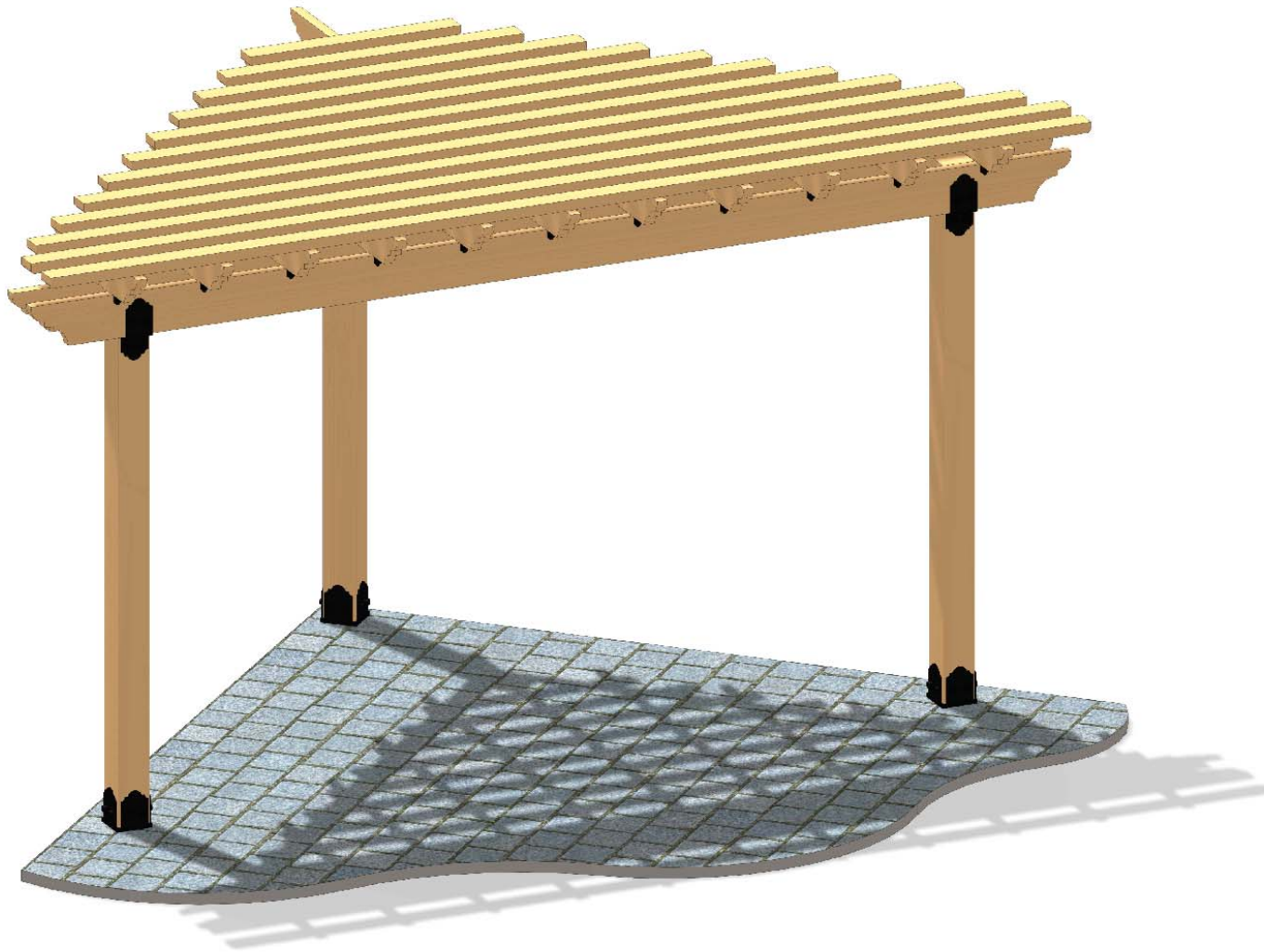
DESIGN

PURCHASE

CONSTRUCT

ENJOY

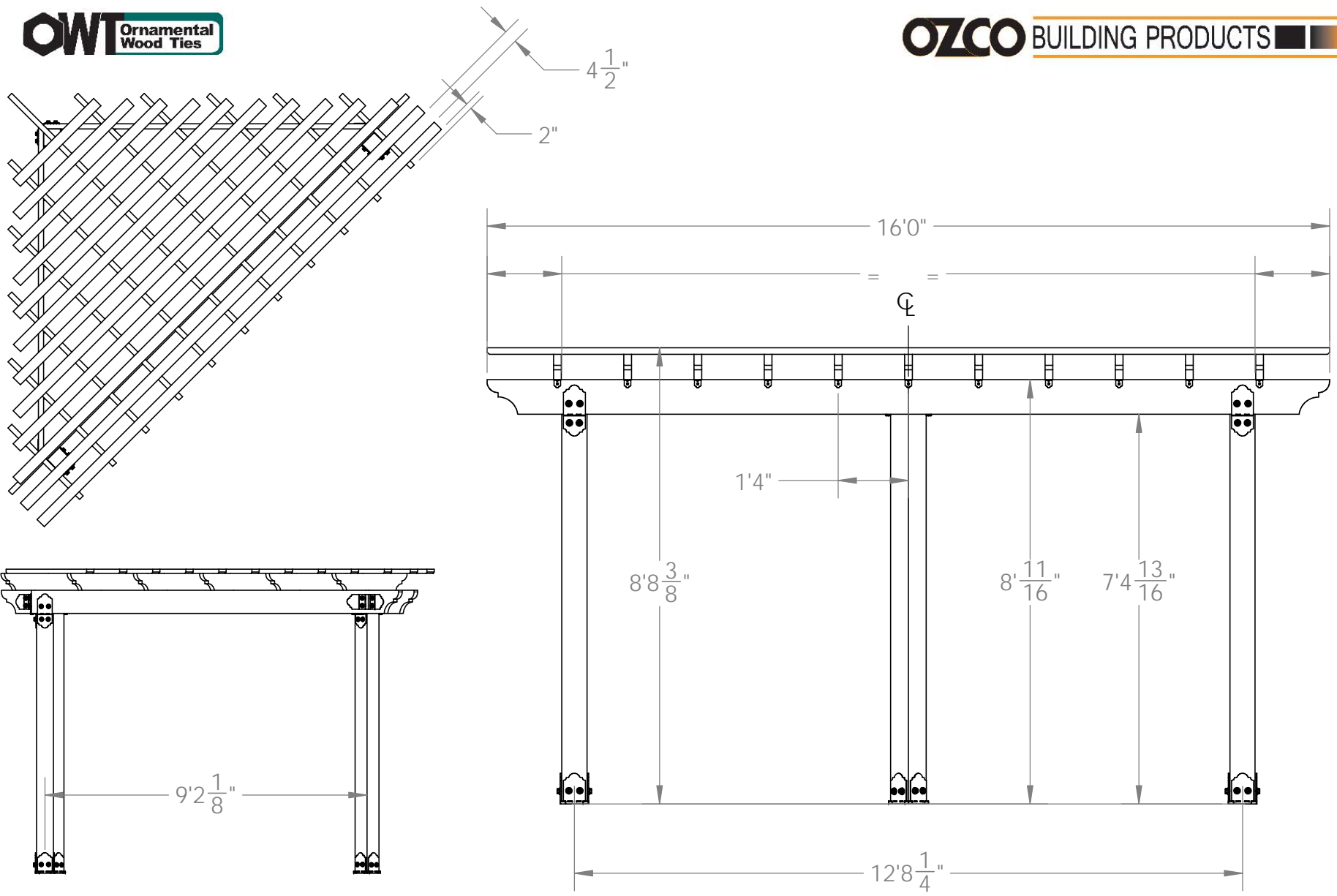
**OZCO Project
#334 - 10x10x16
Corner Pergola**



OZCO BUILDING PRODUCTS ■■■

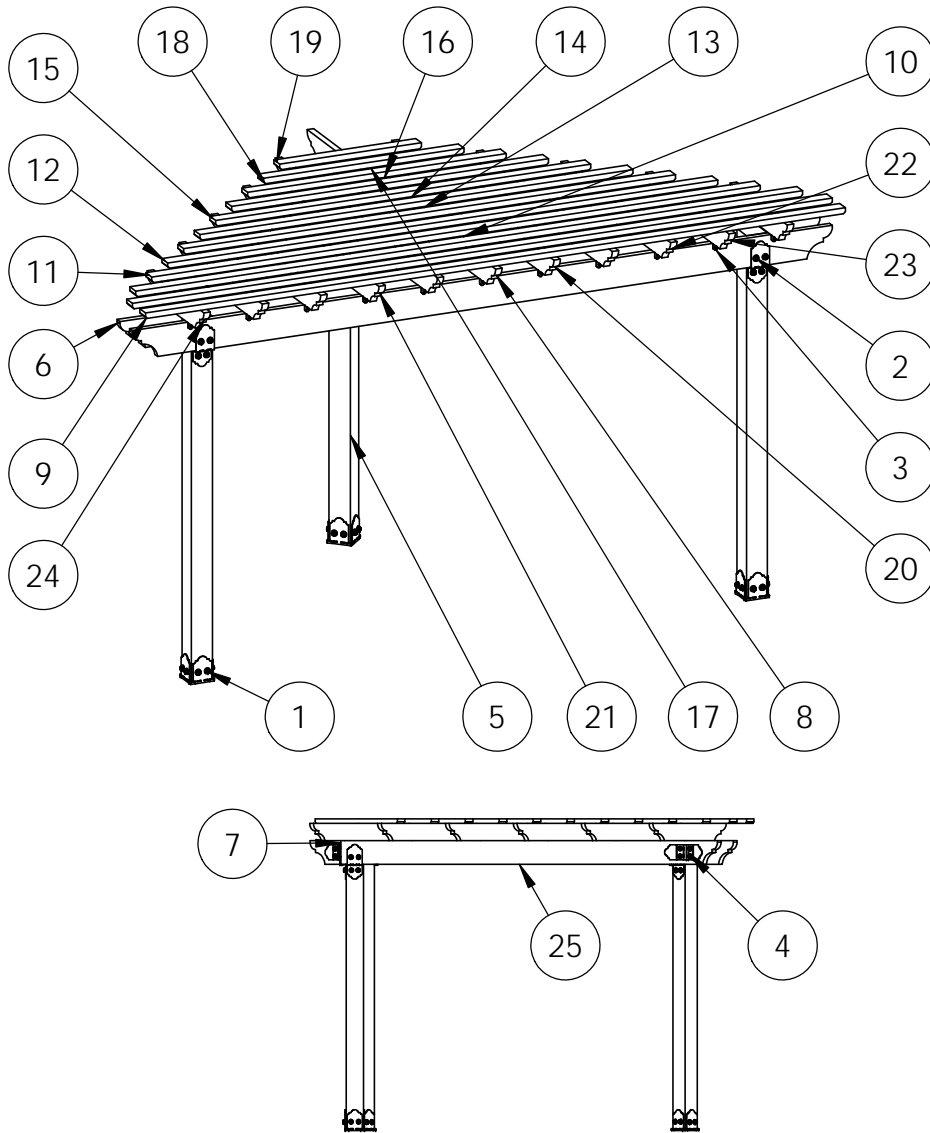
OZCO Project #334 - 10x10x16 Corner Pergola

V2.00 - Installation Instructions, Specifications and Project Plans are effective 2/14/2017 . This information is updated periodically and should not be relied upon after 2 years from 2/14/2017 . Please visit OZCOBP.com to get current information.



Overview

OZCO Project #334 - 10x10x16 Corner Pergola



ITEM NO.	QTY.	PART NUMBER	DESCRIPTION
1	3	56608	6x6 Post Base Kit (6X6-PB-LS)
2	3	56610	8" Post to Beam (P2B-LS-8)
3	2	56617	2" Standard Rafter Clip (RC-LS-2)
4	1	56616	Flush Inside 45 (FI-45)
	2	56611	Truss Accent (TA-LS)
	1	56625	OWT Timber Screw 1-3/4"
5	3	6x6 Cedar Post	6x6x8'0"
6	2	2x8 Cedar Board	2x8x16'0"
7	1	2x8 Cedar Board	2x8x9'5 7/16"
8	1	2x6 Cedar Board	2x6x9'6 9/16"
9	2	2x4 Cedar Board	2x4x16'0"
10	1	2x4 Cedar Board	2x4x15'2 7/8"
11	1	2x4 Cedar Board	2x4x13'10 7/8"
12	1	2x4 Cedar Board	2x4x12'6 7/8"
13	1	2x4 Cedar Board	2x4x11'2 7/8"
14	1	2x4 Cedar Board	2x4x9'10 3/4"
15	1	2x4 Cedar Board	2x4x8'6 7/8"
16	1	2x4 Cedar Board	2x4x7'2 7/8"
17	1	2x4 Cedar Board	2x4x5'10 7/8"
18	1	2x4 Cedar Board	2x4x4'6 7/8"
19	1	2x4 Cedar Board	2x4x3'2 7/8"
20	2	2x6 Cedar Board	2x6x8'2 9/16"
21	2	2x6 Cedar Board	2x6x6'10 9/16"
22	2	2x6 Cedar Board	2x6x5'6 9/16"
23	2	2x6 Cedar Board	2x6x4'2 9/16"
24	2	2x6 Cedar Board	2x6x2'10 9/16"
25	1	2x8 Cedar Board	2x8x9'7 5/16"

Bill of Material

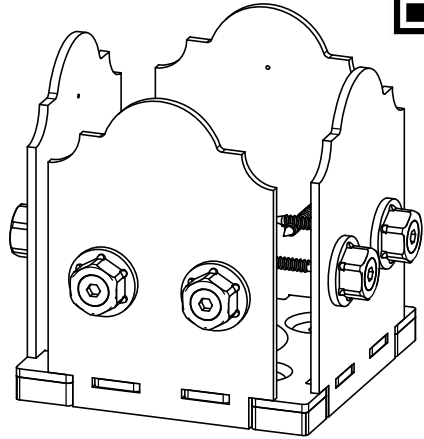
OZCO Project #334 - 10x10x16 Corner Pergola

QTY.	PART NUMBER	DESCRIPTION
3	56608	6x6 Post Base (6x6-PB-LS)
3	56610	8" Post to Beam (P2B-LS-8)
2	56617	2" Standard Rafter Clip (RC-LS-2)
1	56616	Flush Inside 45 (FI-45)
2	56611	Truss Accent (TA-LS)
1	56625	OWT Timber Screw 1-3/4"
3	6x6x8L	6x6x8
2	2x8x16L	2x8x16
2	2x8x10L	2x8x10
3	2x6x10L	2x6x10
4	2x4x16L	2x4x16
1	2x4x14L	2x4x14
1	2x4x12L	2x4x12
2	2x4x10L	2x4x10
2	2x4x8L	2x4x8
1	2x4x6L	2x4x6
5	2x6x8L	2x6x8
4	2x6x6L	2x6x6

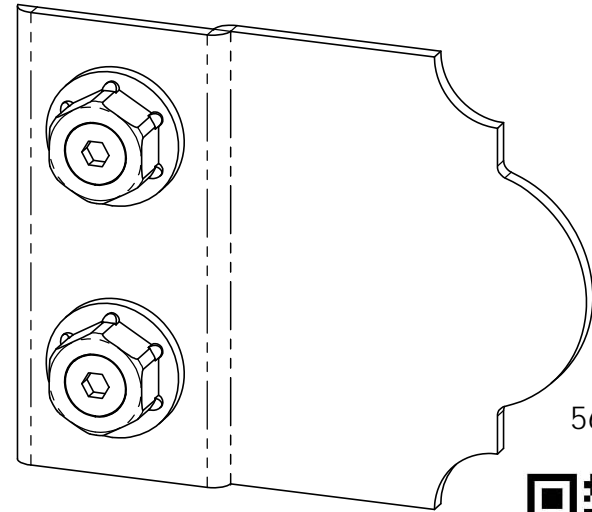
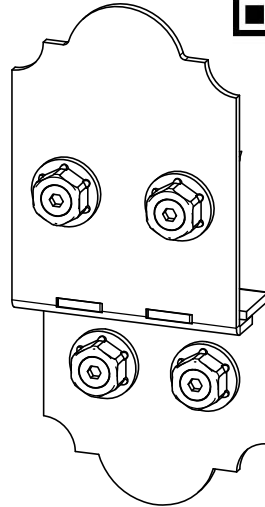
Material List



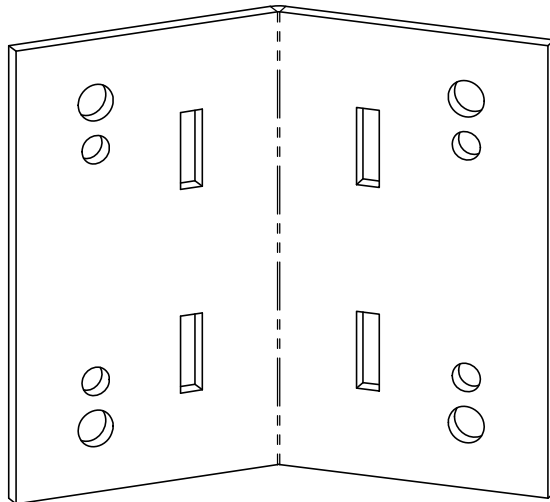
56608



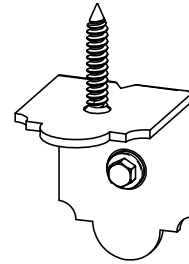
56610



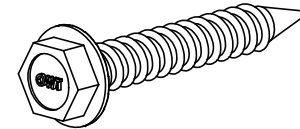
56611



56616



56617



56625



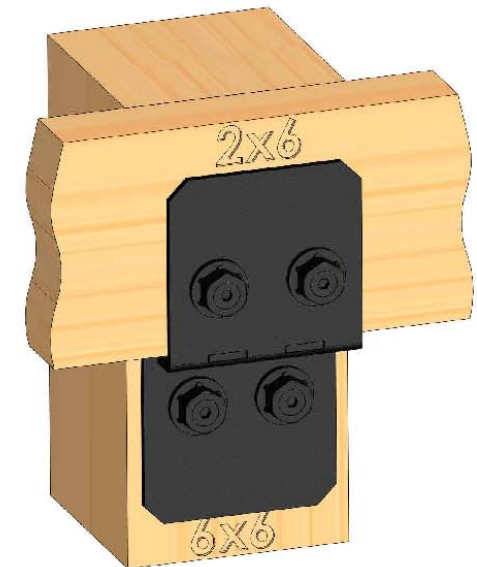
Laredo Sunset & Ironwood



Laredo Sunset
(566XX series)

2 great styles
Same functionality
choose your
connection lifestyle

both styles available for
most products

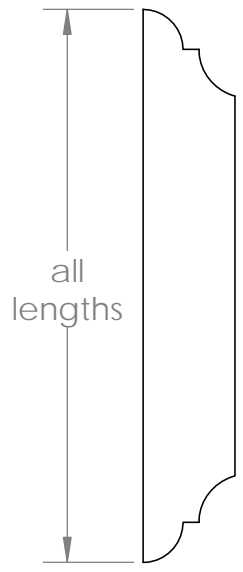


Ironwood
(517XX series)

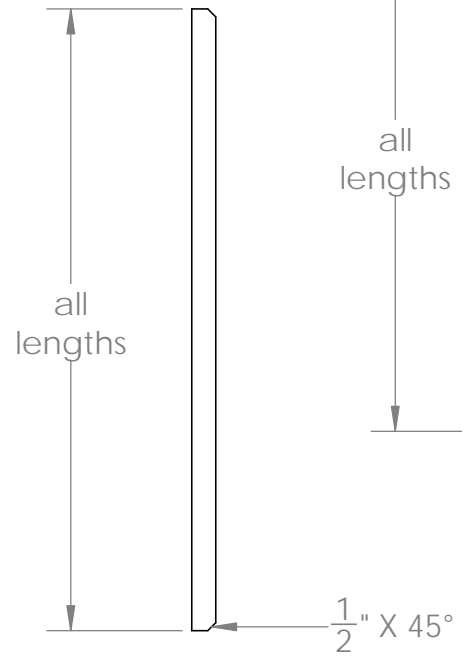
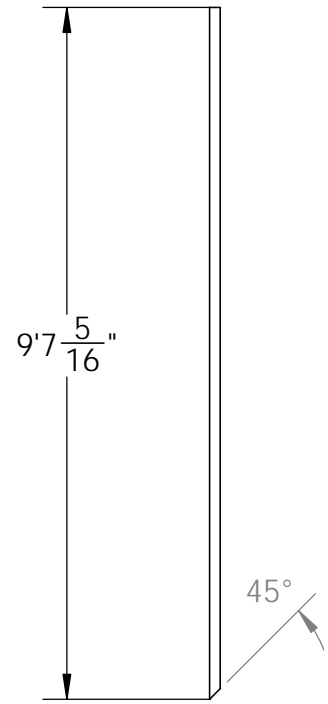


OZCO BUILDING PRODUCTS ■■■

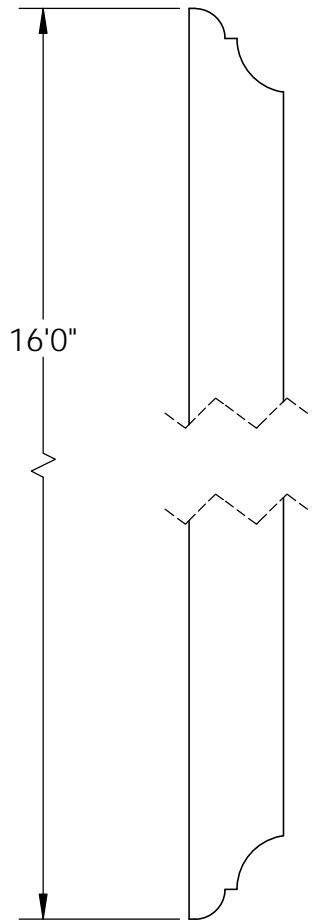
2x6 Cedar Board
Rafters
(see template)



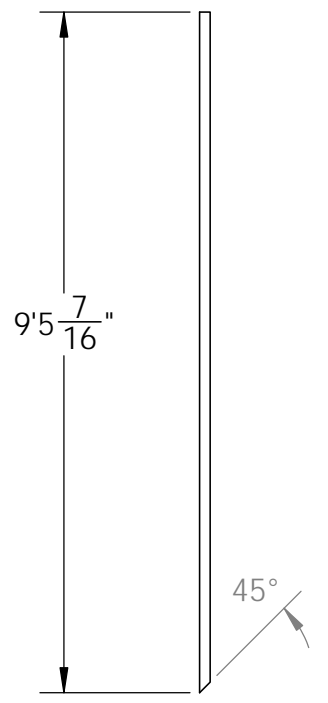
2x8 Cedar Board
Side Beam



2x4 Cedar Board
Purlins

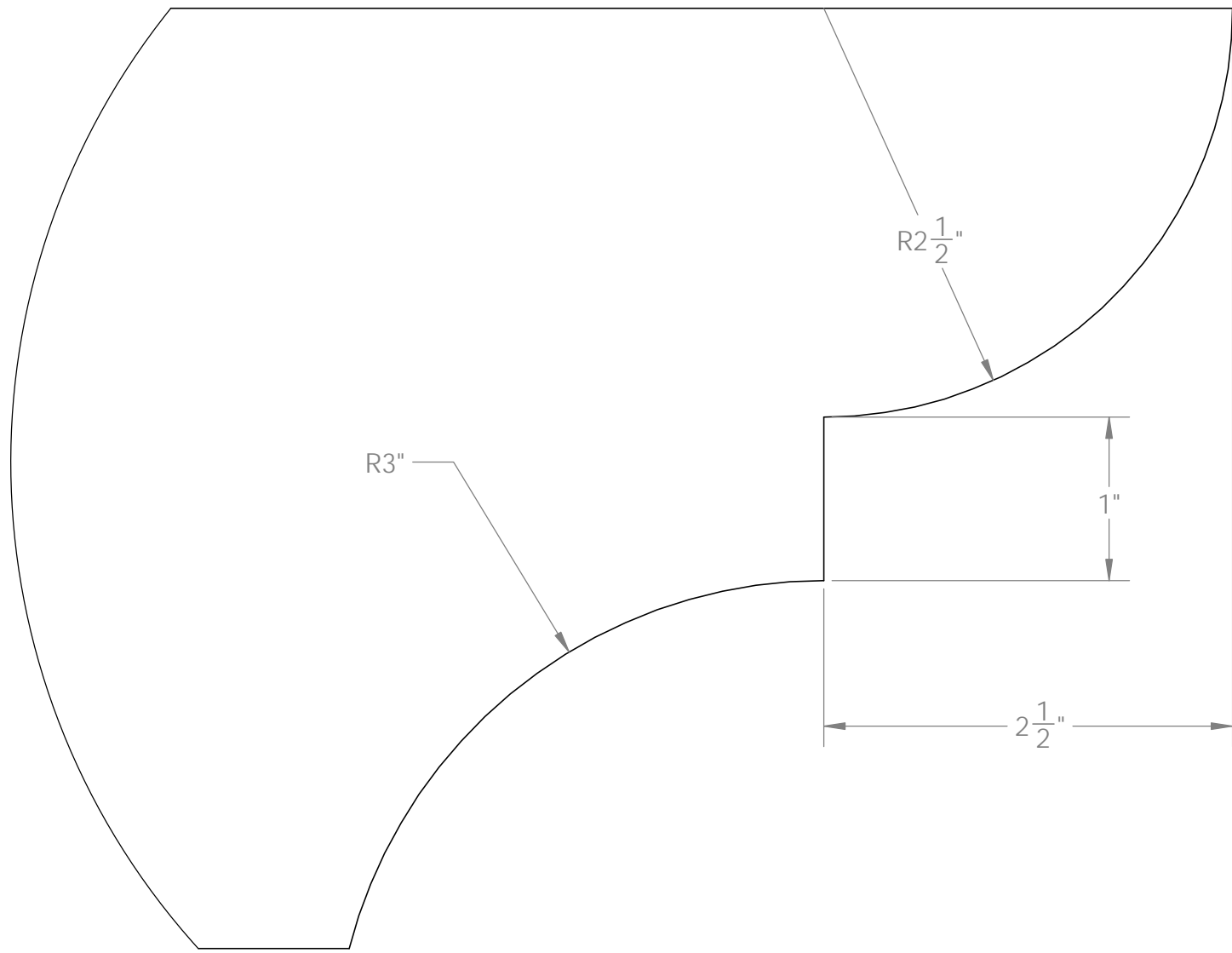


2x8 Cedar Board
Front Beams
(see template)



2x8 Cedar Board
Side Beam

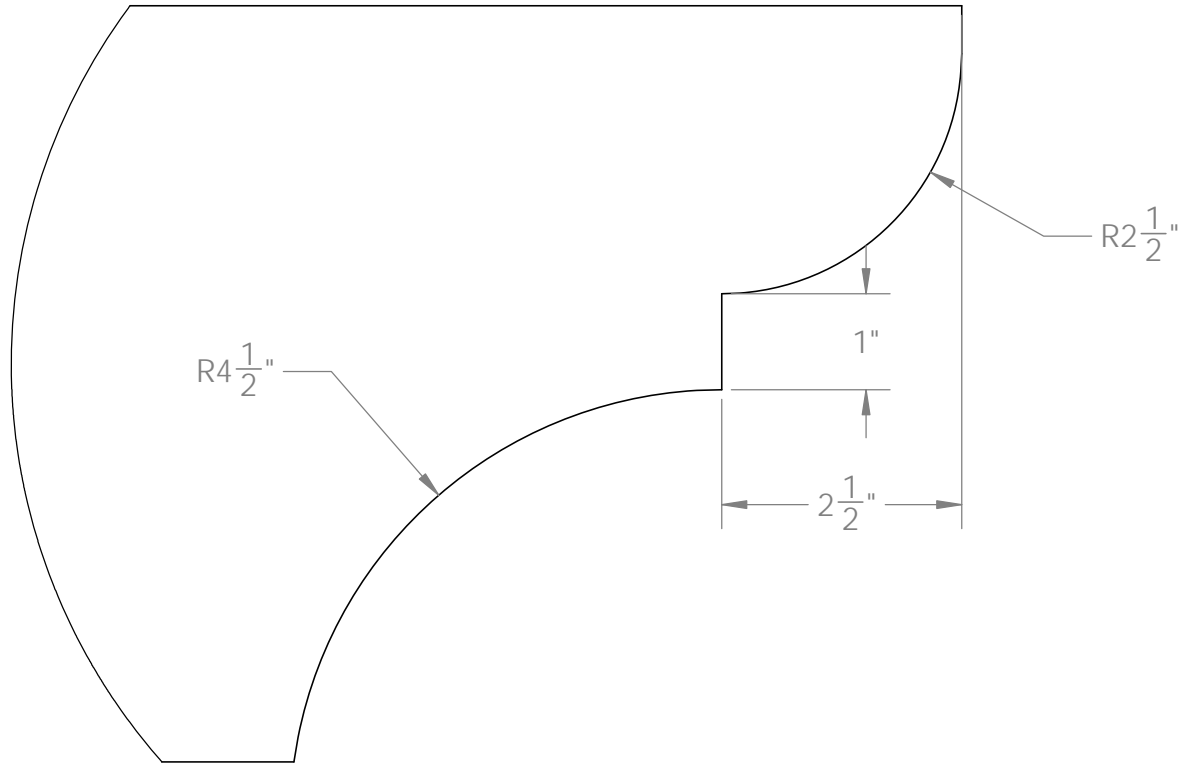
Cutlist



Template 2x6

1:1 scale

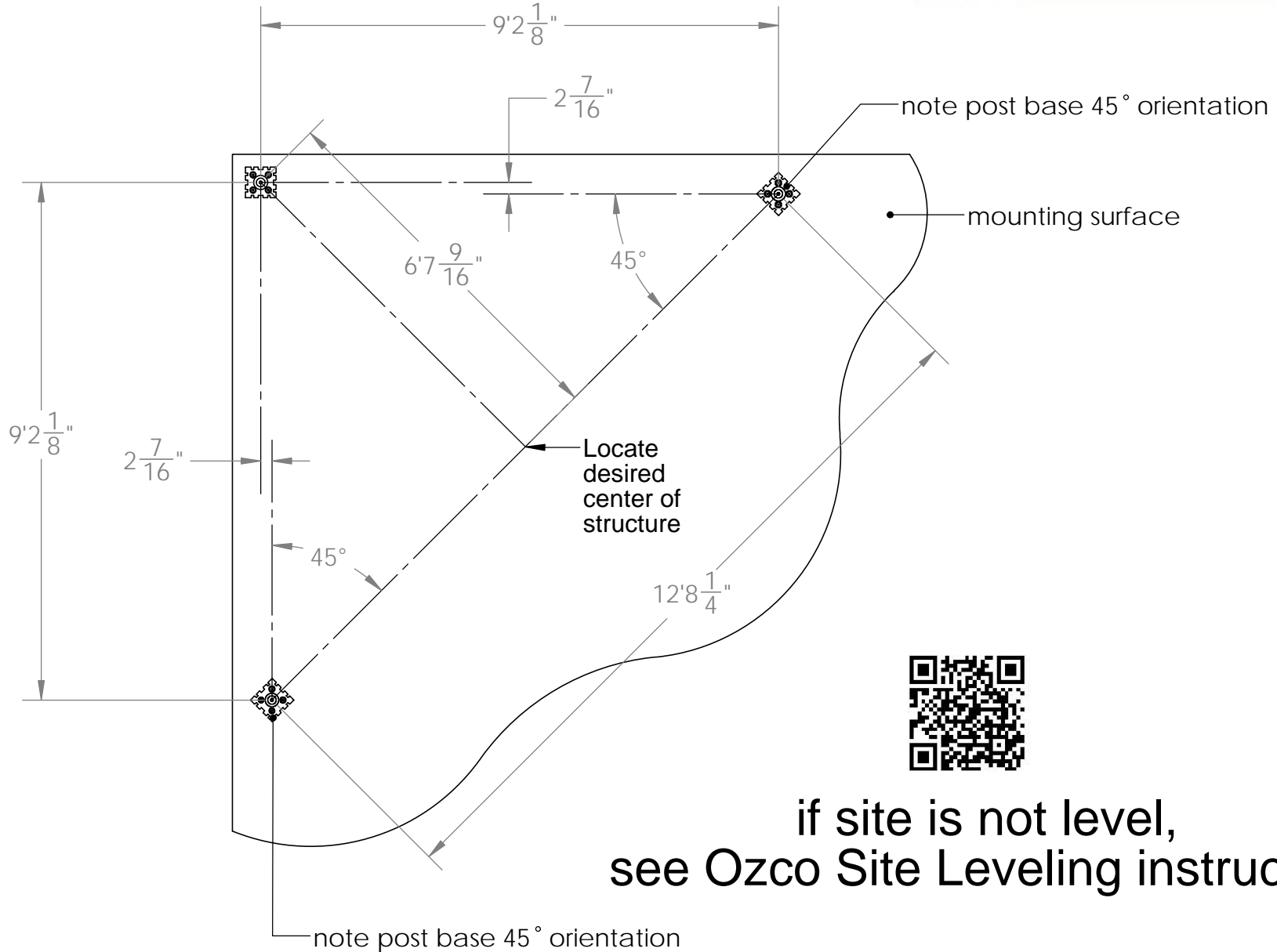
OZCO Project #334 - 10x10x16 Corner Pergola



Template 2x8

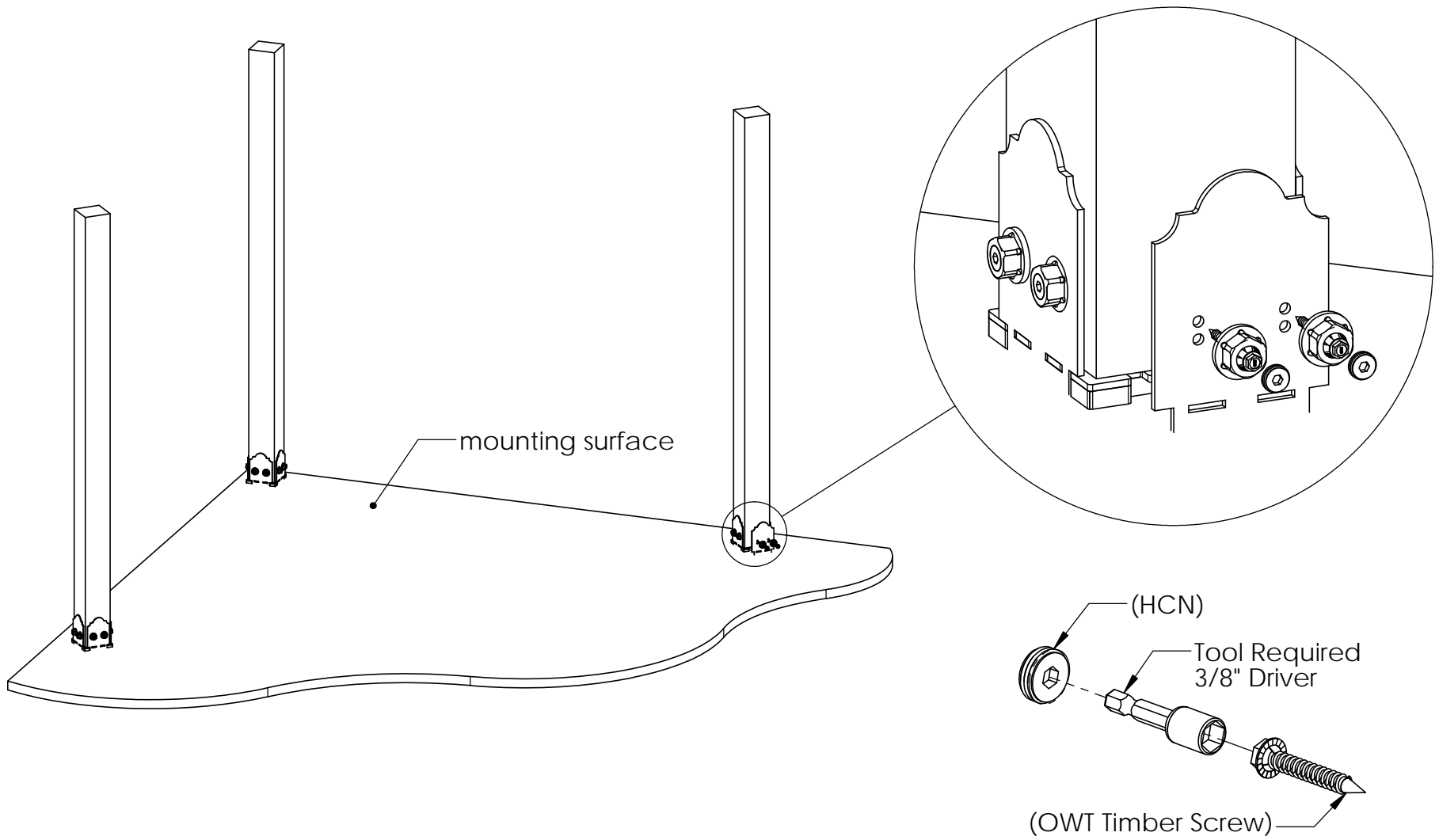
1:2 scale

OZCO Project #334 - 10x10x16 Corner
Pergola



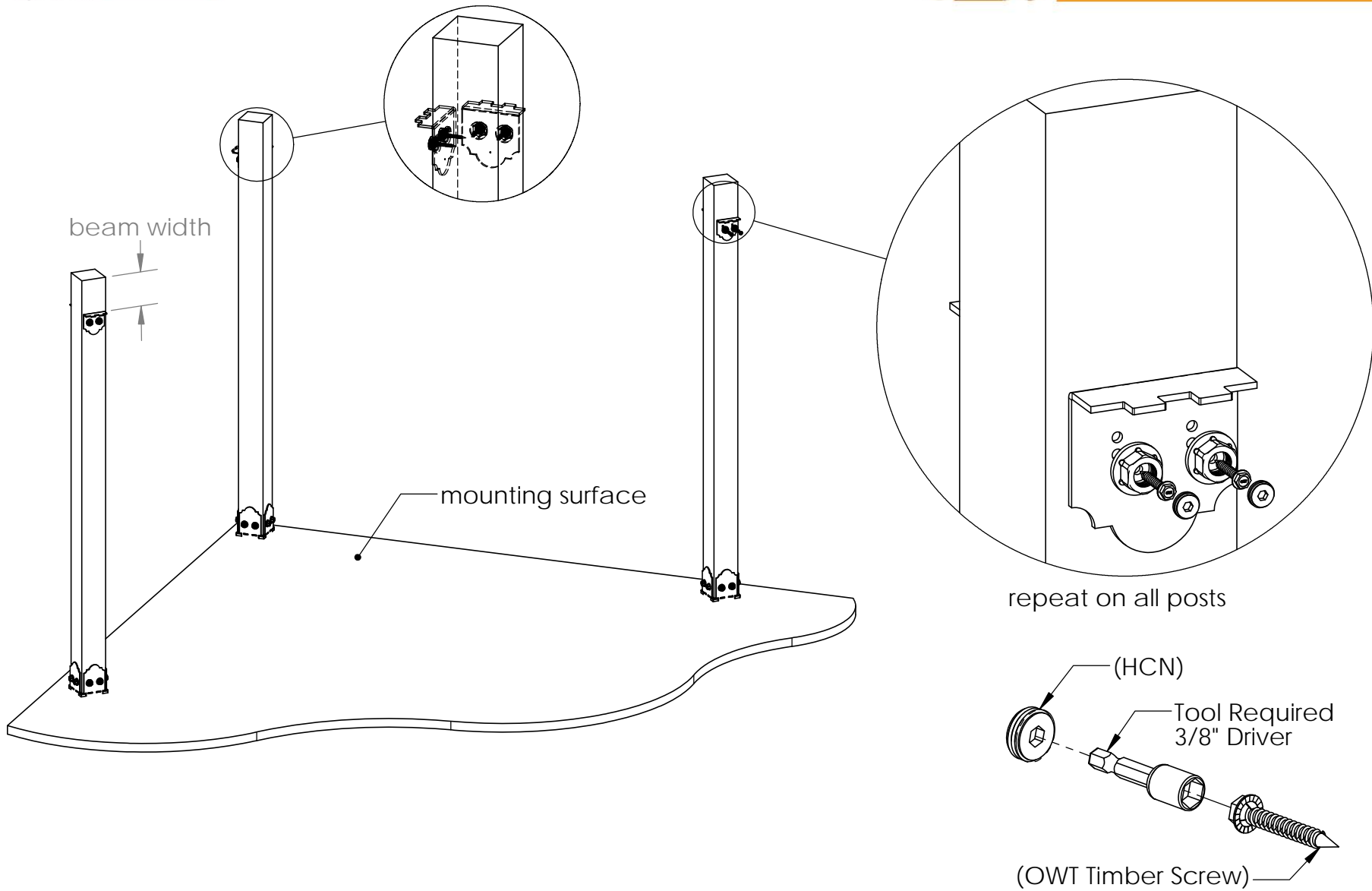
if site is not level,
see Ozco Site Leveling instruction

site



step 1

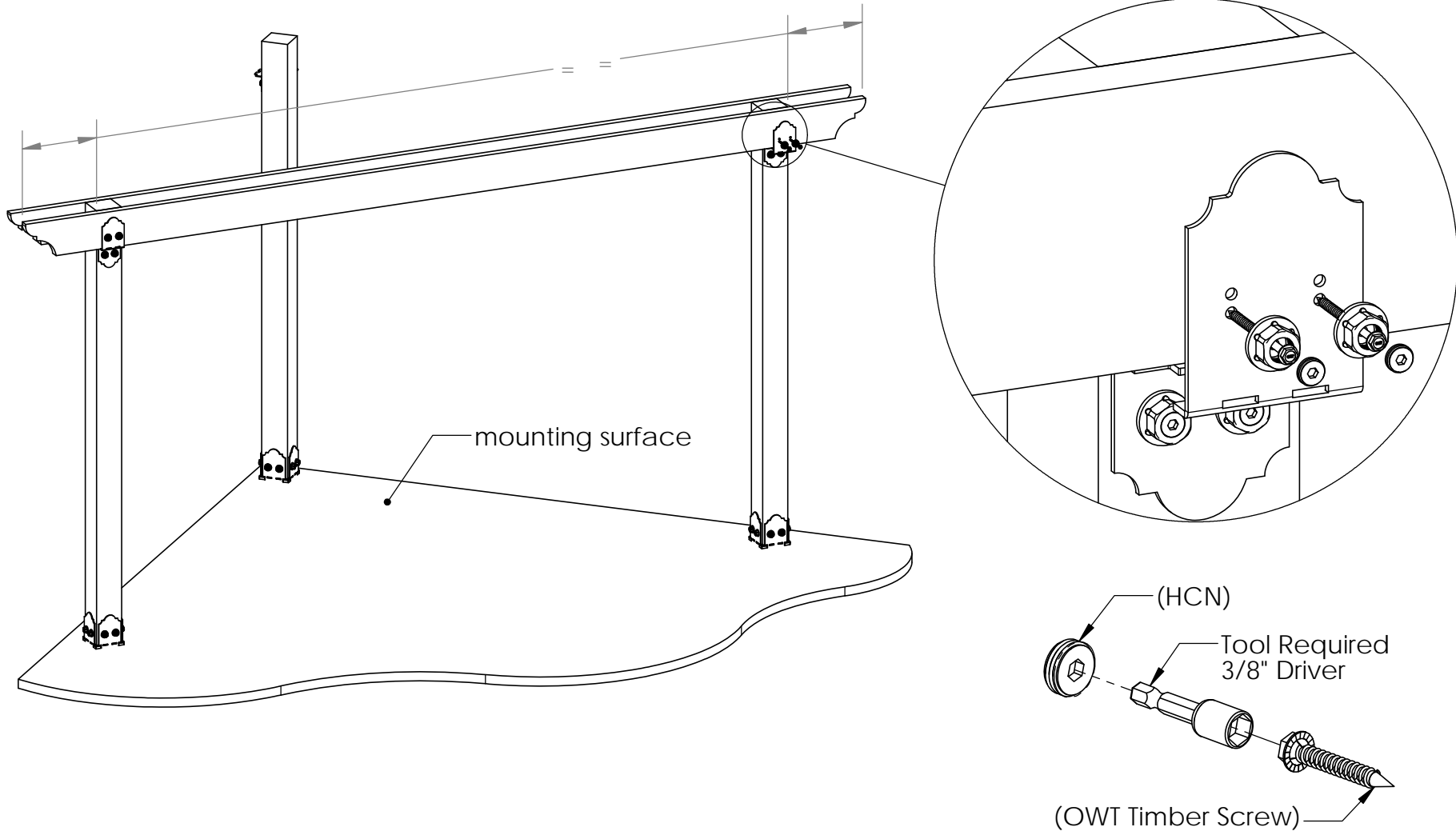
reference Overview page for dimensions (if needed)



step 2

OZCO Project #334 - 10x10x16 Corner Pergola

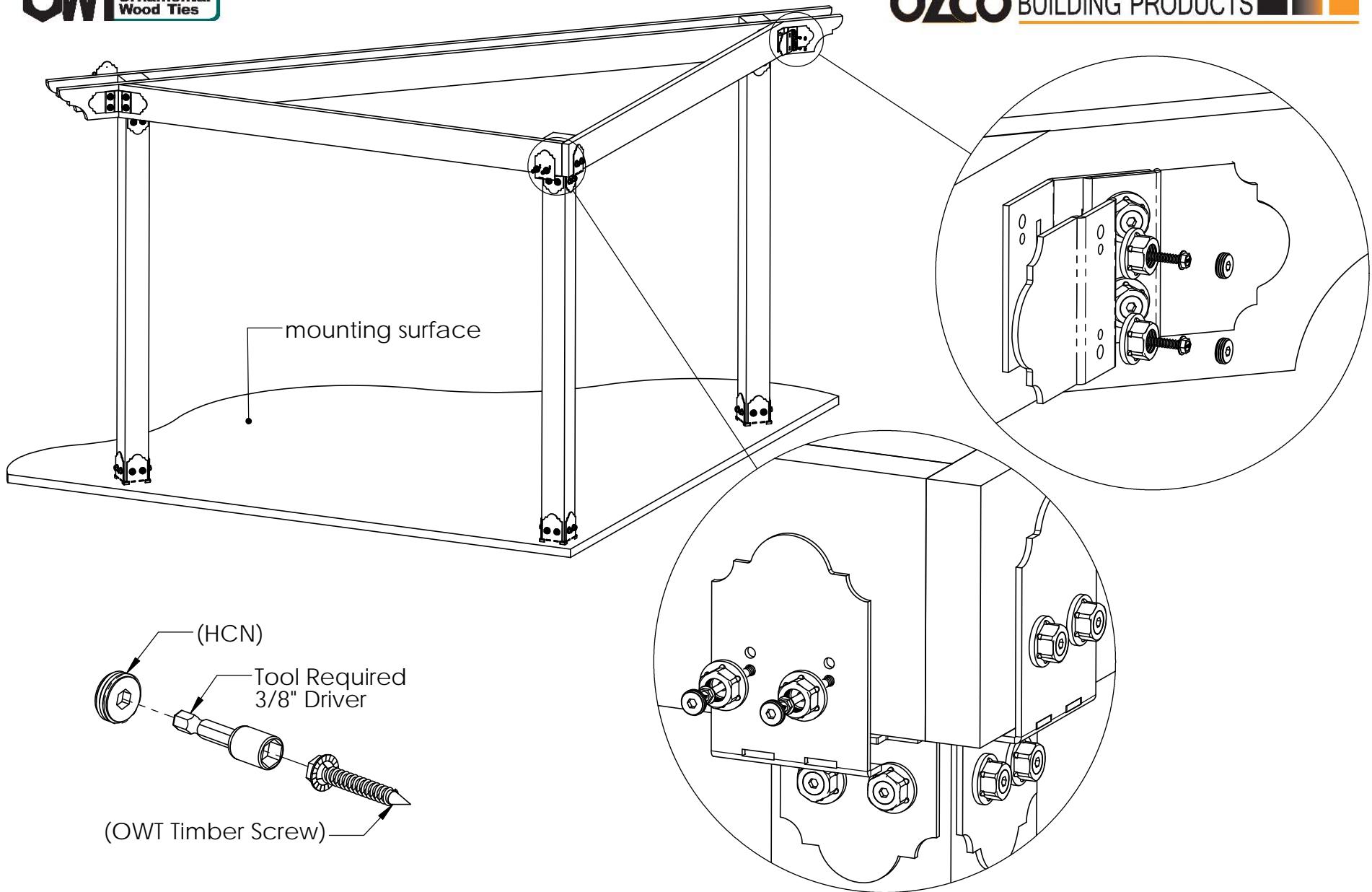
reference Overview page for dimensions (if needed)



step 3

OZCO Project #334 - 10x10x16 Corner Pergola

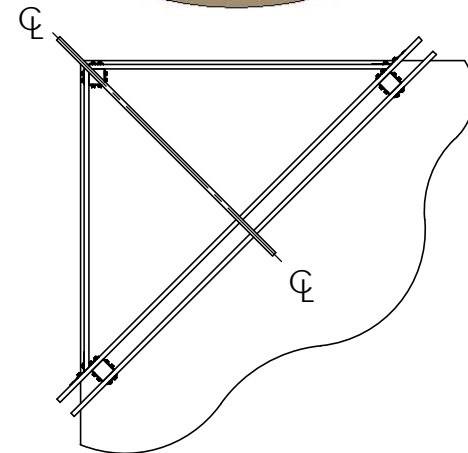
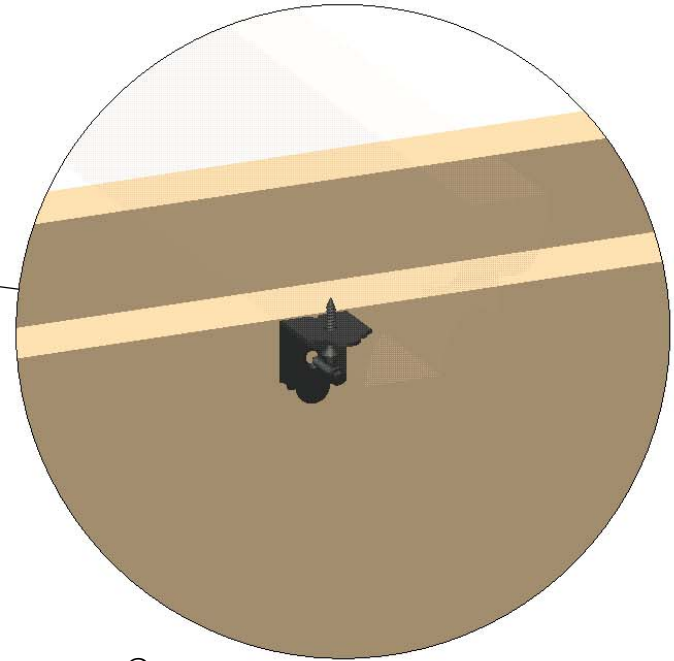
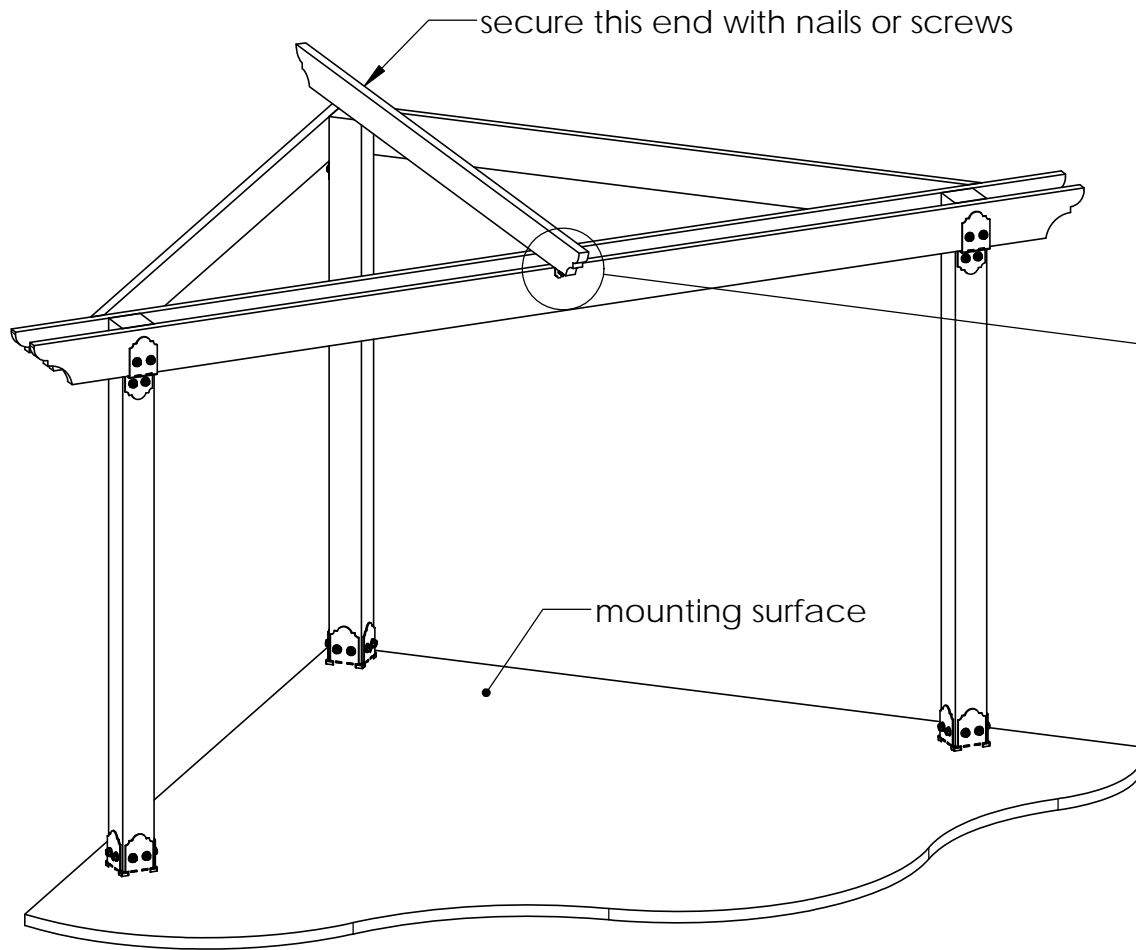
reference Overview page for dimensions (if needed)



step 4

OZCO Project #334 - 10x10x16 Corner Pergola

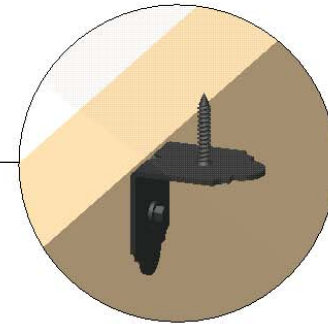
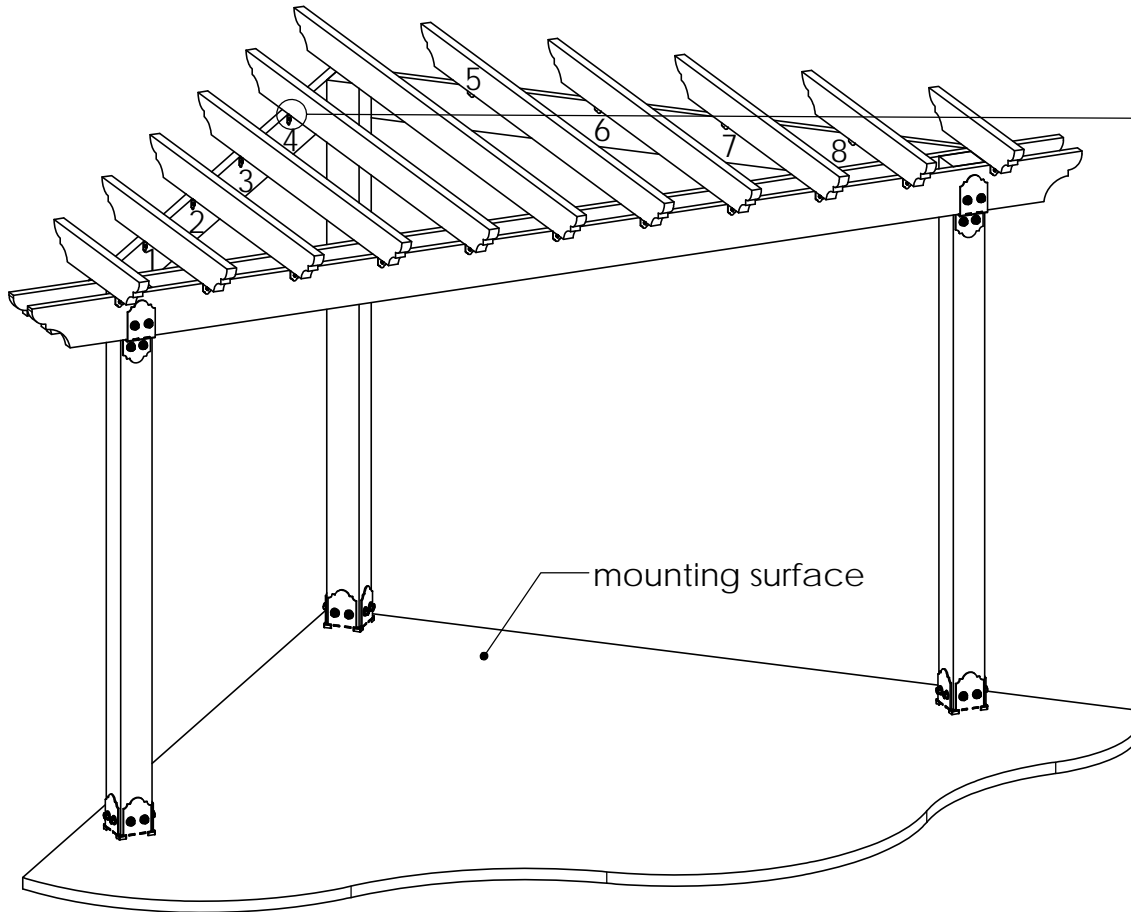
reference Overview page for dimensions (if needed)



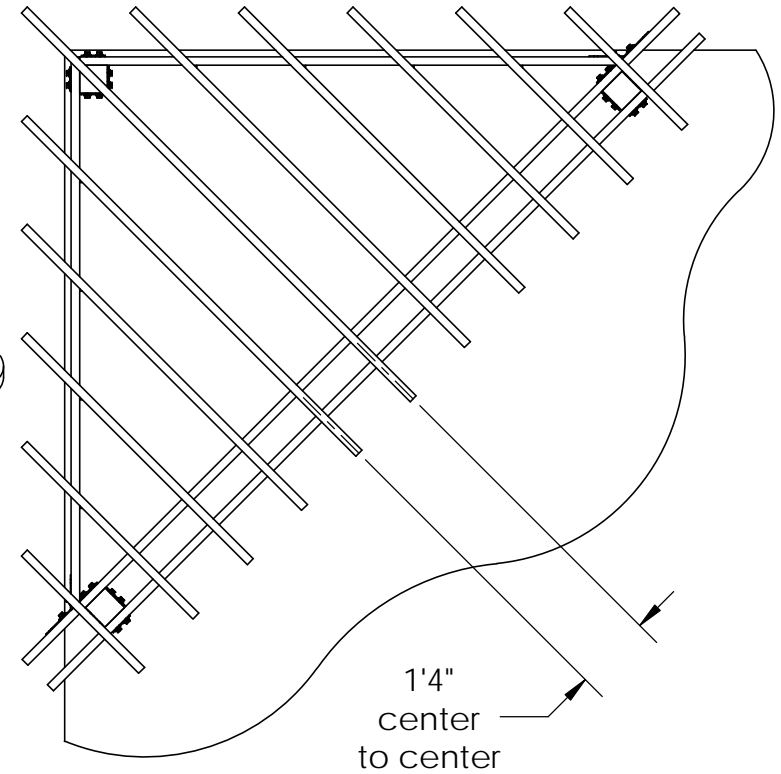
step 5

OZCO Project #334 - 10x10x16 Corner Pergola

reference Overview page for dimensions (if needed)



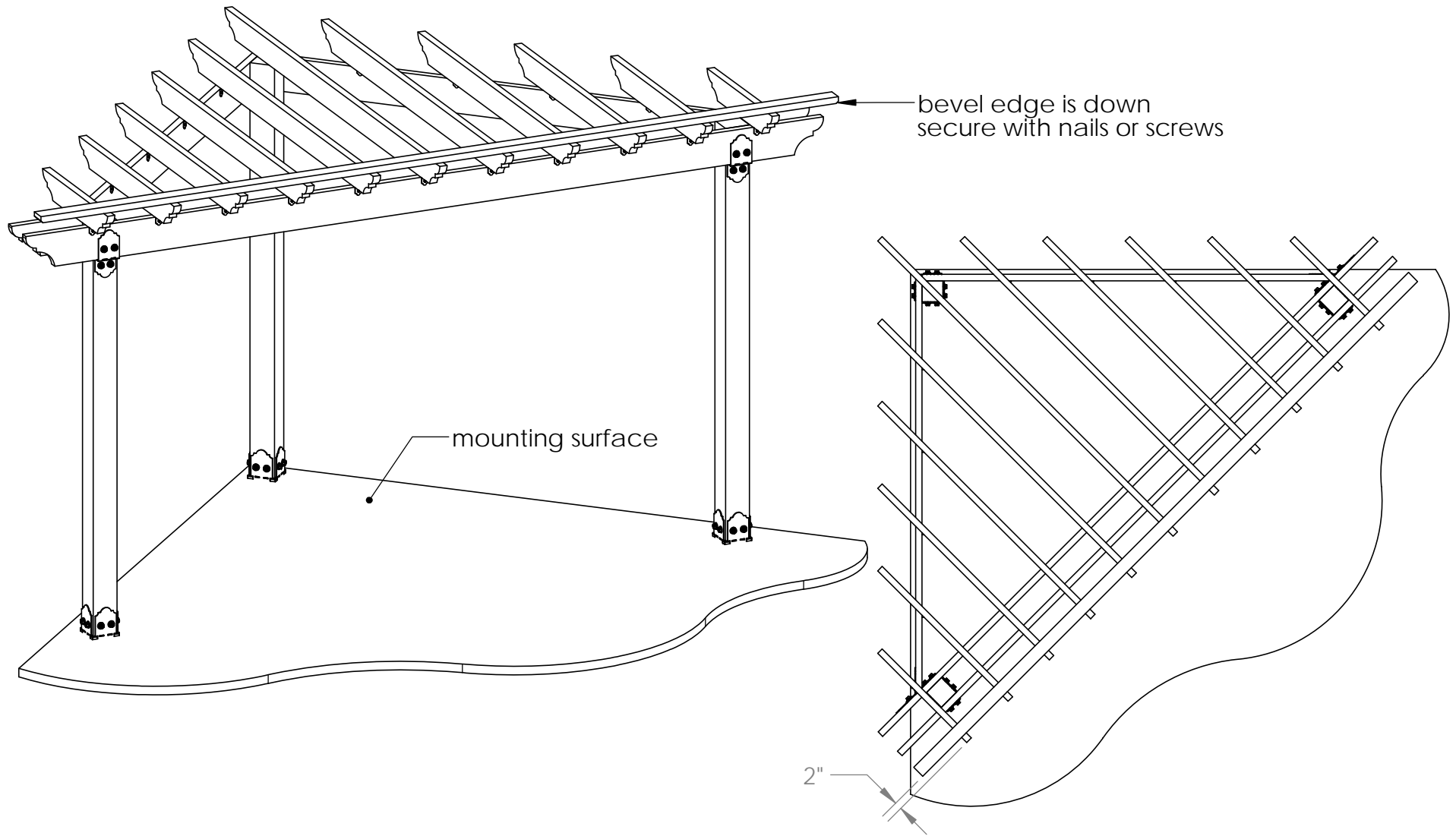
repeat 8x



step 5 (con't)

OZCO Project #334 - 10x10x16 Corner Pergola

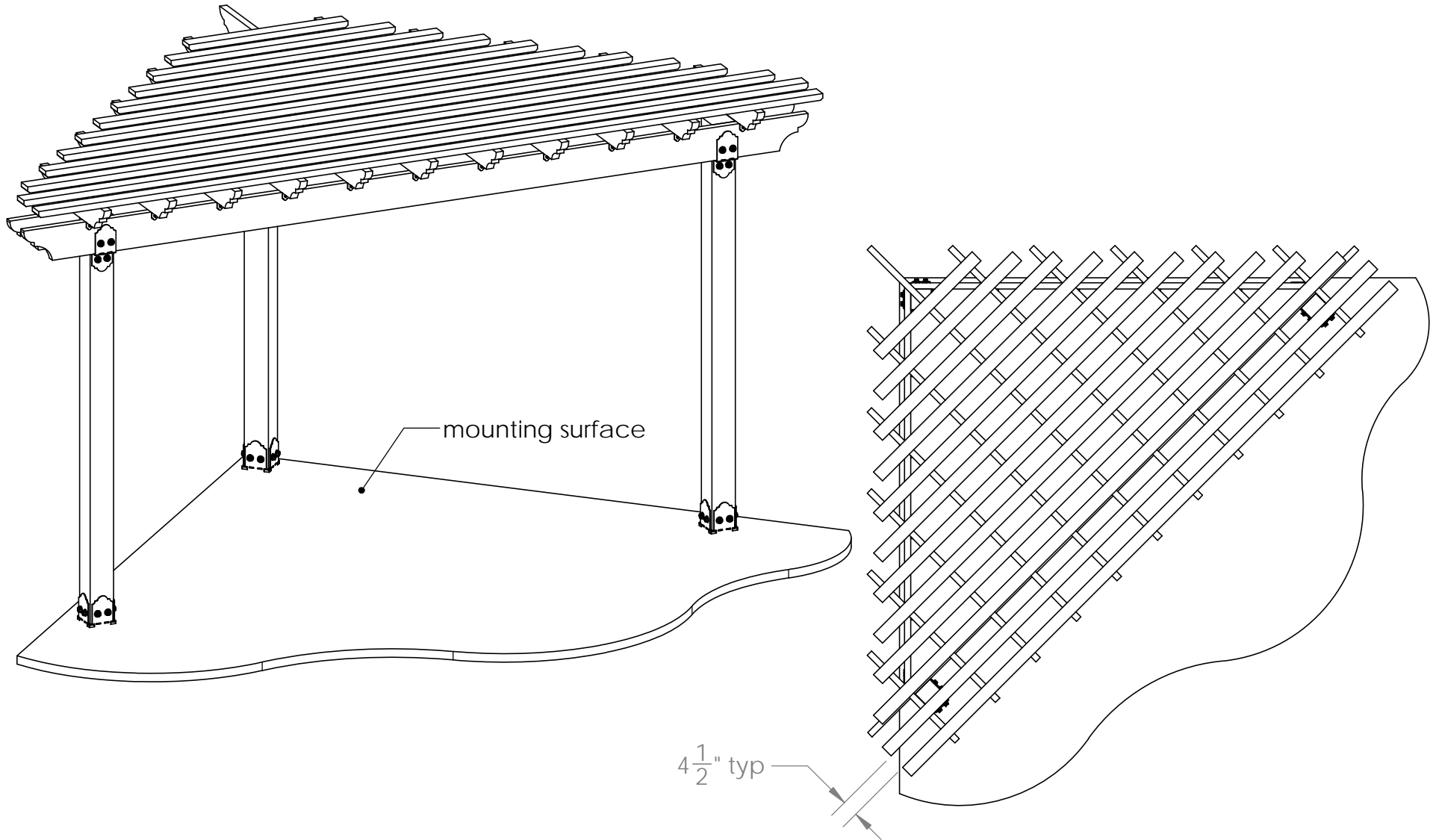
reference Overview page for dimensions (if needed)



step 6

OZCO Project #334 - 10x10x16 Corner Pergola

reference Overview page for dimensions (if needed)



step 6 (con't)

OZCO Project #334 - 10x10x16 Corner
Pergola

reference Overview page for dimensions (if needed)



Translucent

OZCO Project #334 - 10x10x16 Corner
Pergola