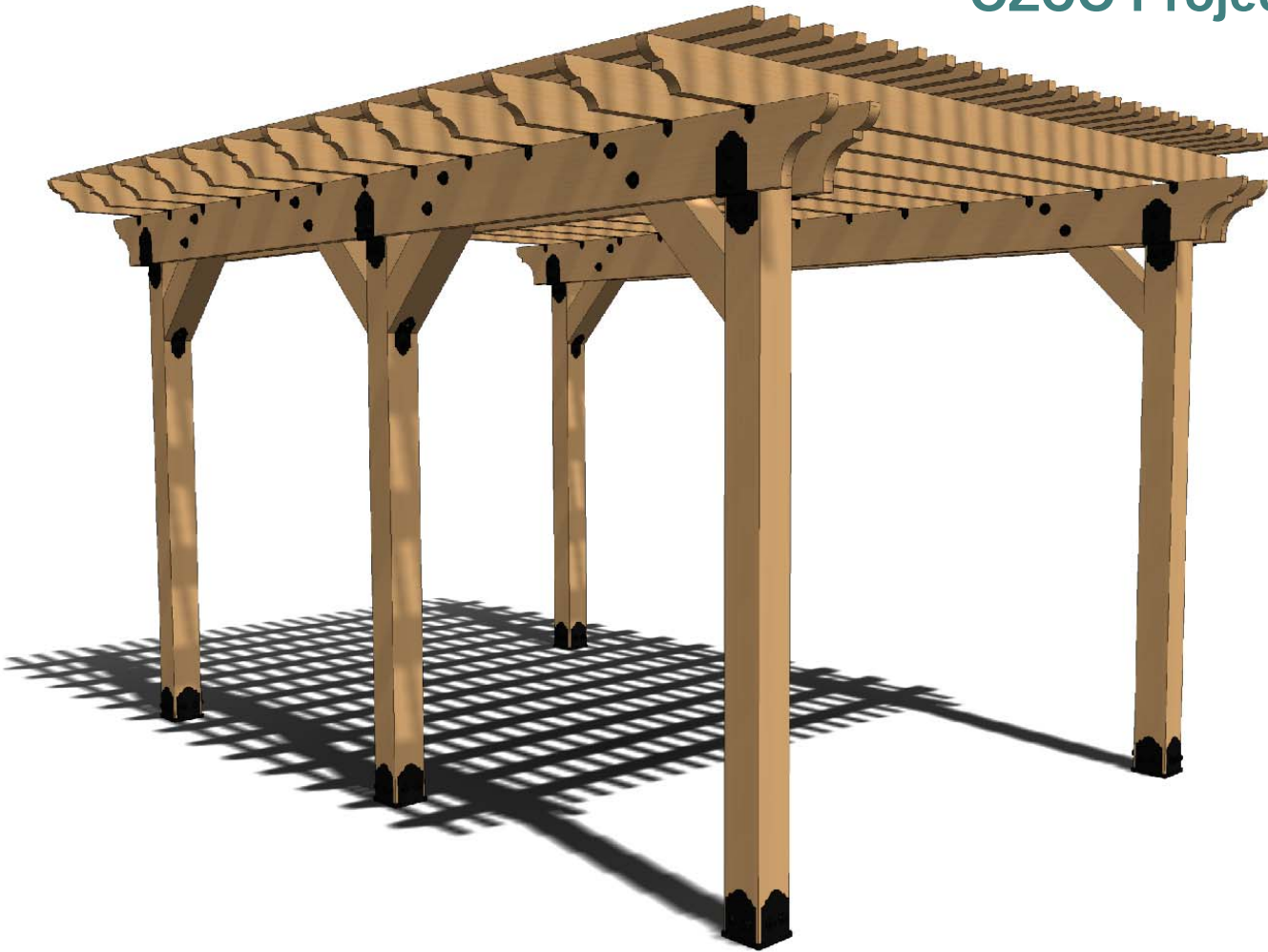
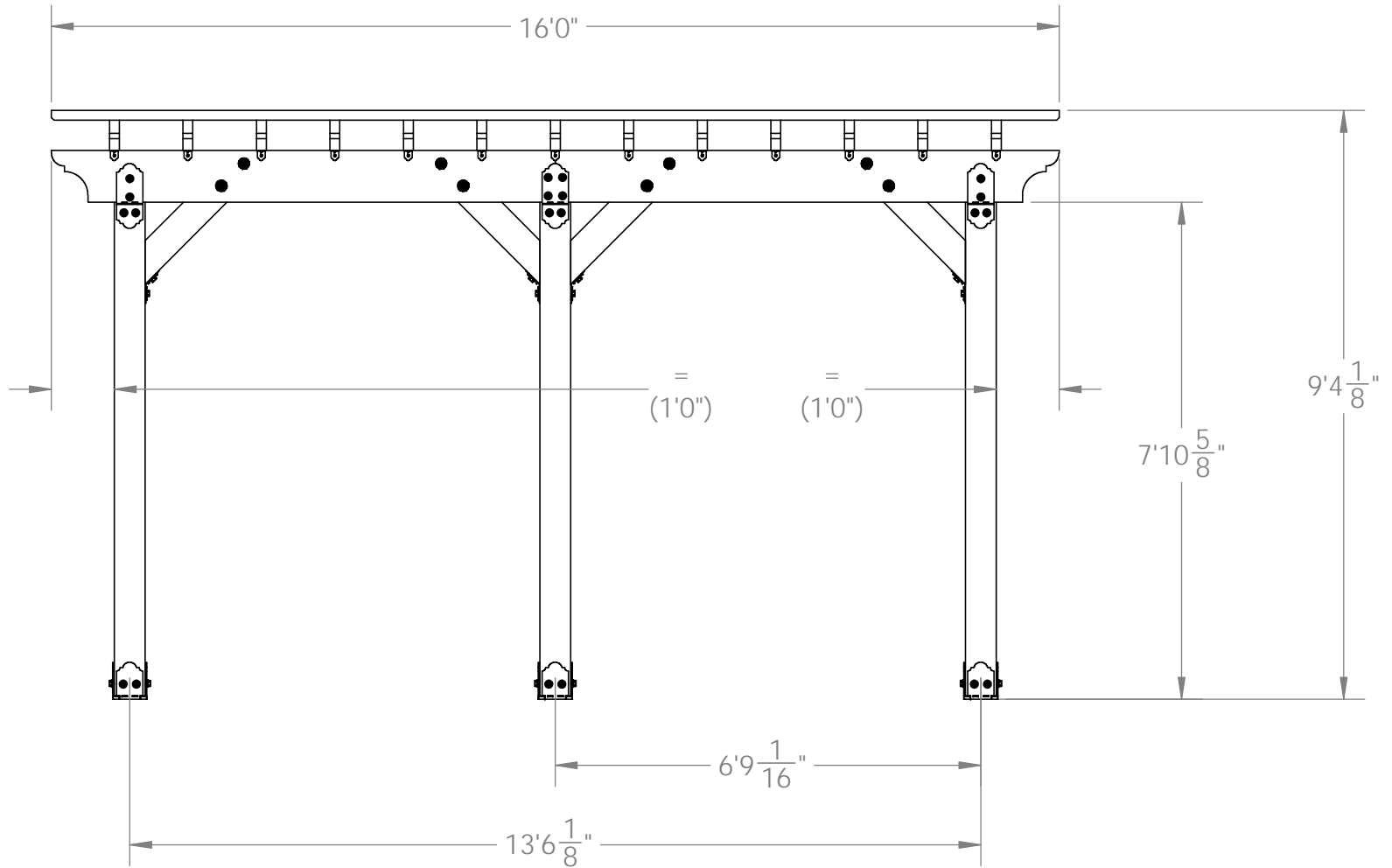


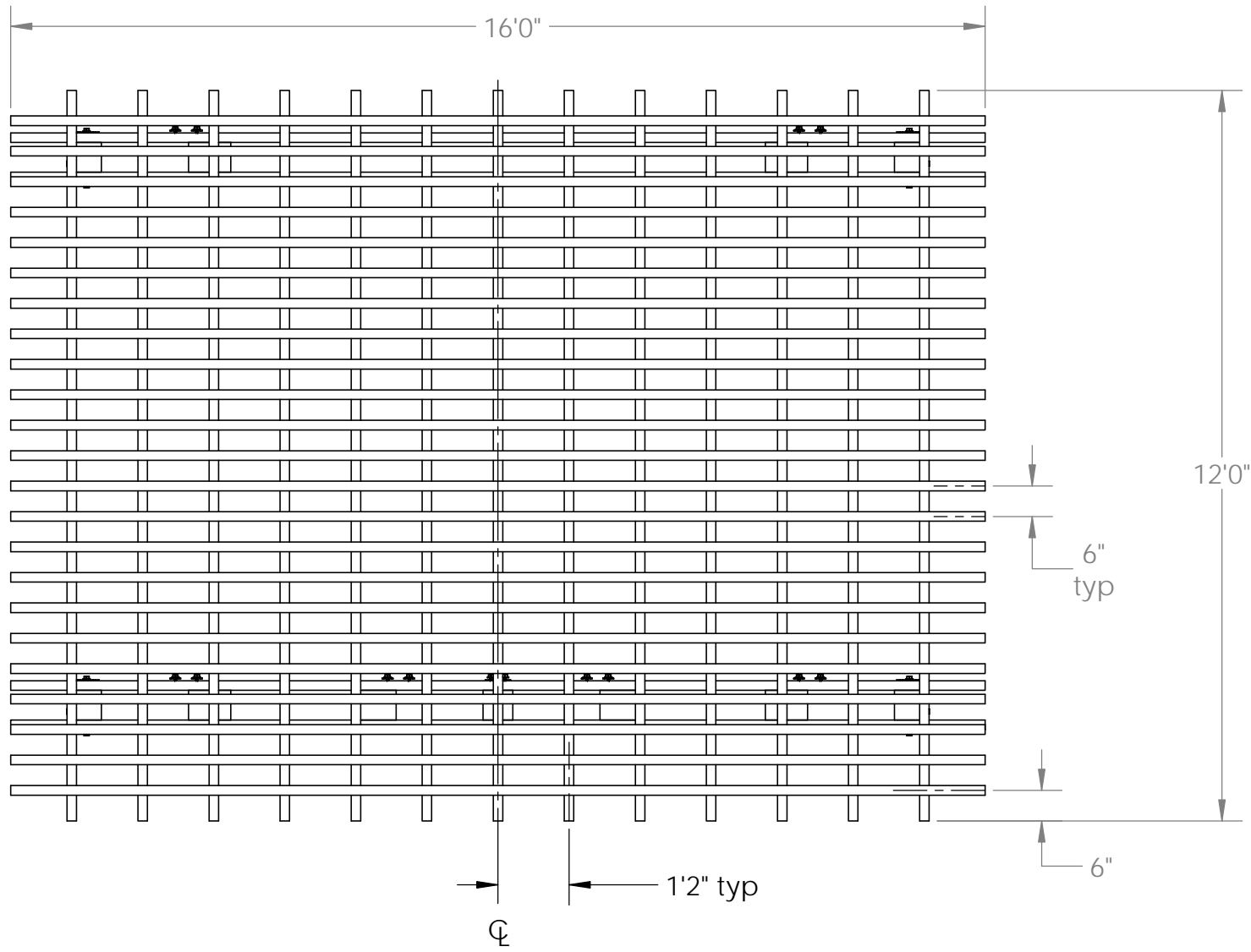
OZCO Project #342 - Patio Pergola





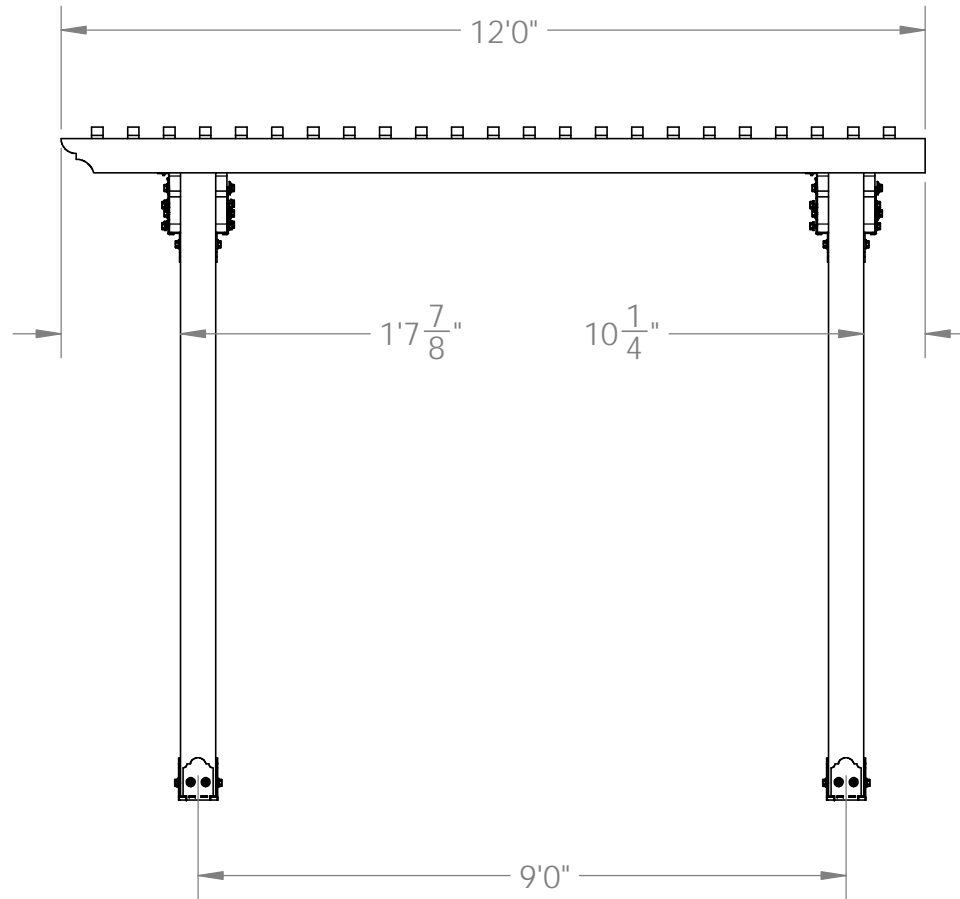
Overview-Front

OZCO Project #342 - Patio Pergola



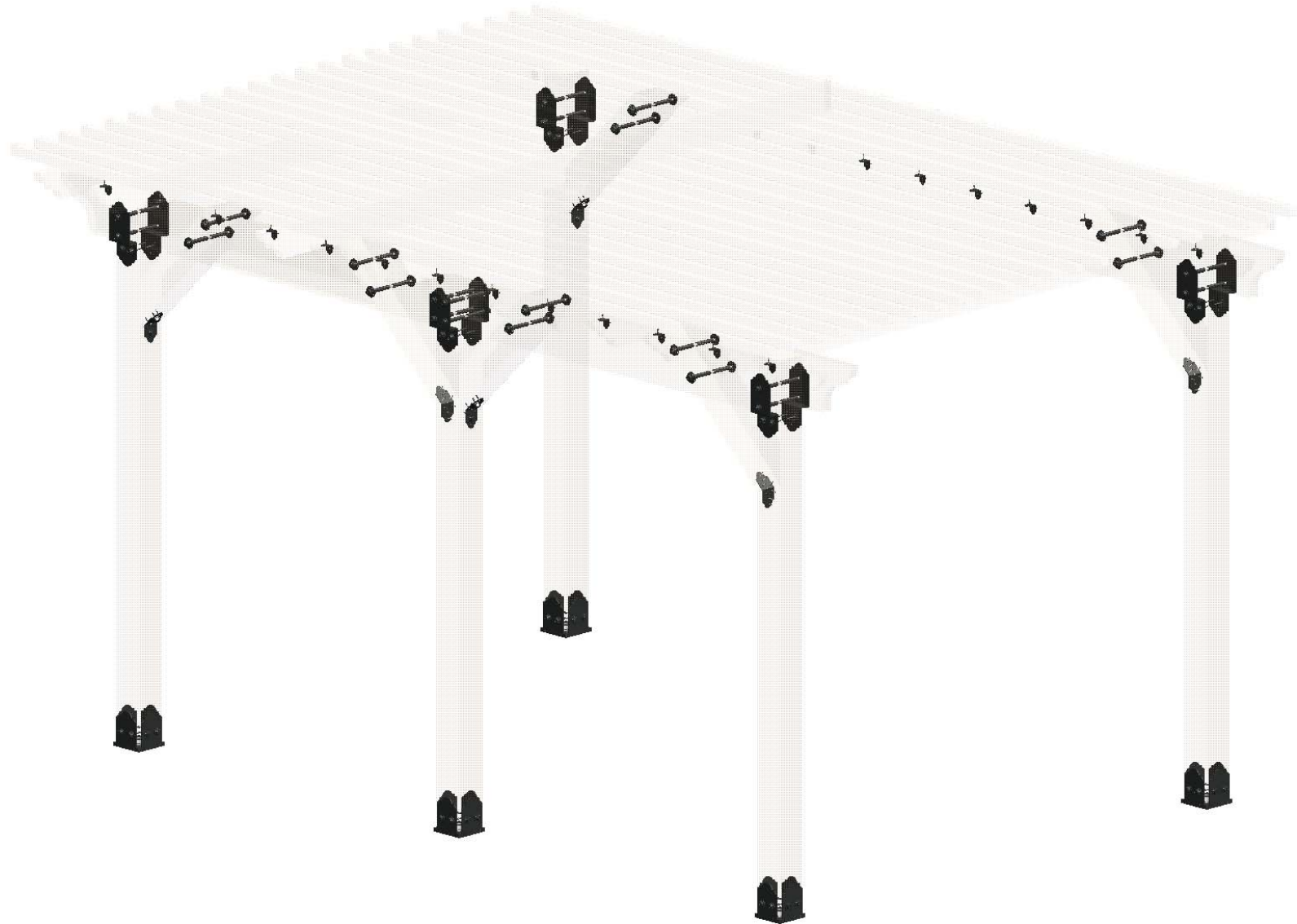
Overview-Top

OZCO Project #342 - Patio Pergola



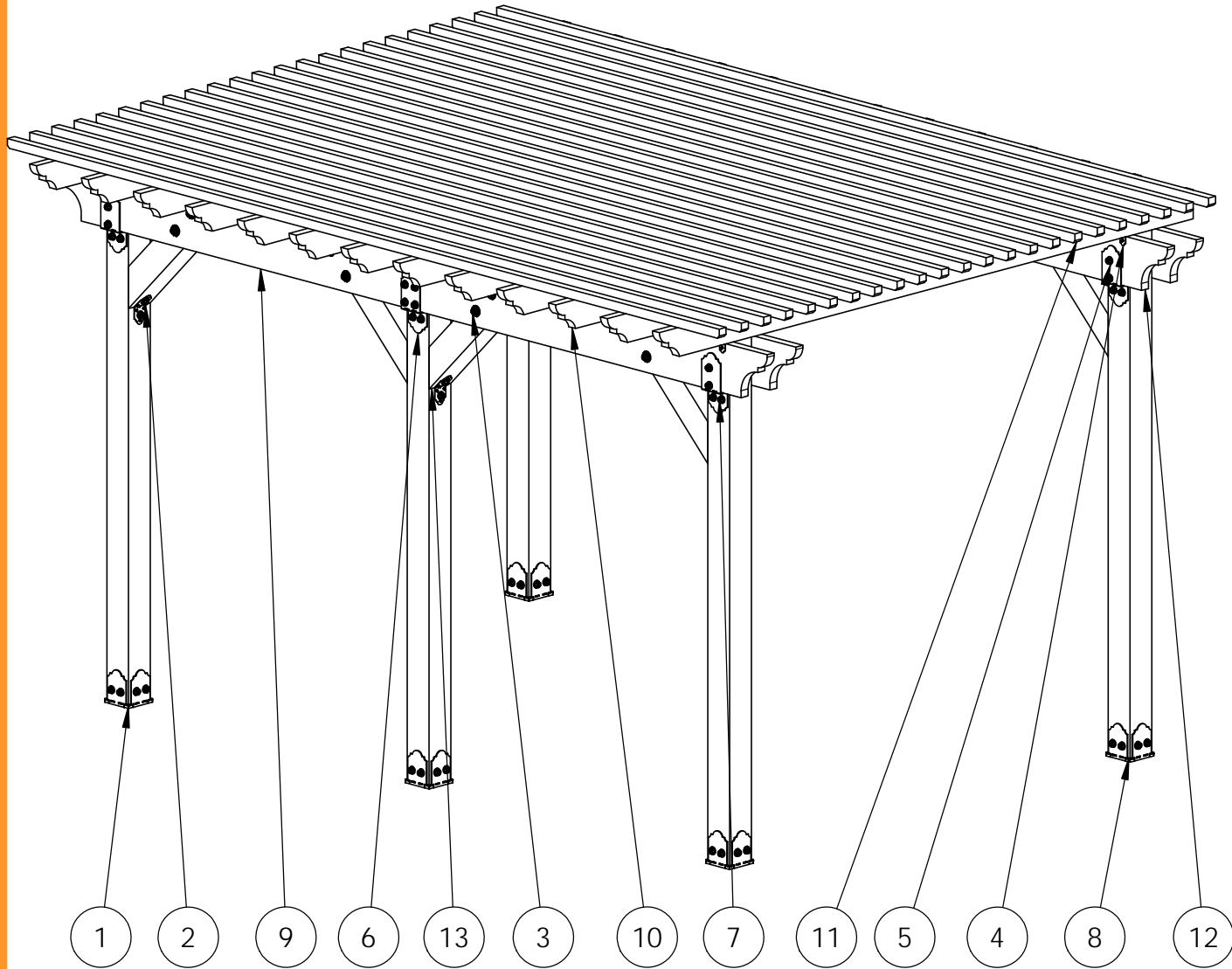
Overview-Right

OZCO Project #342 - Patio Pergola



Translucent

OZCO Project #342 - Patio Pergola



ITEM NO.	QTY.	PART NUMBER	DESCRIPTION
1	5	56608	6x6 Post Base Kit (6X6-PB-LS)
2	2	56668	4" Flush Inside 45 (FI45-LS-4)
3	12	56651	OWT Timber Bolt 8-10"
	12	56680	2" Timber Bolt Heavy Duty Washer (OWT-TBW-2)
4	3	56617	2" Standard Rafter Clip (RC-LS-2)
5	6	56651	OWT Timber Bolt 8-10"
6	1	56677	8" Post to Beam Coupler (P2B-SB-LS)
7	4	56637	Post to Beam Bolt Inline (P2B-BI-LS)
8	5	6x6 Cedar Post	6x6x8'7 13/16"
9	4	2x10 Cedar Board	2x10x8'0"
10	13	2x6 Cedar Board	2x6x12'0"
11	23	2x2 Cedar Board	2x2x16'0"
12	2	2x10 Cedar Board	2x10x16'0"
13	6	6x6 Cedar Support	6x6x3'0"

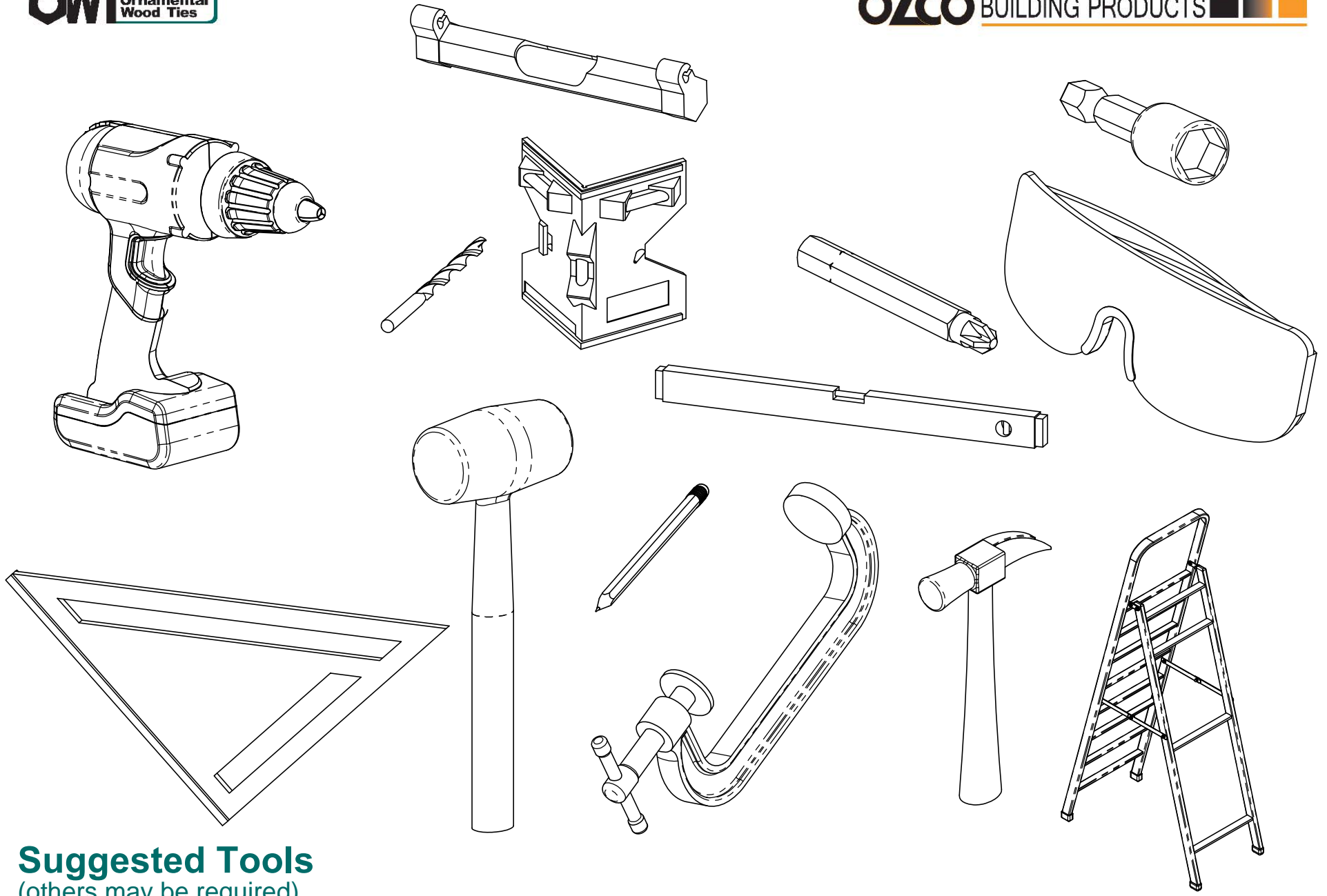
Bill of Material

OZCO Project #342 - Patio Pergola

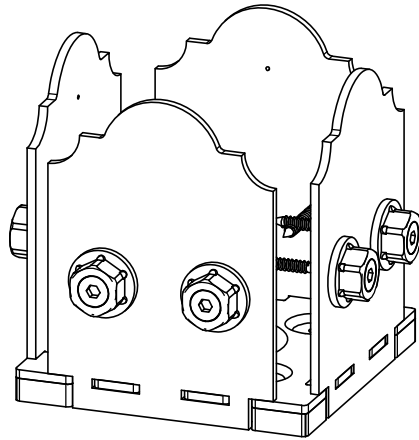
QTY.	PART NUMBER	DESCRIPTION
5	56608	6x6 Post Base (6x6-PB-LS)
3	56617	2" Standard Rafter Clip (RC-LS-2)
6	56651	OWT Timber Bolt 8-10"
1	56677	8" Post to Beam Coupler (P2B-SB-LS)
4	56637	Post to Beam Bolt Inline (P2B-BI-LS)
5	6x6x8L	6x6x8
4	2x10x8L	2x10x8
2	2x10x16L	2x10x16
13	2x6x12L	2x6x12
23	2x2x16L	2x2x16

Material List

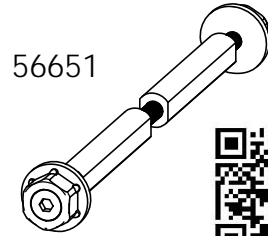
OZCO Project #342 - Patio Pergola



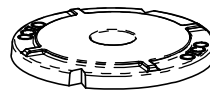
Suggested Tools
(others may be required)



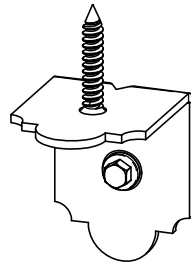
56608



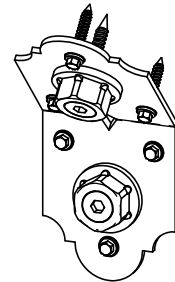
56651



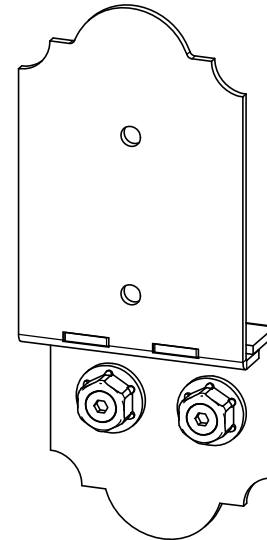
56680



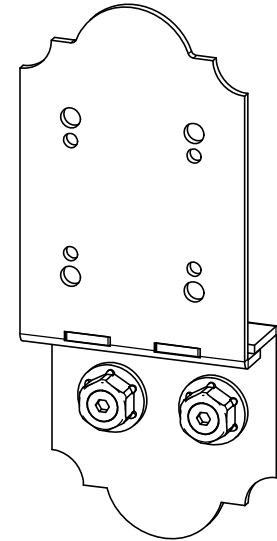
56617



56668

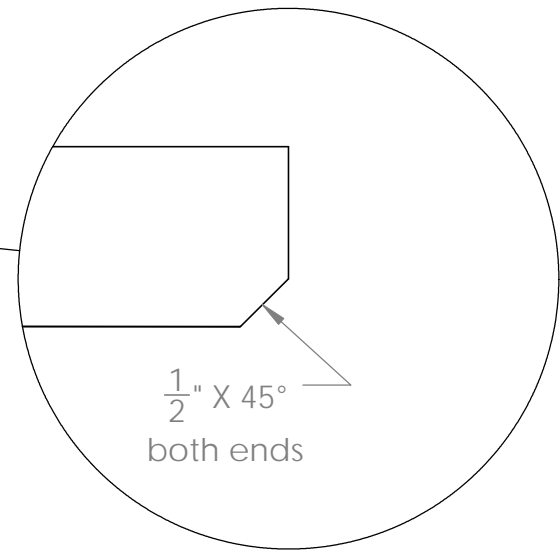
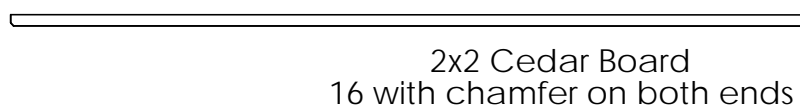
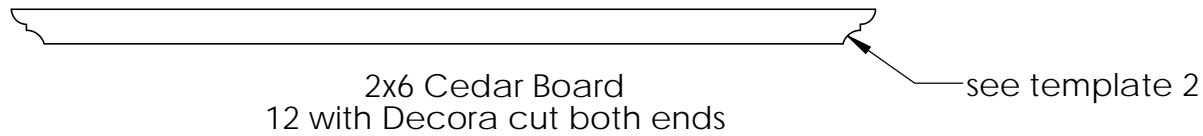
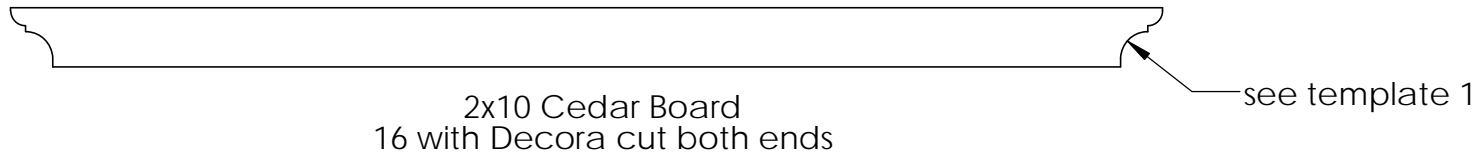


56637

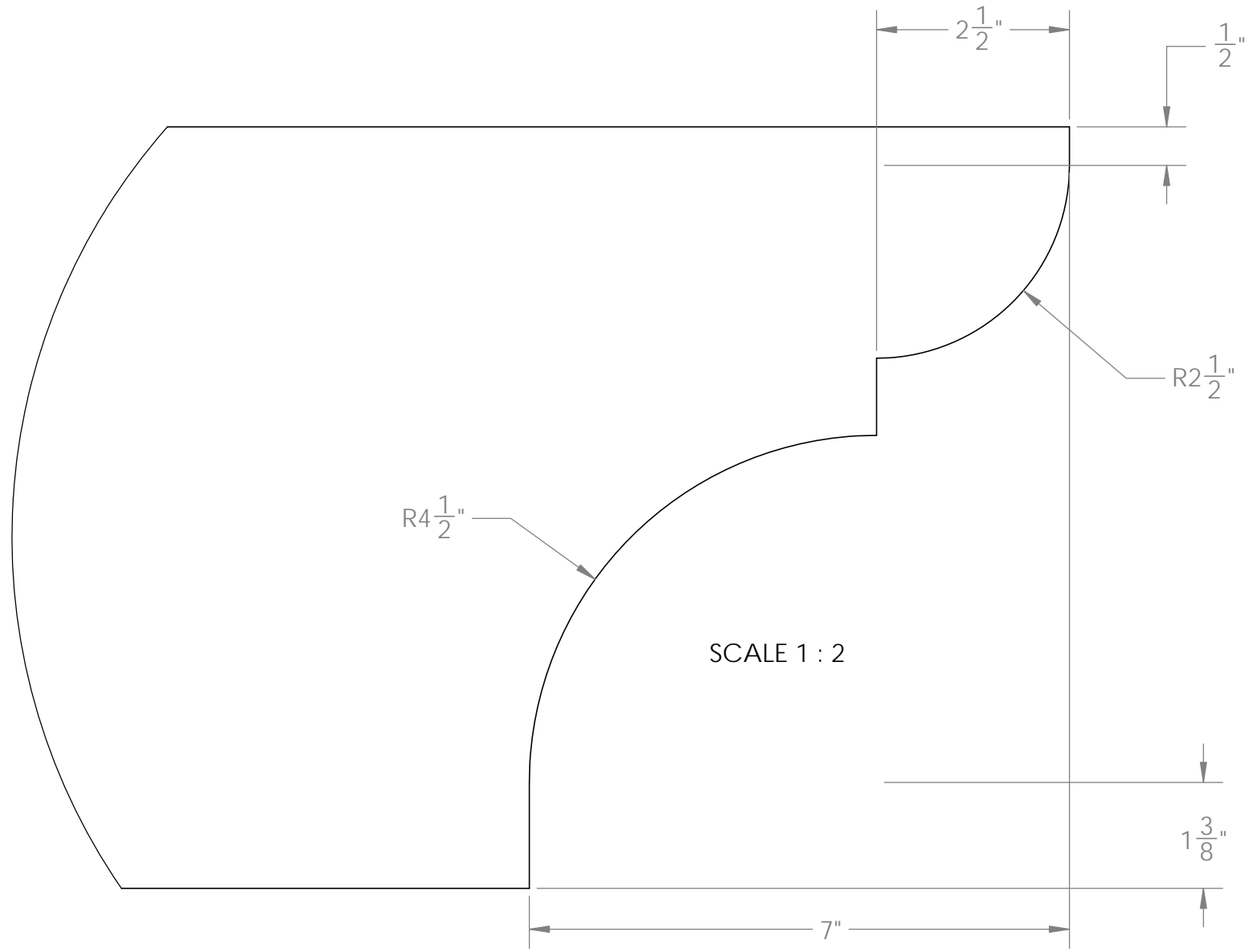


56677



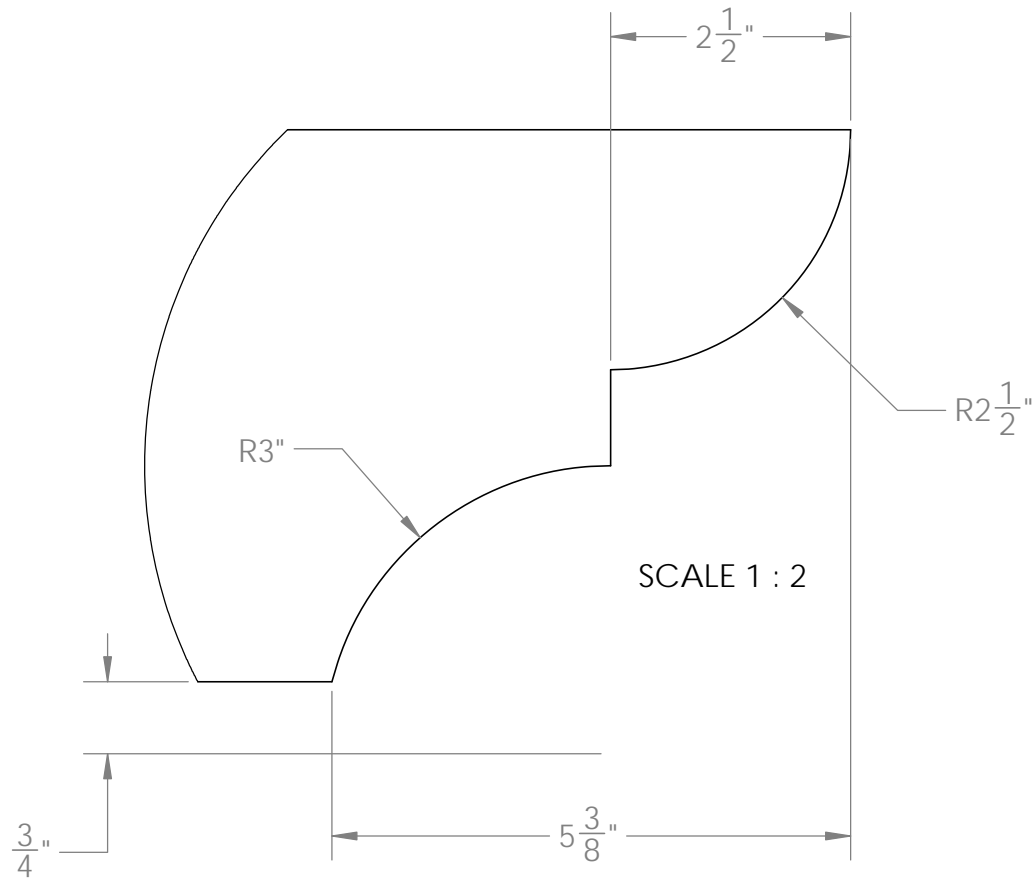


Cutlist



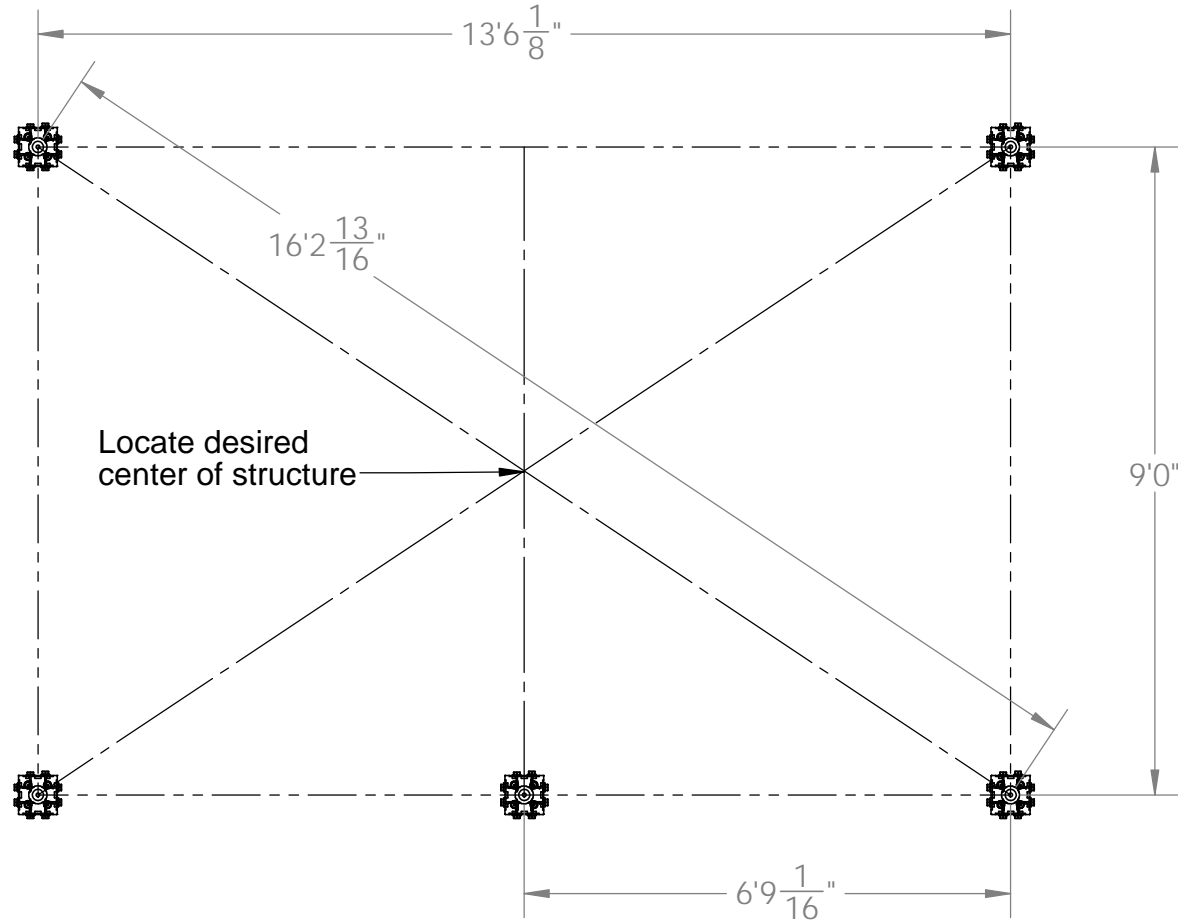
Template 1

OZCO Project #342 - Patio Pergola



Template 2

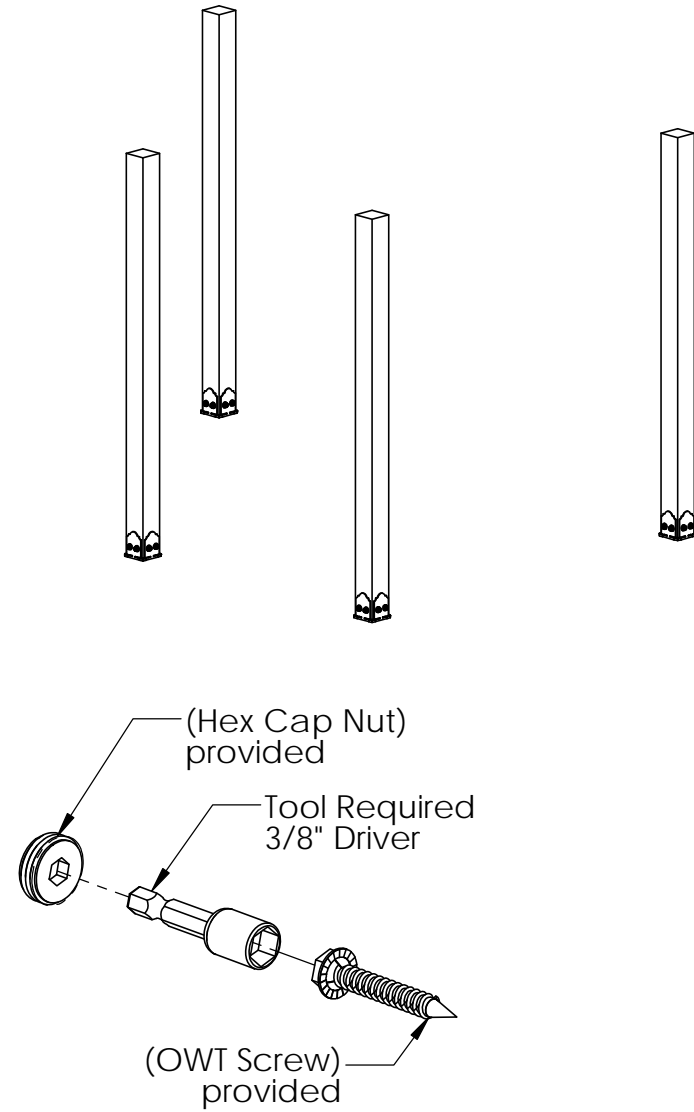
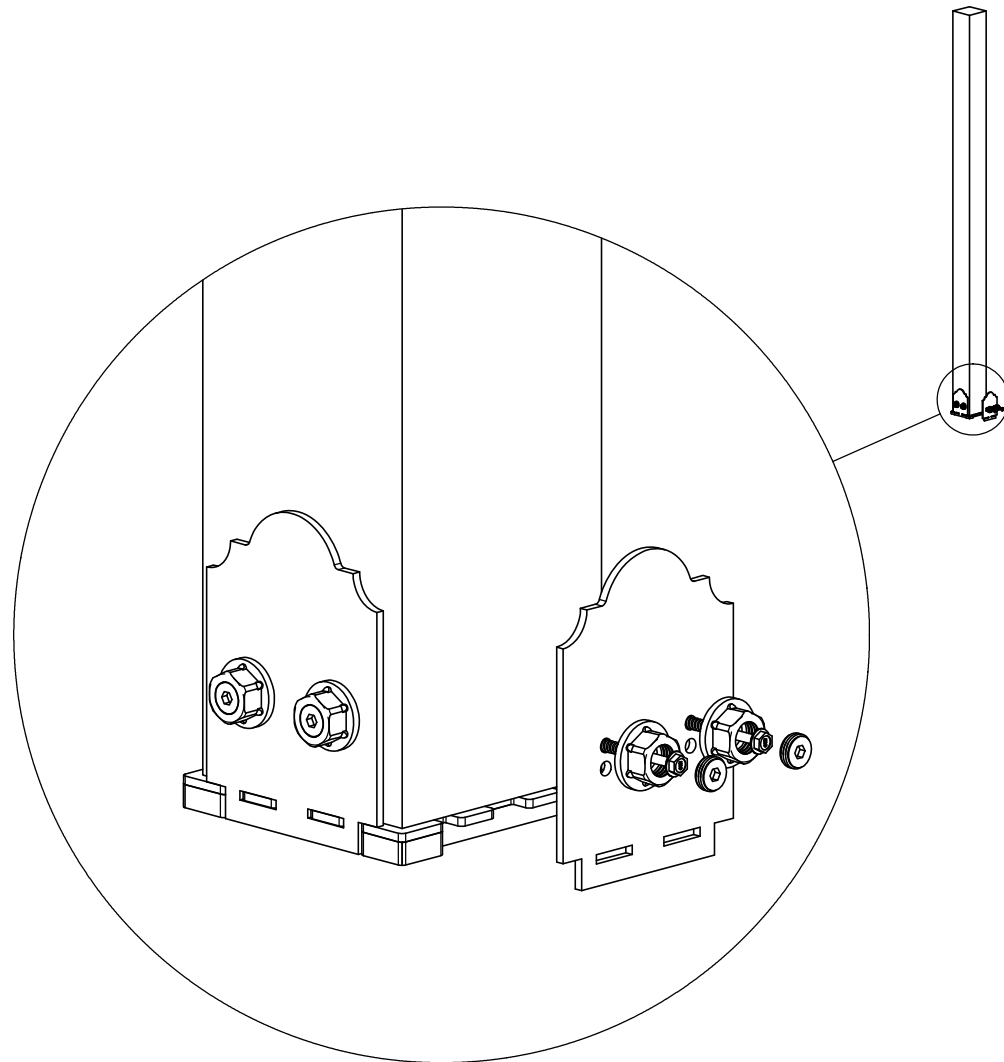
OZCO Project #342 - Patio Pergola



if site is not level,
see Ozco Site Leveling instruction

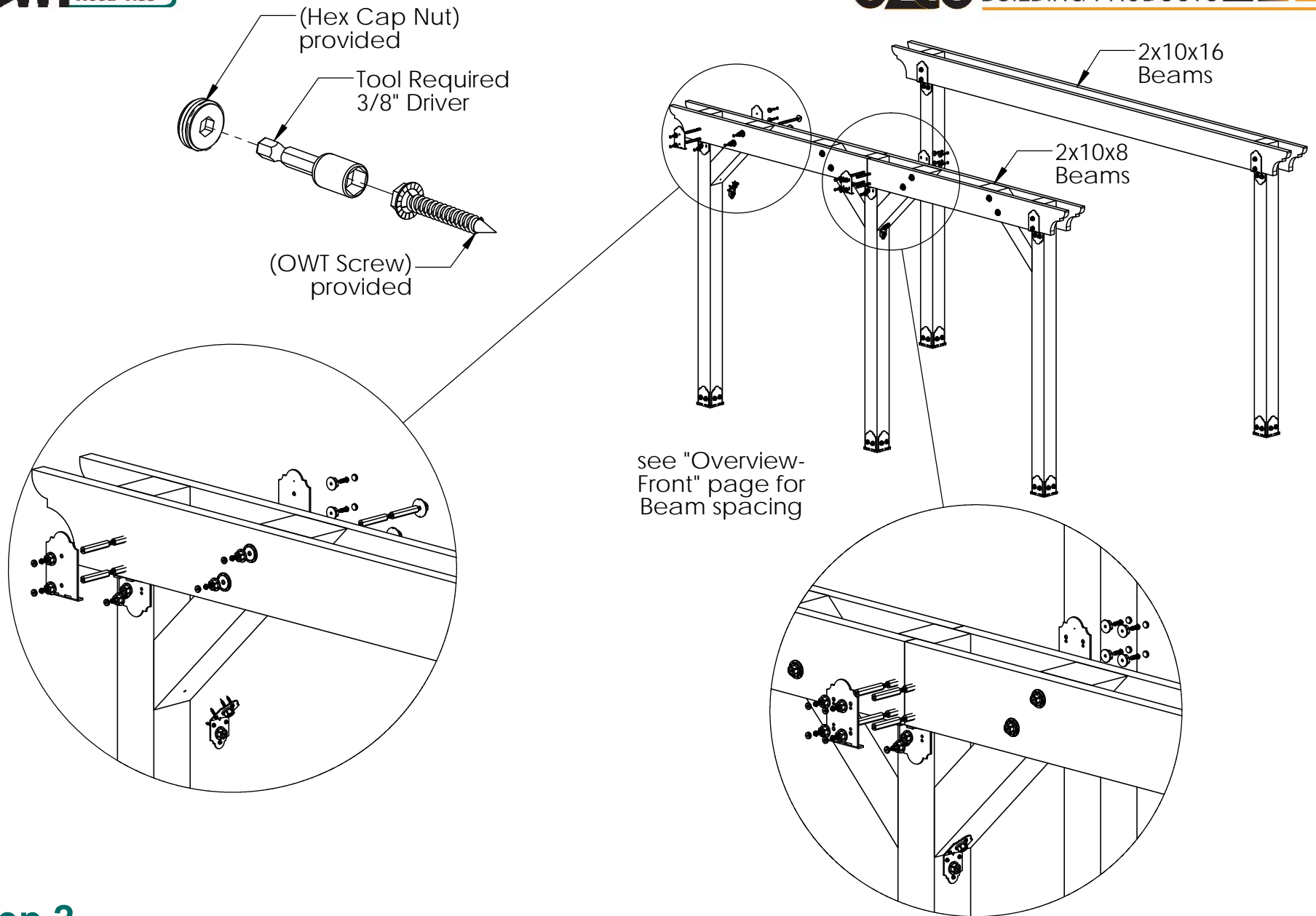


site plan



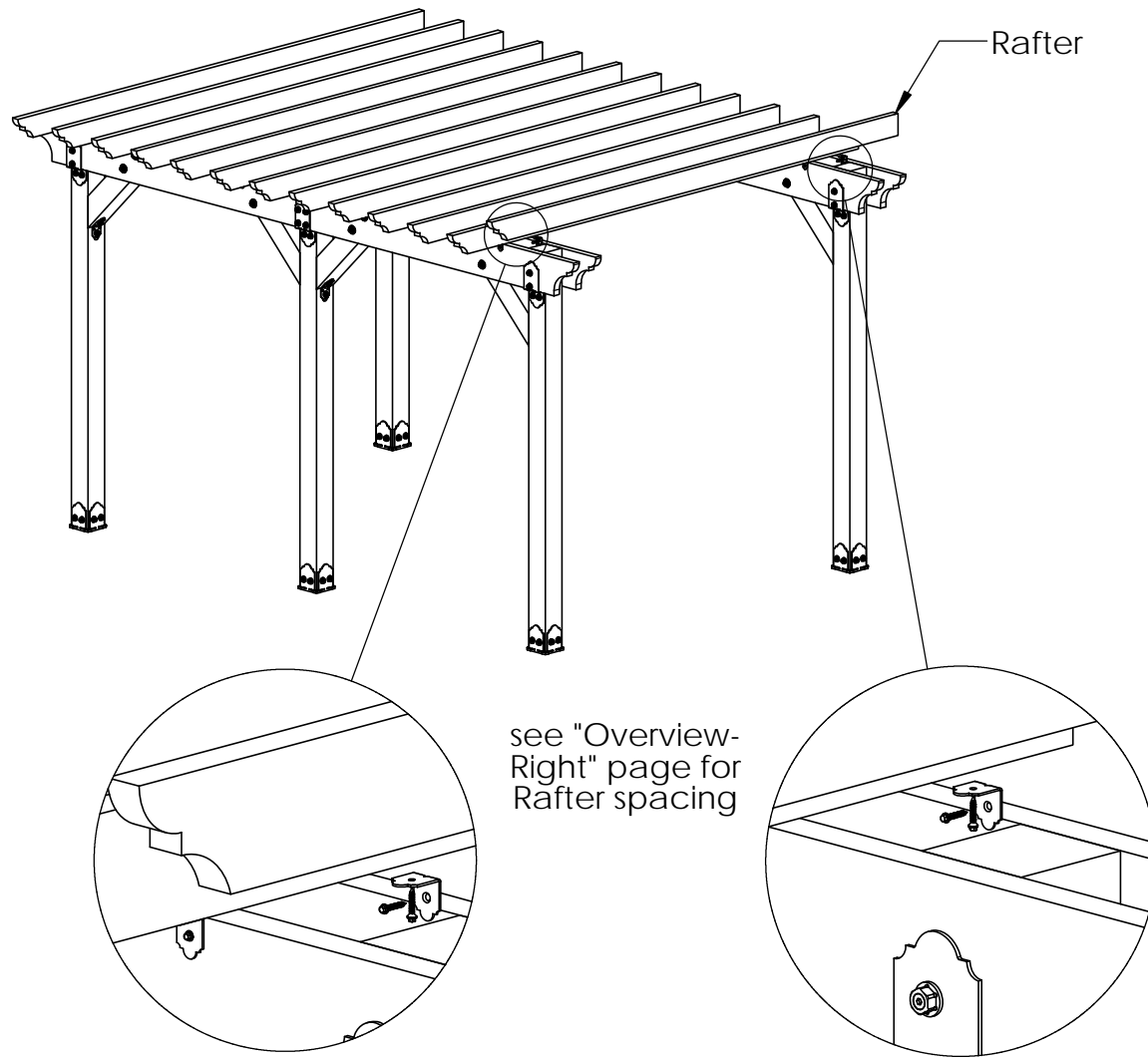
step 1

OZCO Project #342 - Patio Pergola



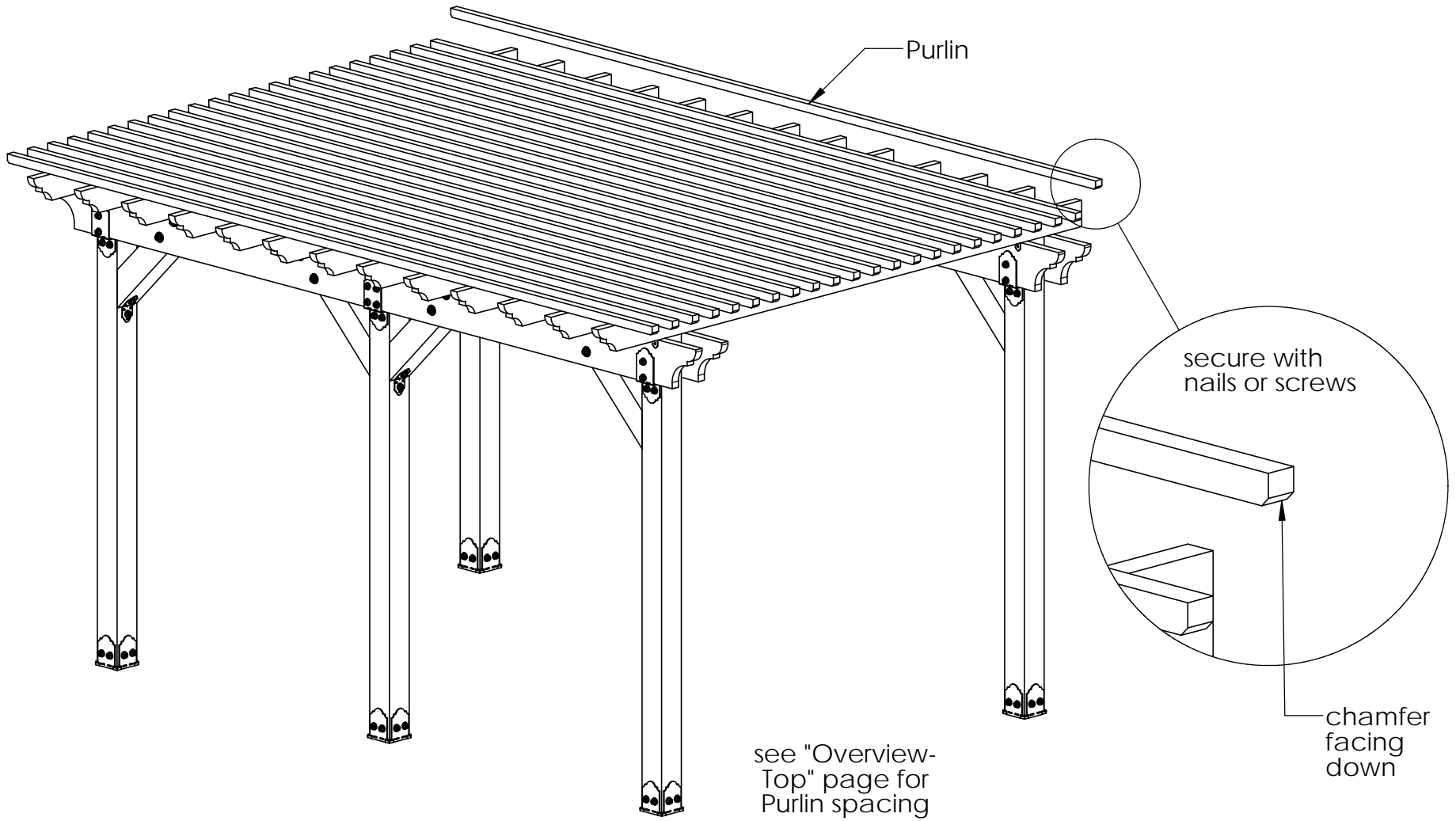
step 2

OZCO Project #342 - Patio Pergola



step 3

OZCO Project #342 - Patio Pergola



step 4

OZCO Project #342 - Patio Pergola

QUICK VIEW PROJECT PLANS

Take a moment to let our Project Plan Bill of Materials and Photo Book fill you with inspiration.

Like a particular a project and want the detailed plans?

 [CLICK HERE TO VIEW OUR ENTIRE DETAILED PROJECT PLAN LIBRARY](#)

↓
SEE MORE ⁴

OZCO PERGOLA VARIATIONS



CHOOSE FROM OUR VAST LIBRARY OF QUICK BILL OF MATERIALS TO FULL PROJECT PLANS, THOUSANDS OF PICTURES, VIDEOS, SPECS AND GUIDES!

OZCObp.com

OZCO BUILDING PRODUCTS

OZCO PROJECT #342
12X16' STRUCTURE WITH 6X6" POST
BILL OF MATERIALS

SCAN THE QR FOR FULL STEP BY STEP PROJECT PLANS AT OZCObp.com








QTY	ITEM #	DESCRIPTION
3	56606	6x6 Post Base Bolt (P28-01-12)
3	56617	2" Standard Rubber Strip (RC-13-21)
8	56651	3/4" x 6-1/2" OWT Timber Bolt
1	56677	8" Post to Beam Coupler (P28-08-13)
4	56637	Post to Beam Bolt Inlay (P28-01-13)

QTY	ITEM #	DESCRIPTION
5	LUMBER	6x6x8
4	LUMBER	2x10x8
2	LUMBER	2x10x16
13	LUMBER	2x10x12
23	LUMBER	2x6x16

■ Color indicates style shown in drawing & material list.
 PLEASE NOTE: All product styles can be inter-changed between Laredo Sunset (S66) and Ironwood (S17) product numbers.

©2017 Project 842-01-000000 - Copyright 2017 This graphic is for inspiration only and may not be an exact representation of the product or project. All materials, finishes, notes, quantities are listed as packages.

<
>

20-21 / 68
+
issuu
🔍
📄