

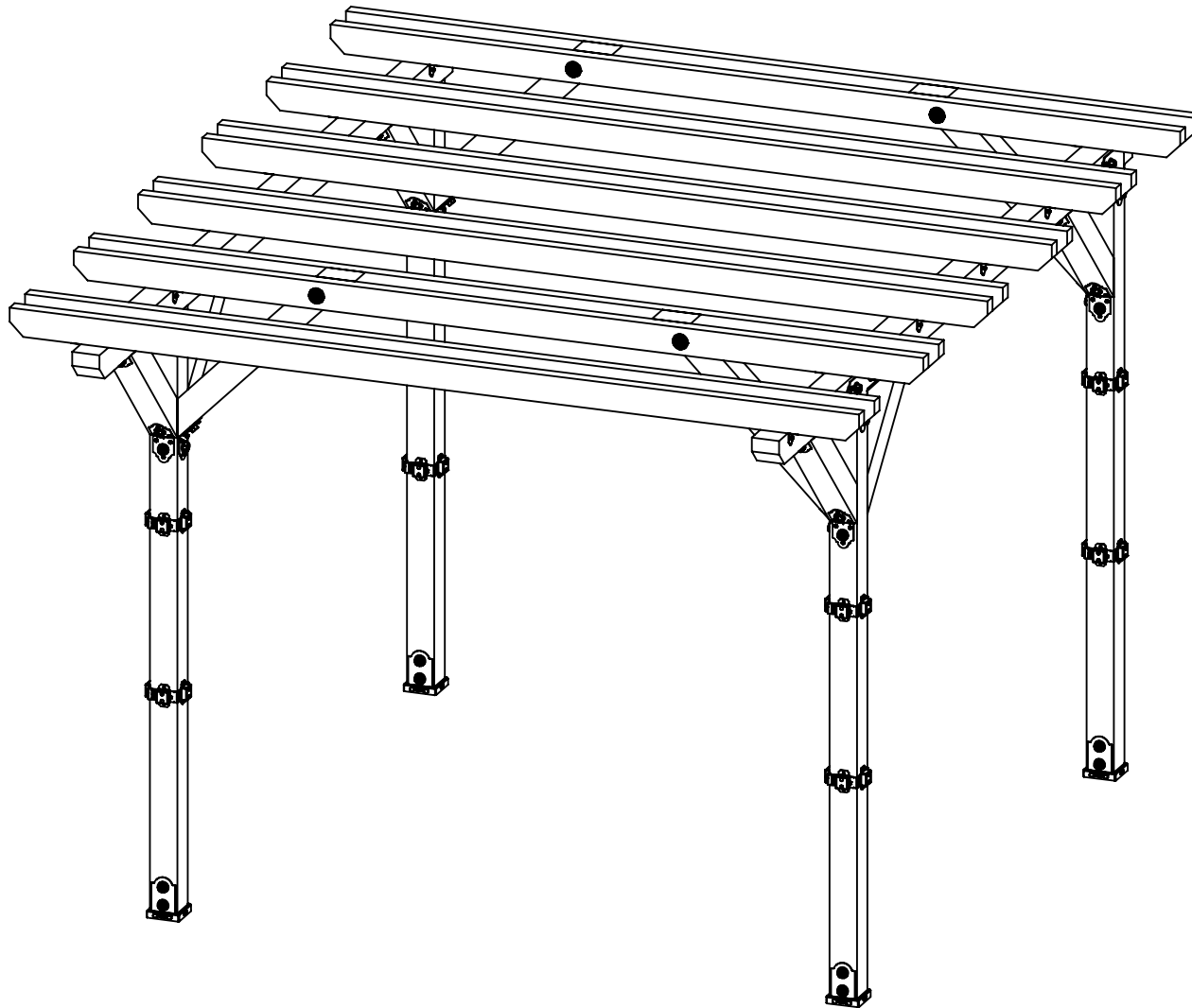
**DESIGN**

**PURCHASE**

**CONSTRUCT**

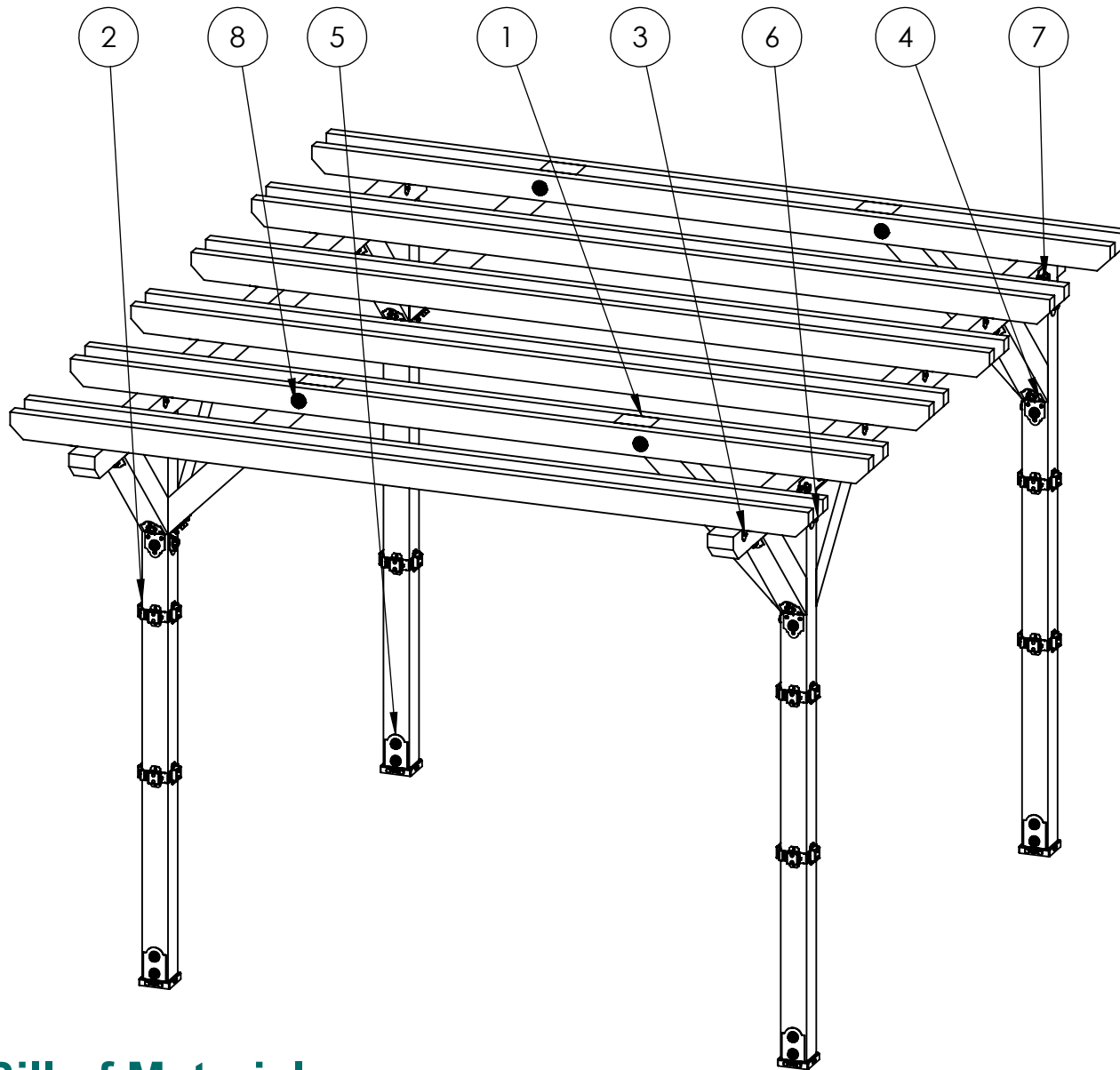
**ENJOY**

**OZCO Project #345**



**OZCO Project #345**

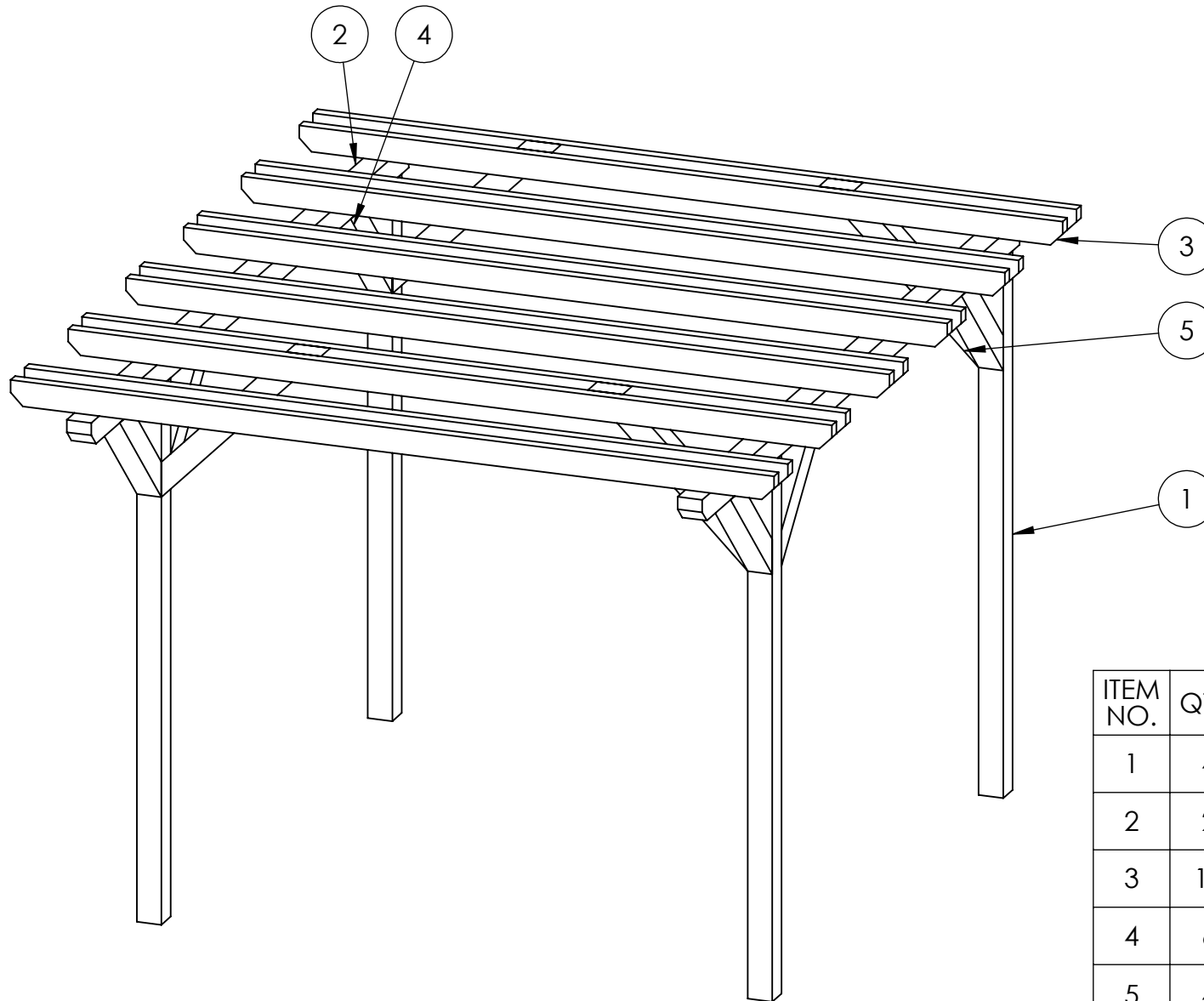
V2.00 - Installation Instructions, Specifications and Project Plans are effective 3/16/2022 . This information is updated periodically and should not be relied upon after 2 years from 3/16/2022 . Please visit [OZCOBP.com](http://OZCOBP.com) to get current information. 1



ITEM NO.	QTY.	PART NUMBER	DESCRIPTION
1	1	ozco project #345	
2	8	51783	4x4 Post Band (4X4-BND-IW)
3	3	56617	2" Standard Rafter Clip (RC-LS-2)
4	4	56668	4" Flush Inside 45 (FI45-LS-4)
5	4	54207	Lite 4X4 Post Base (4X4-PB-LSL)
6	2	56666	T-Tie 4" Plate (TTP-LS-4)
7	2	56684	4" 90 Flush Outside (FO-90-LS-4)
8	2	56650	OWT Timber Bolt 6-8"
	2	56680	2" Timber Bolt Heavy Duty Washer (OWT-TBW-2)

## Bill of Materials

OZCO Project #345

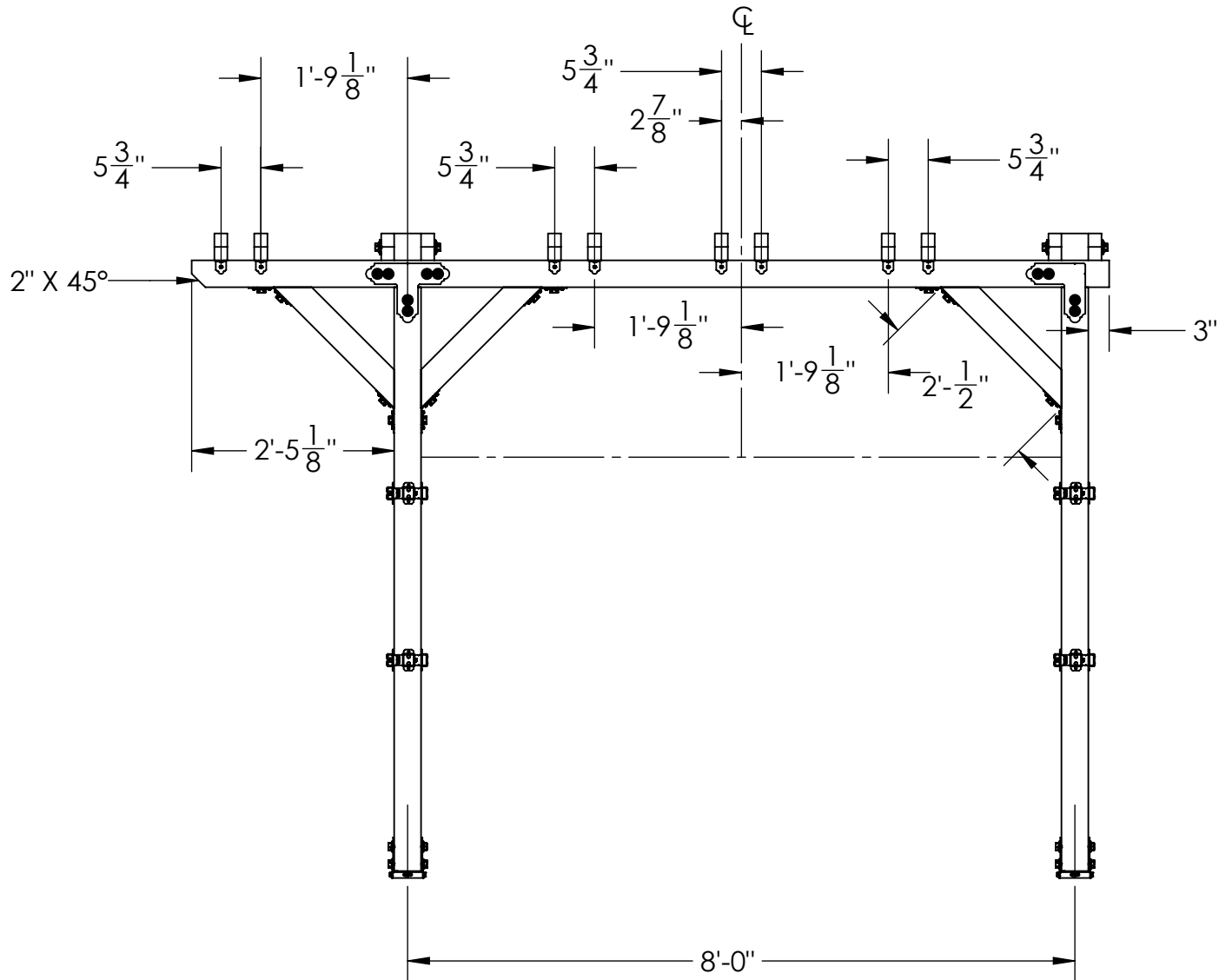


ITEM NO.	QTY.	DESCRIPTION	LENGTH
1	4	4x4 Cedar	7'
2	2	4x4 Cedar	11'
3	12	2x4 Cedar	10'
4	6	4x4 Cedar	2'- 1/2"
5	4	4x4 Cedar	2'-11 1/2"

## Structure

OZCO Project #345





## Bill of Materials

OZCO Project #345