

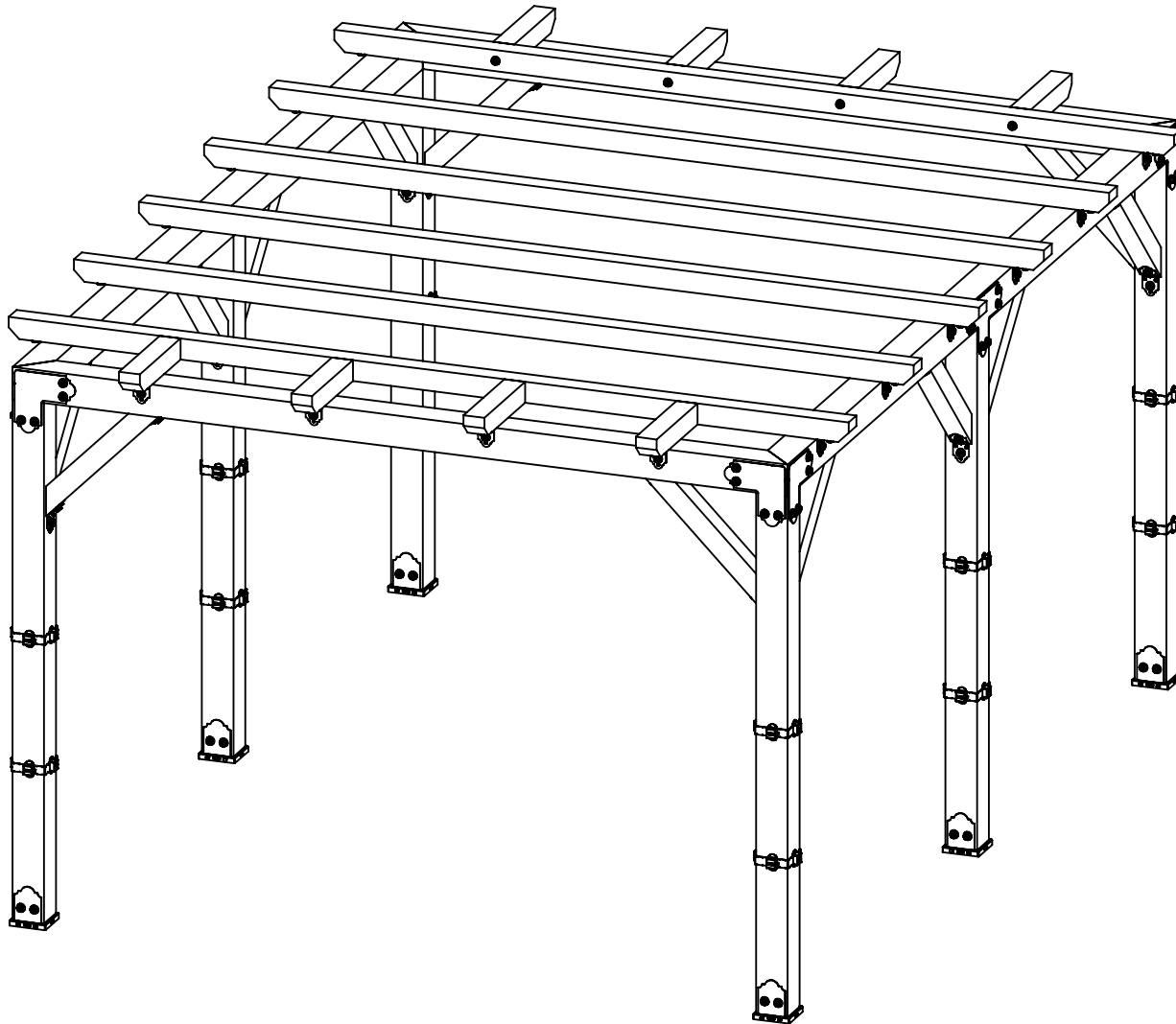
DESIGN

PURCHASE

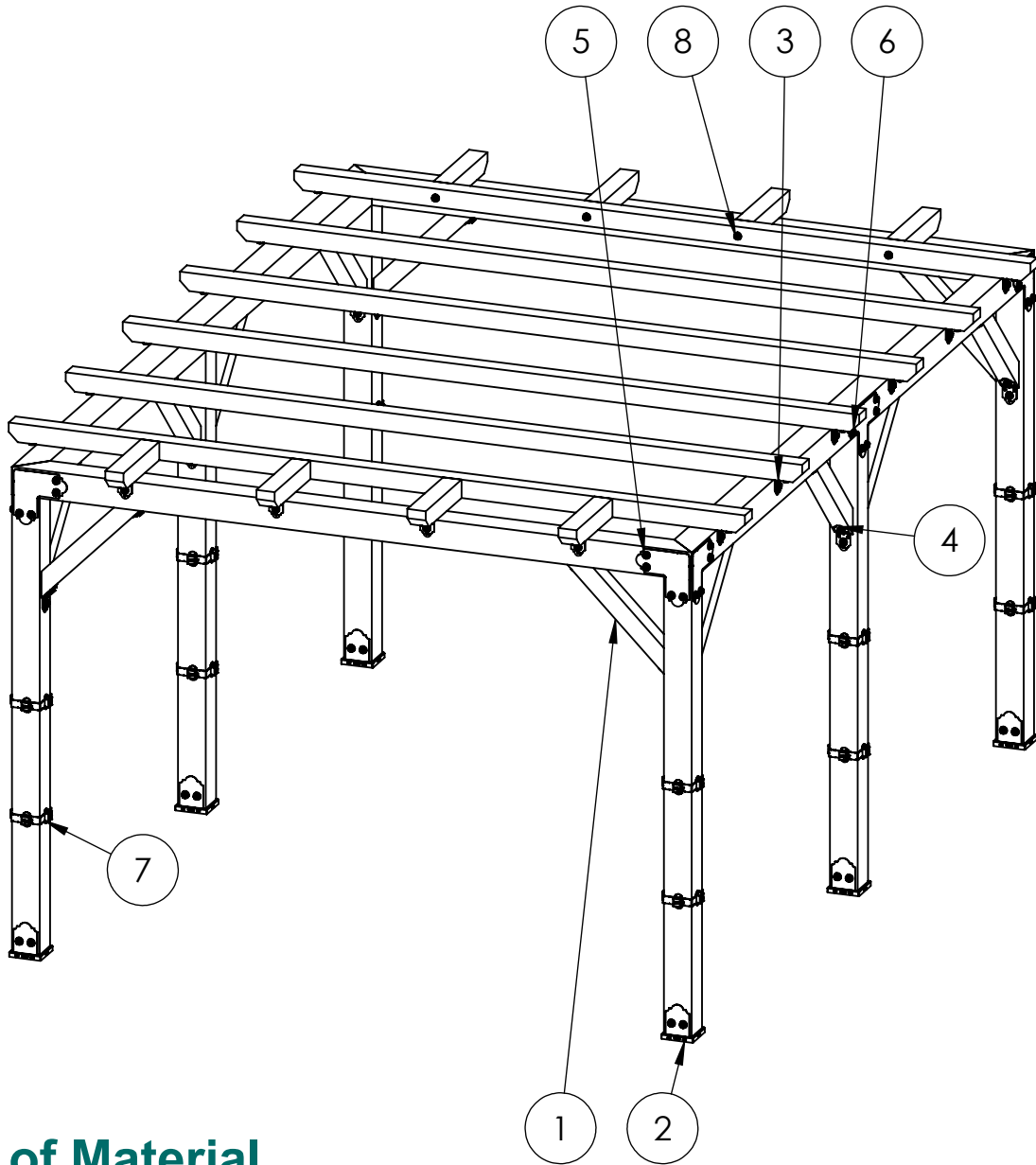
CONSTRUCT

ENJOY

OZCO Project #346 Modern Pergola



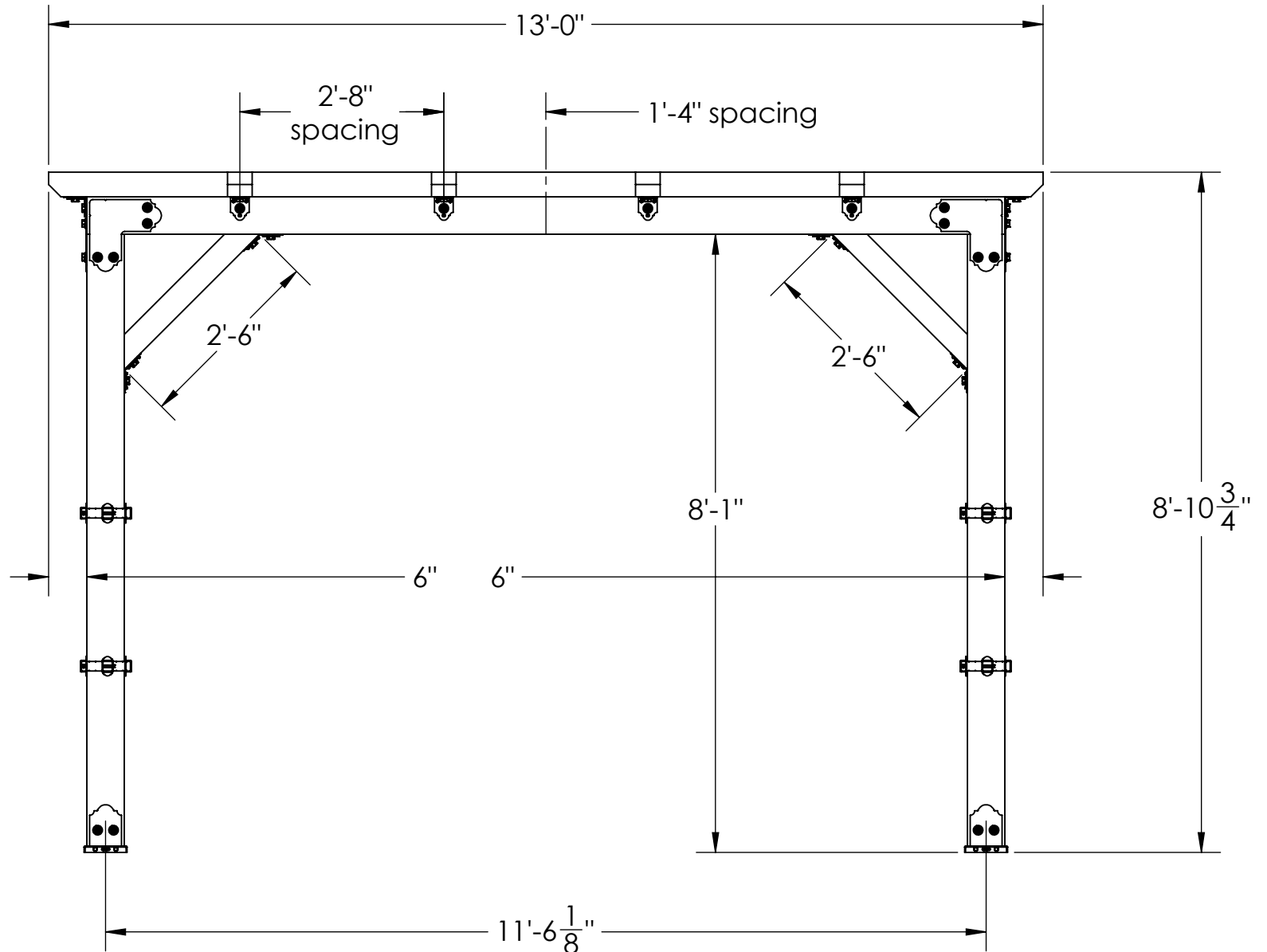
OZCO BUILDING PRODUCTS



ITEM NO.	QTY.	PART NUMBER	DESCRIPTION
1	1	OZCO Project #346 Modern Pergola	
2	6	54208	Lite 6X6 Post Base (6X6-PB-LSL)
3	2	56618	4" Standard Rafter Clips (RC-LS-4)
4	6	56668	4" Flush Inside 45 (FI45-LS-4)
5	8	56699	Laredo Sunset 5" Flush Outside 90° w/ HCN (5-FO90-LS)
6	2	56692	Laredo Sunset 5" T-Tie Plate w/ HCN (LS-TTP-5)
7	12	56686	6x6 Post Band (6X6-BND-LS)
8	1	56628	Screw, OWT 5-3/4" (145mm) Timber with HCN
	1	56621	1 1/2" Hex Cap Nut (HCN)

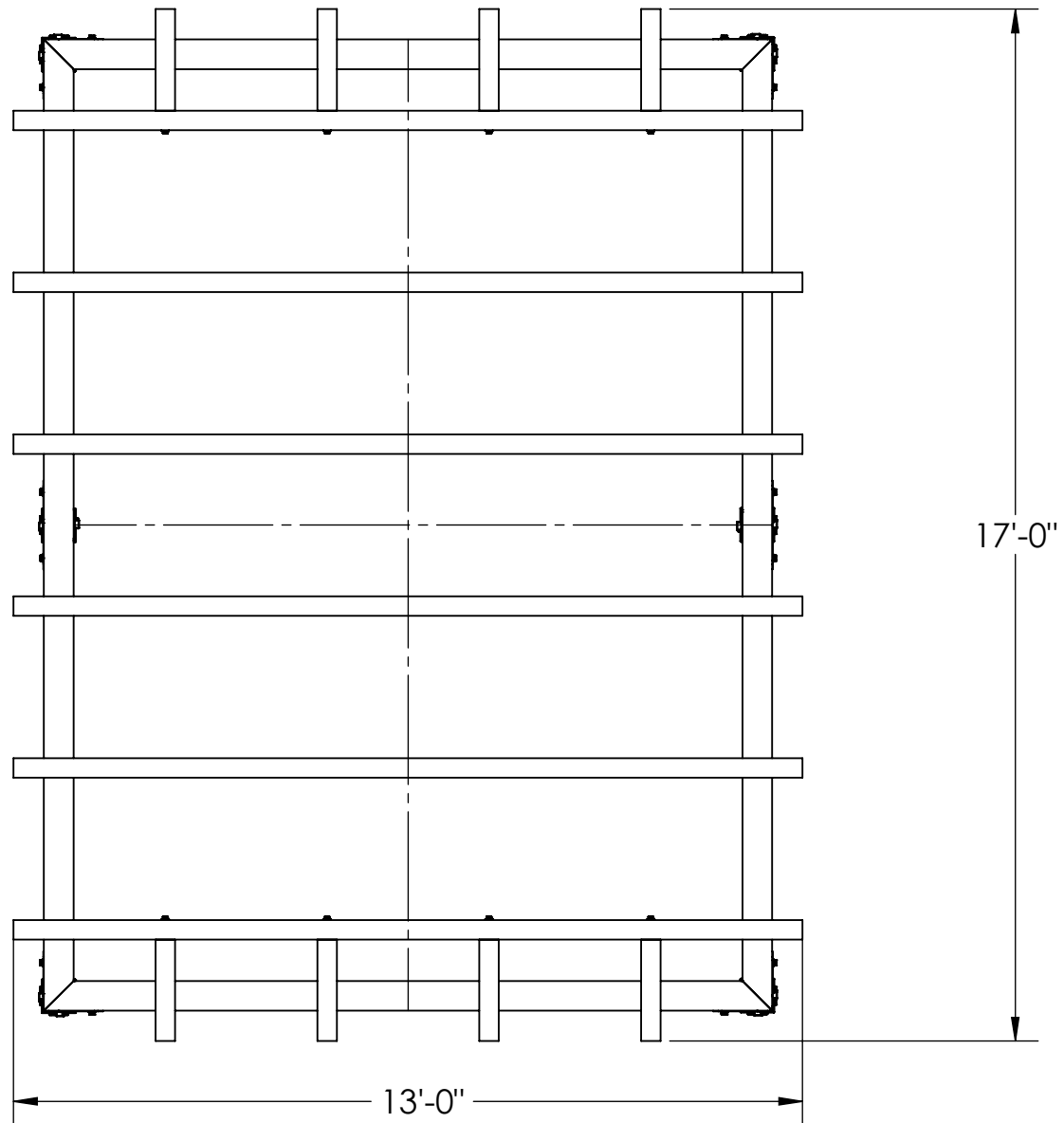
Bill of Material

OZCO Project #346 Modern Pergola



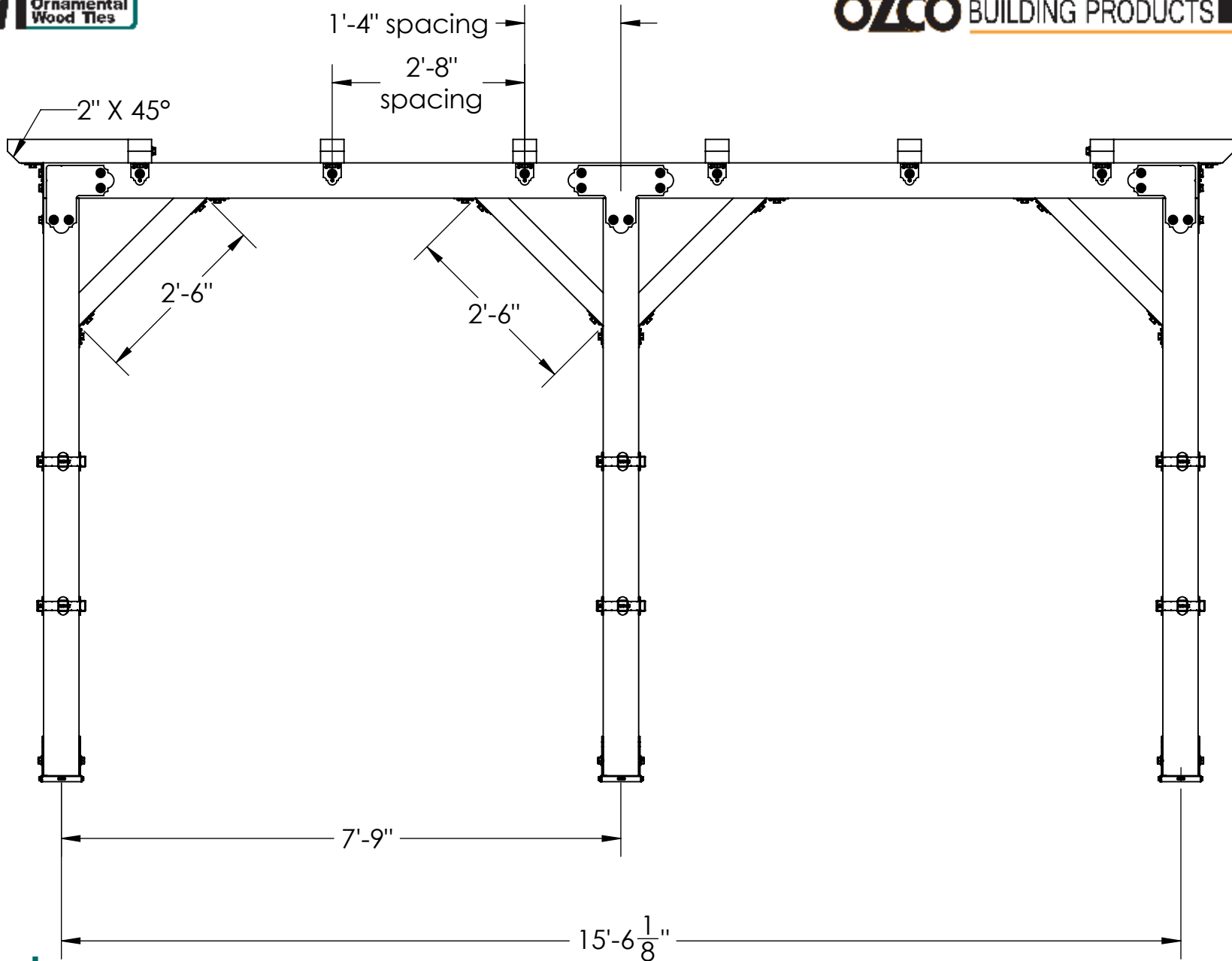
Overview

OZCO Project #346 Modern Pergola

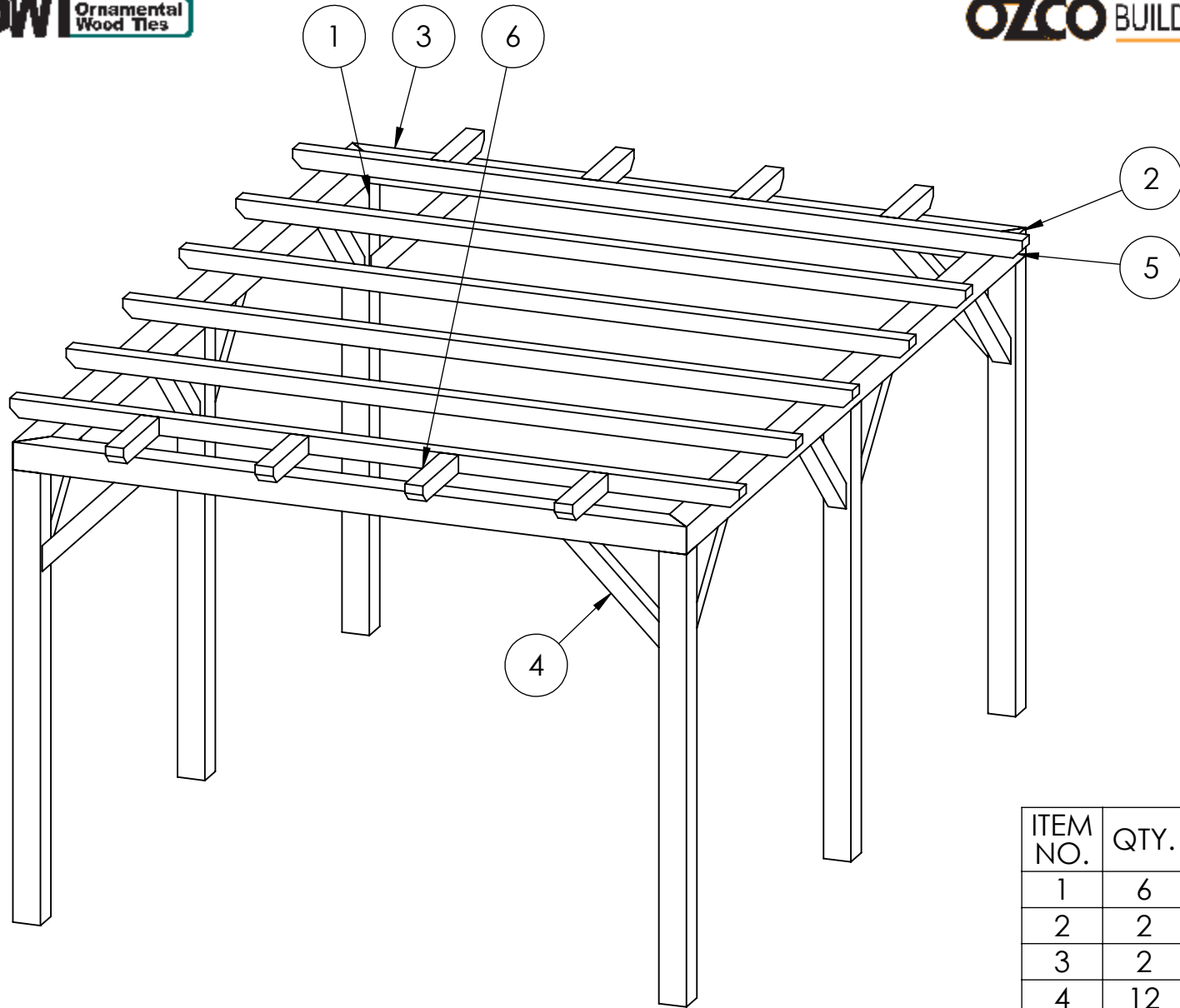


Overview

OZCO Project #346 Modern Pergola



Overview



ITEM NO.	QTY.	DESCRIPTION	LENGTH
1	6	6x6 Cedar	8'
2	2	6x6 Cedar	16'
3	2	6x6 Cedar	12'
4	12	4x4 Cedar	2'-6"
5	6	4x4 Cedar	13'
6	8	4x4 Cedar	1'-8 1/8"

Wood



Transparent

OZCO Project #346 Modern Pergola