

DESIGN

PURCHASE

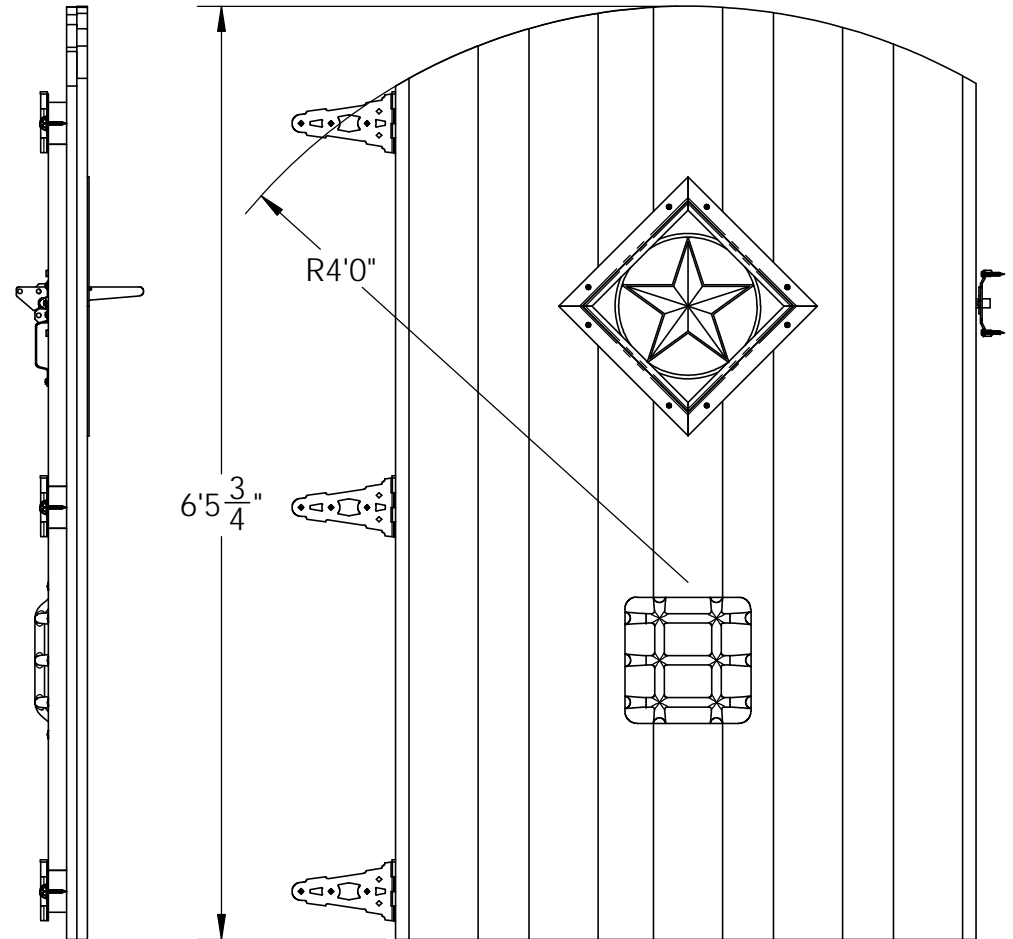
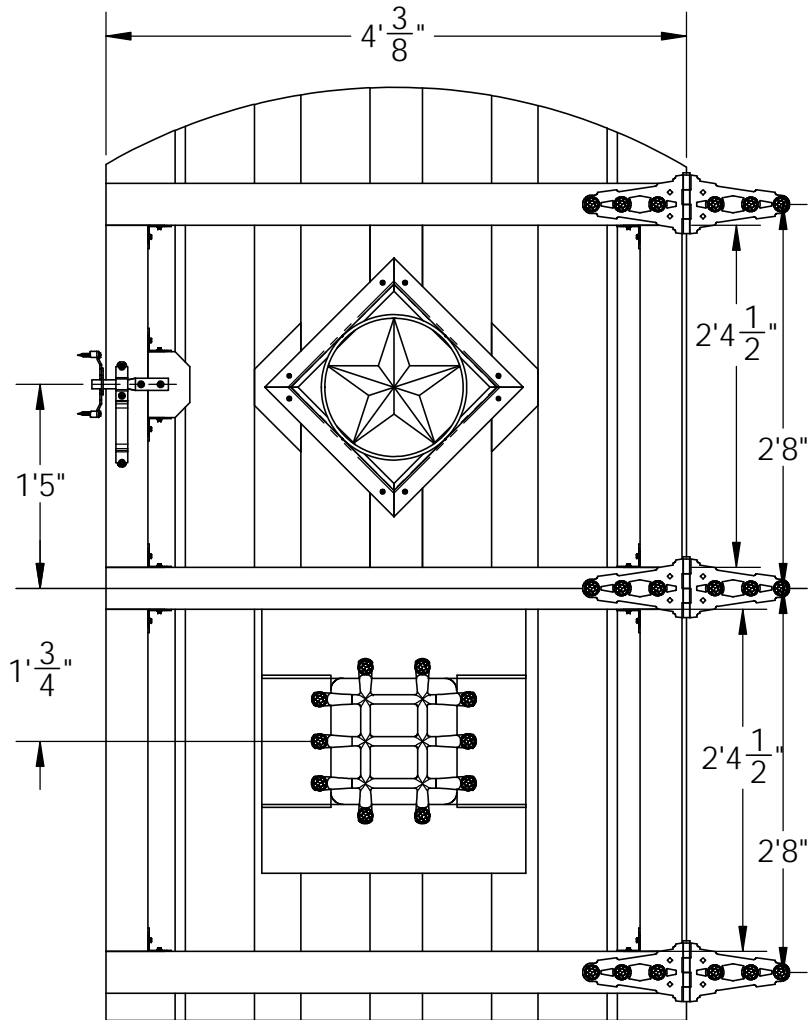
CONSTRUCT

ENJOY

OZCO Project #410 - Gate with Dog Lookout

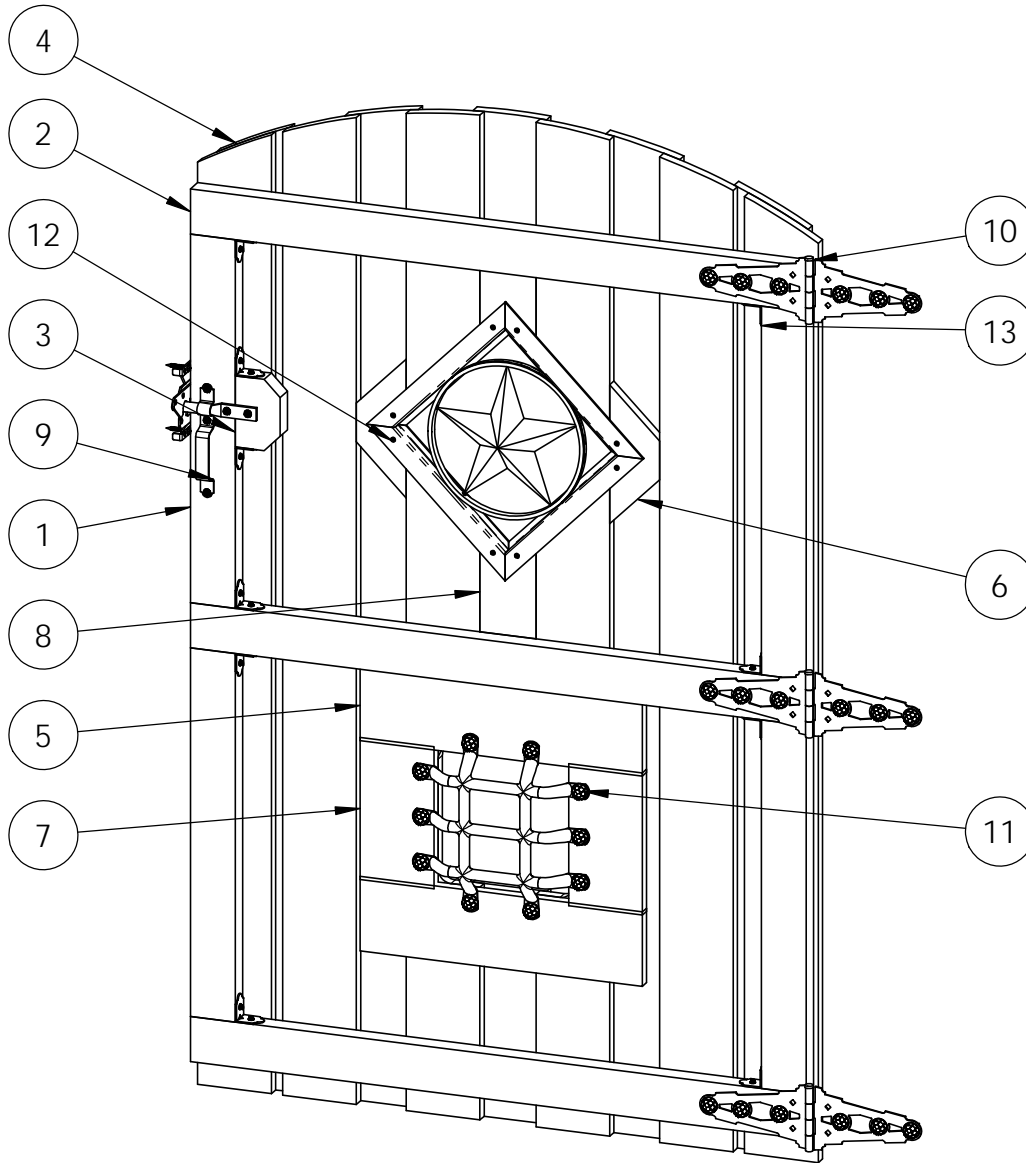


OZCO BUILDING PRODUCTS ■ ■ ■



Overview

OZCO Project #410 - Gate with Dog Lookout



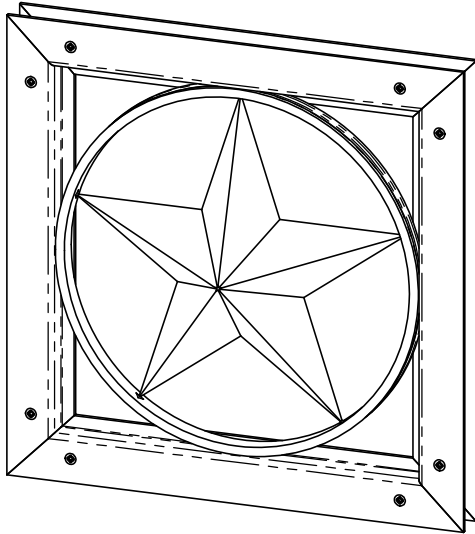
ITEM NO.	QTY.	PART NUMBER	DESCRIPTION
1	2	2x4 Cedar Board	2x4x6'0"
2	3	2x4 Cedar Board	2x4x4'0"
3	1	2x4 Cedar Board	2x4x1'3 1/2"
4	11	1x6 Cedar Board	1x6x8'0"
5	2	1x6 Cedar Board	1x6x1'10"
6	2	1x6 Cedar Board	1x6x1'3"
7	2	1x6 Cedar Board	1x6x11"
8	1	1x6 Cedar Board	1x6x3'0"
9	1	56656	Standard Latch Kit (S-LATCH)
10	1	56654	Strap Hinge Kit (S-HINGE)
11	1	56660	13"x13" Speak Easy Accent (GA EASY)
12	1	56665	Assembly, 15-1/4" x 15-1/4" Star Accent
13	1	56617	2" Standard Rafter Clip (RC-LS-2)

Bill of Materials

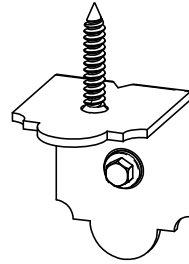
OZCO Project #410 - Gate with Dog Lookout

QTY.	PART NUMBER	DESCRIPTION
1	56656	Standard Latch Kit (S-LATCH)
1	56654	Strap Hinge Kit (S-HINGE)
1	56660	13"x13" Speak Easy Accent (GA EASY)
1	56665	Assembly, 15-1/4" x 15-1/4" Star Accent
1	56617	2" Standard Rafter Clip (RC-LS-2)
2	2x4x8L	2x4x8
1	2x4x12L	2x4x12
13	1x6x8L	1x6x8

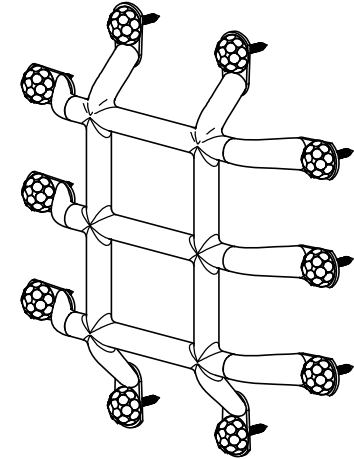
Material List



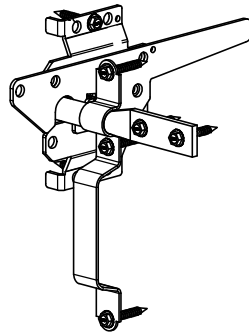
56665



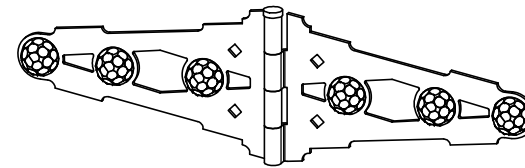
56617



56660

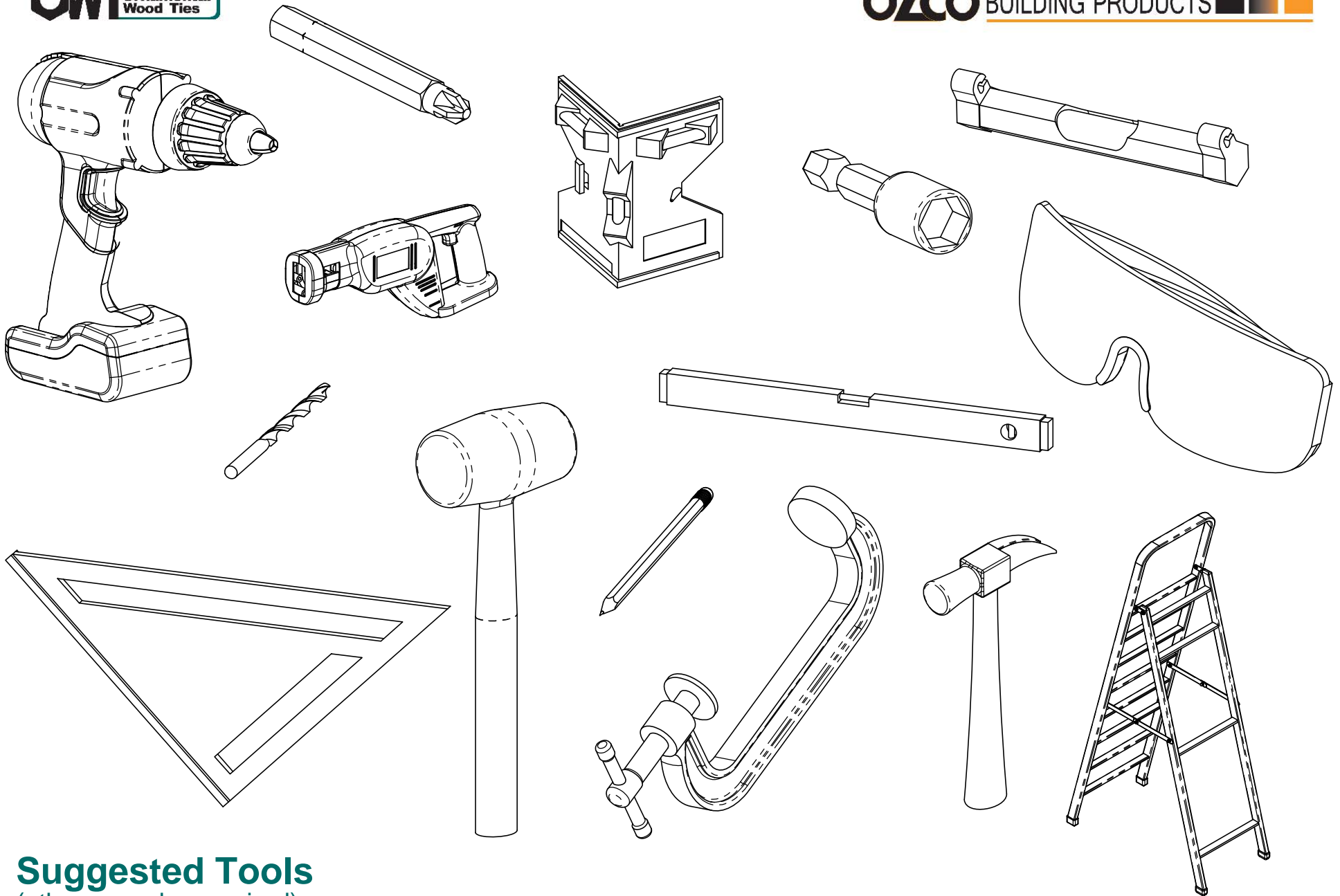


56656



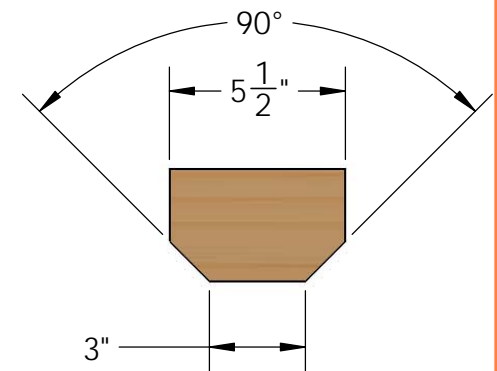
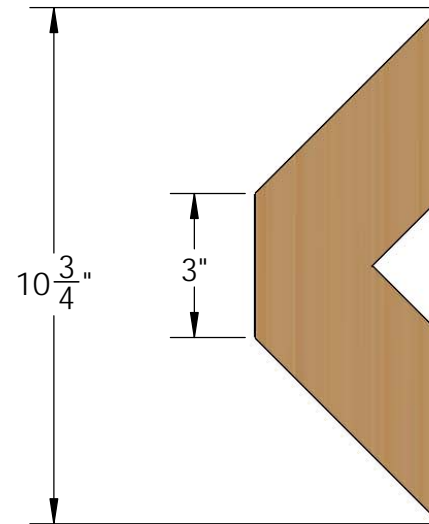
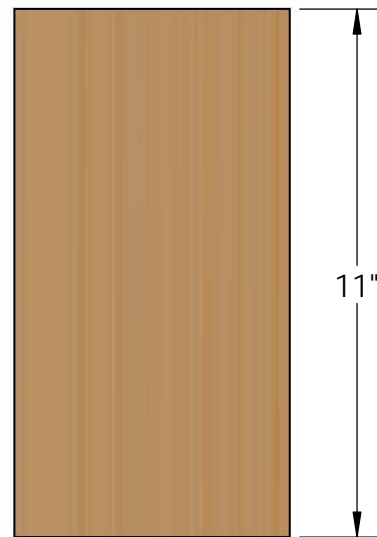
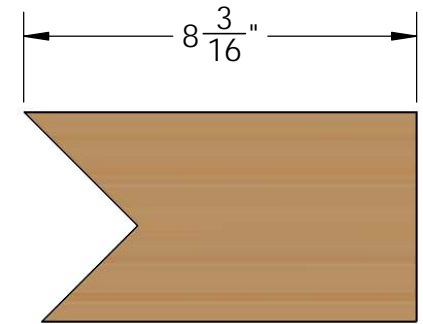
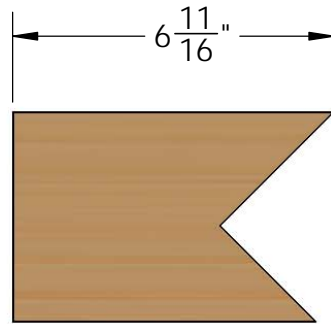
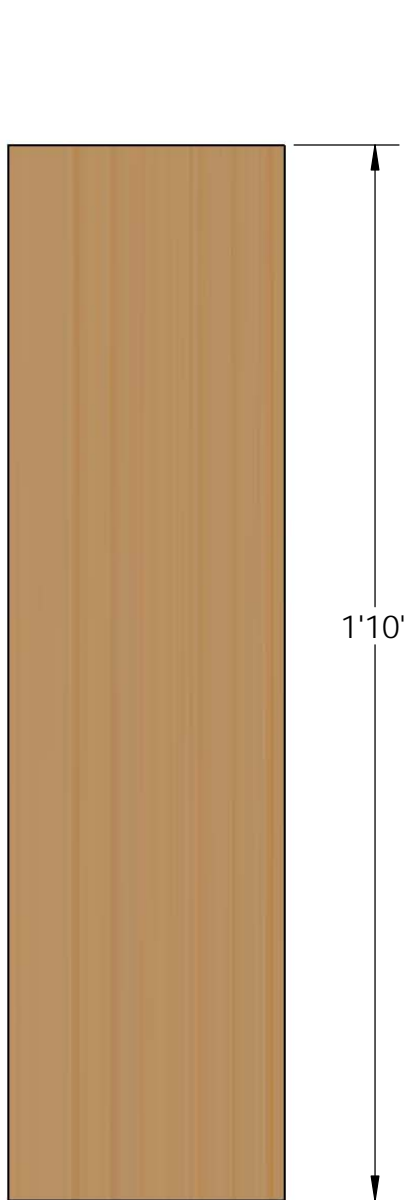
56654





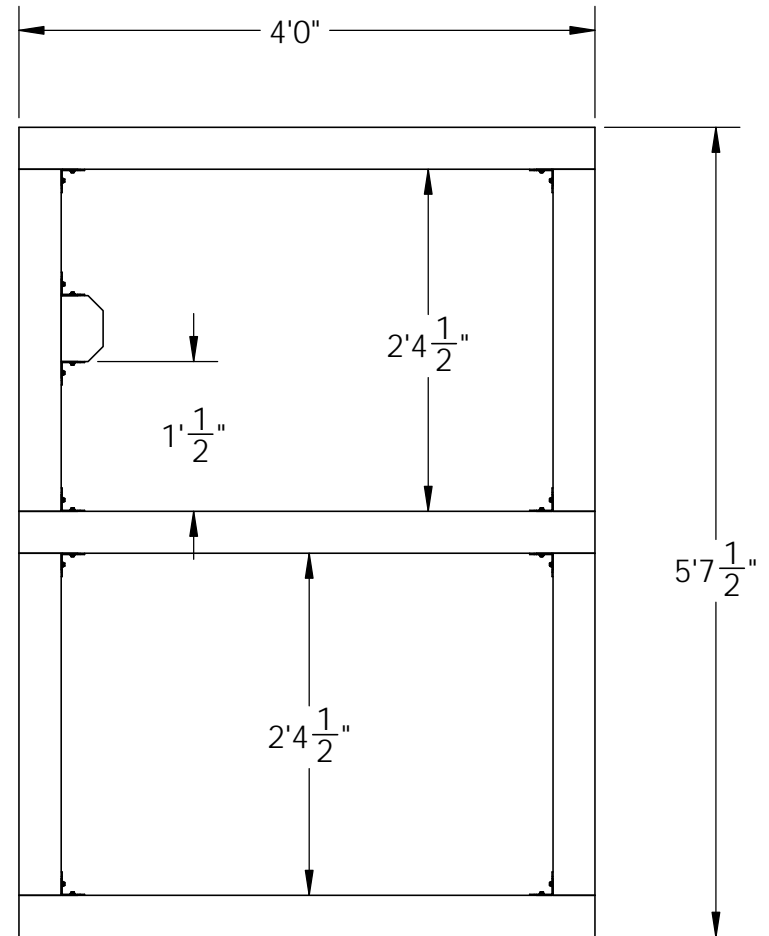
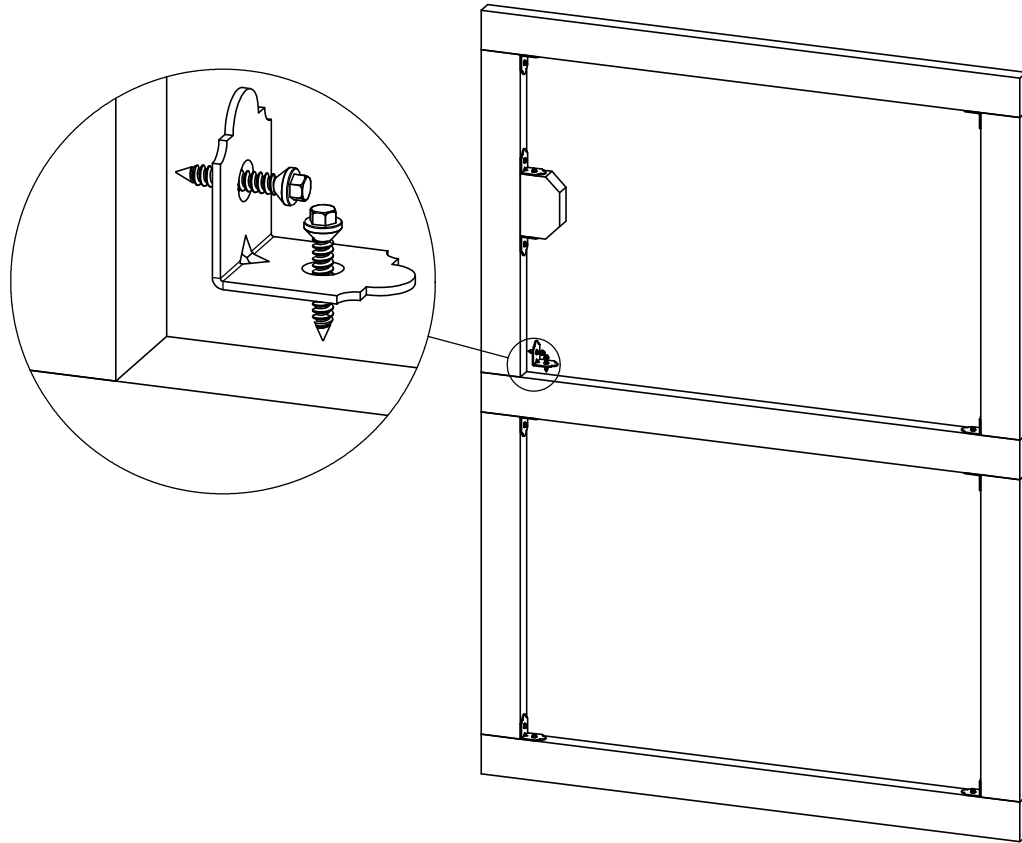
Suggested Tools
(others may be required)

OZCO Project #410 - Gate with Dog Lookout



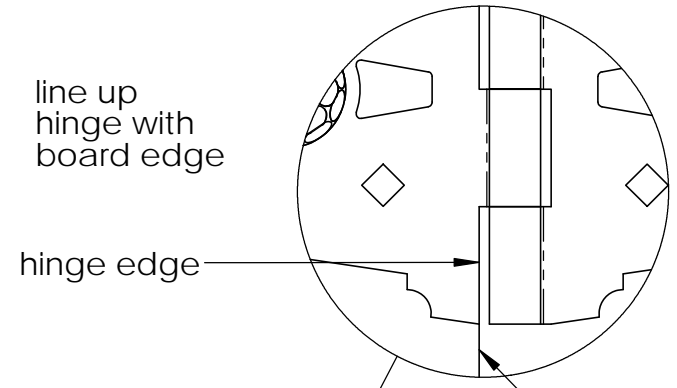
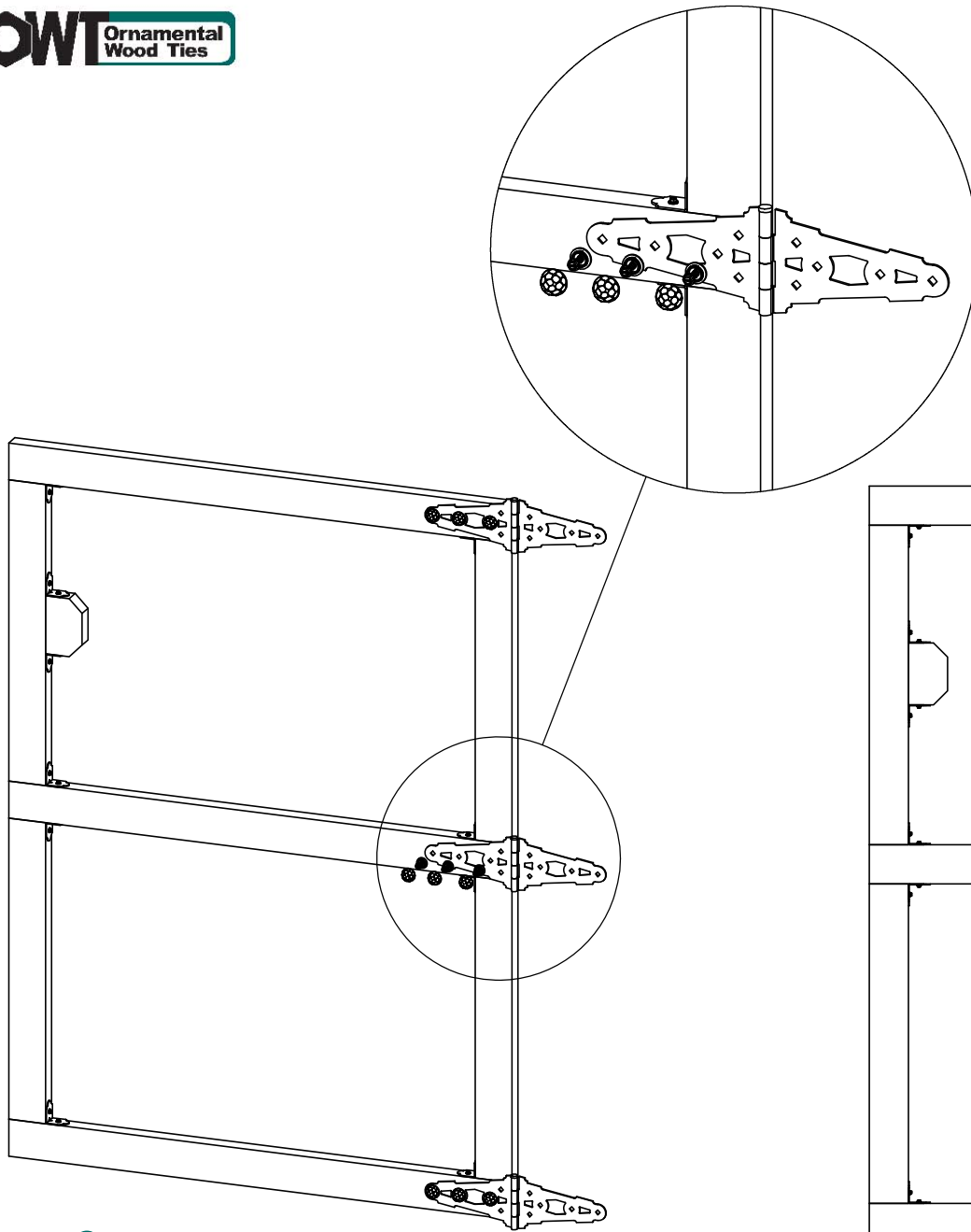
Cutlist-Trim

OZCO Project #410 - Gate with Dog Lookout



step 1

OZCO Project #410 - Gate with Dog Lookout



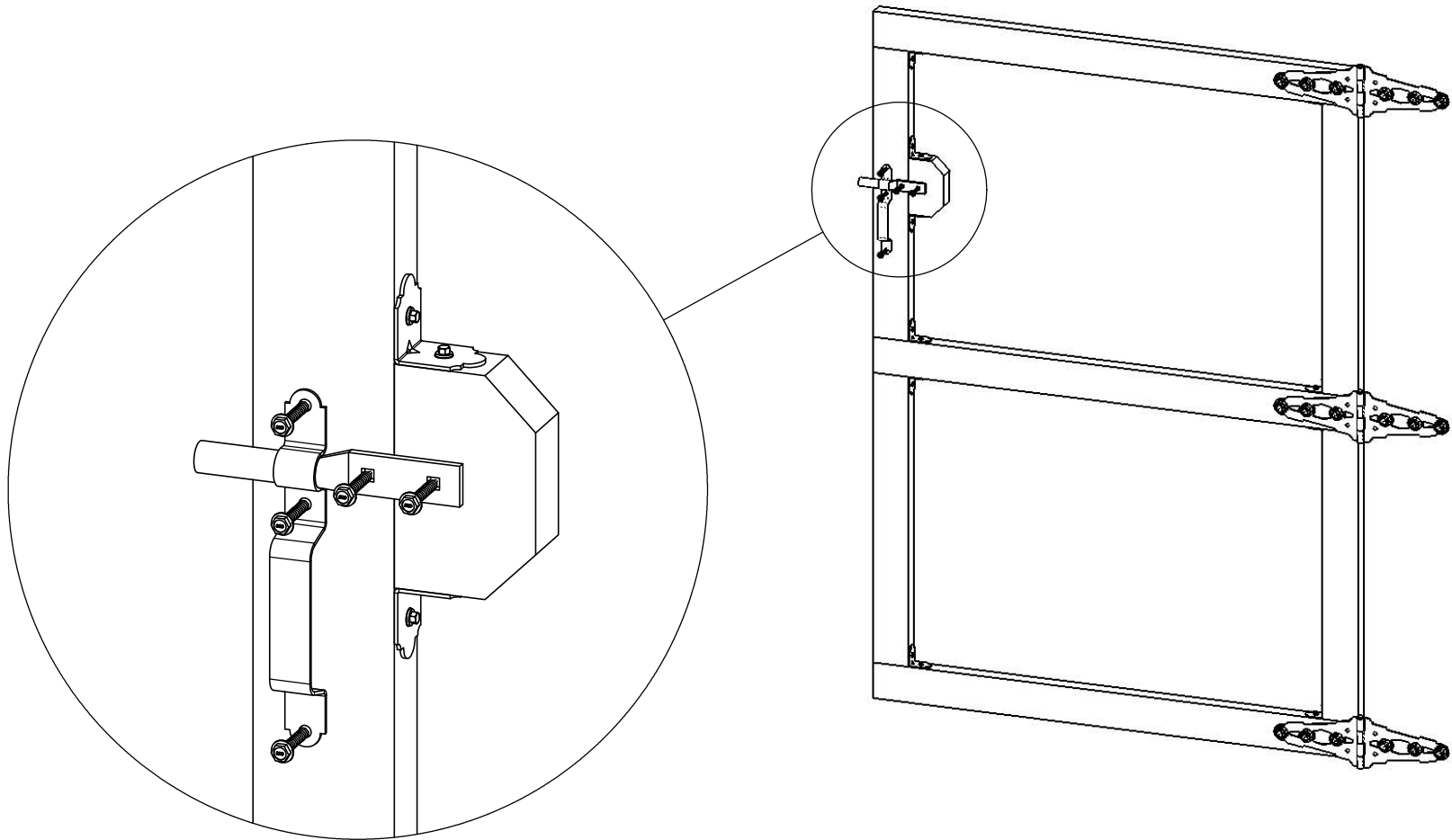
line up
hinge with
board edge

hinge edge

wood edge

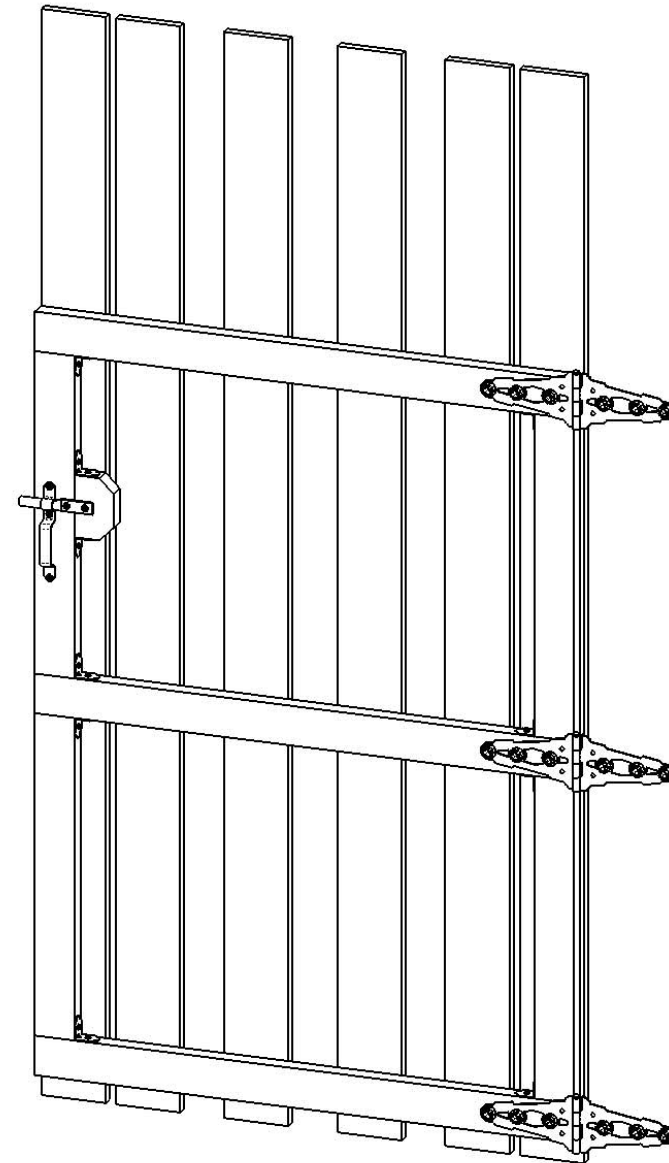
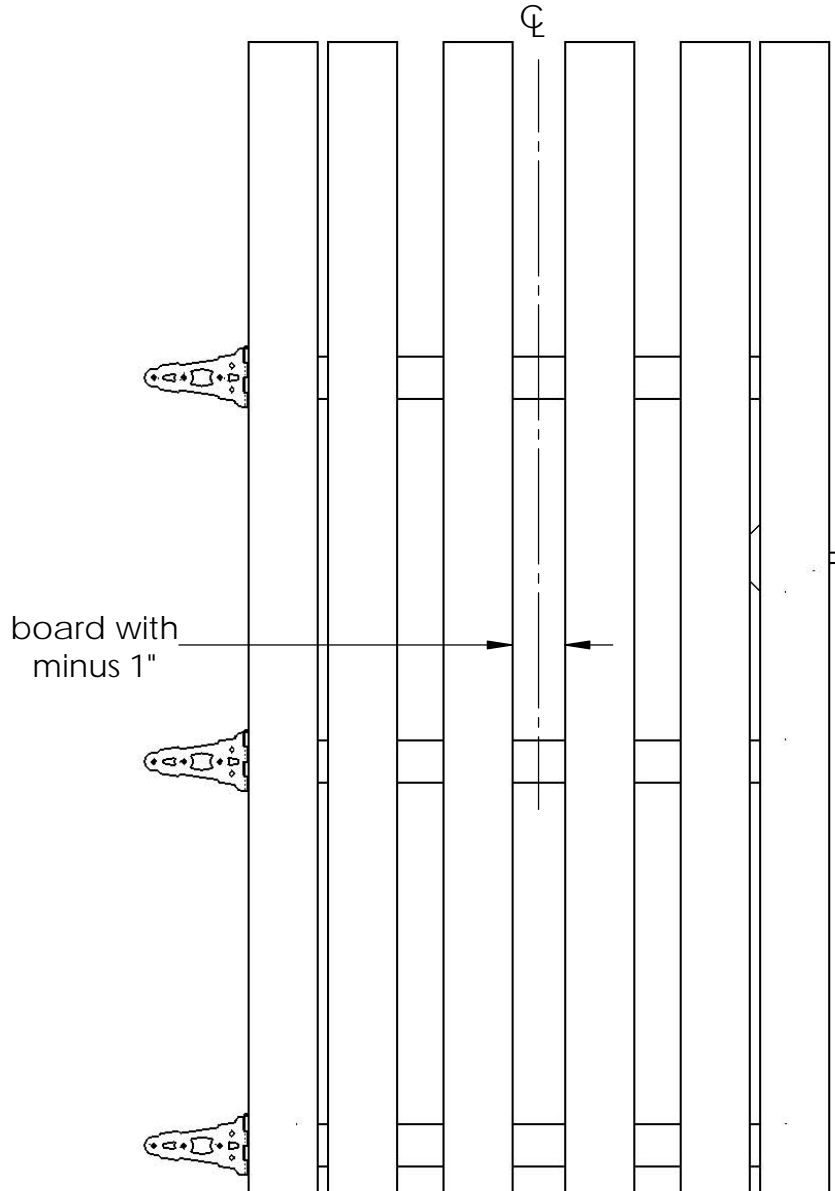
step 2

OZCO Project #410 - Gate with Dog Lookout



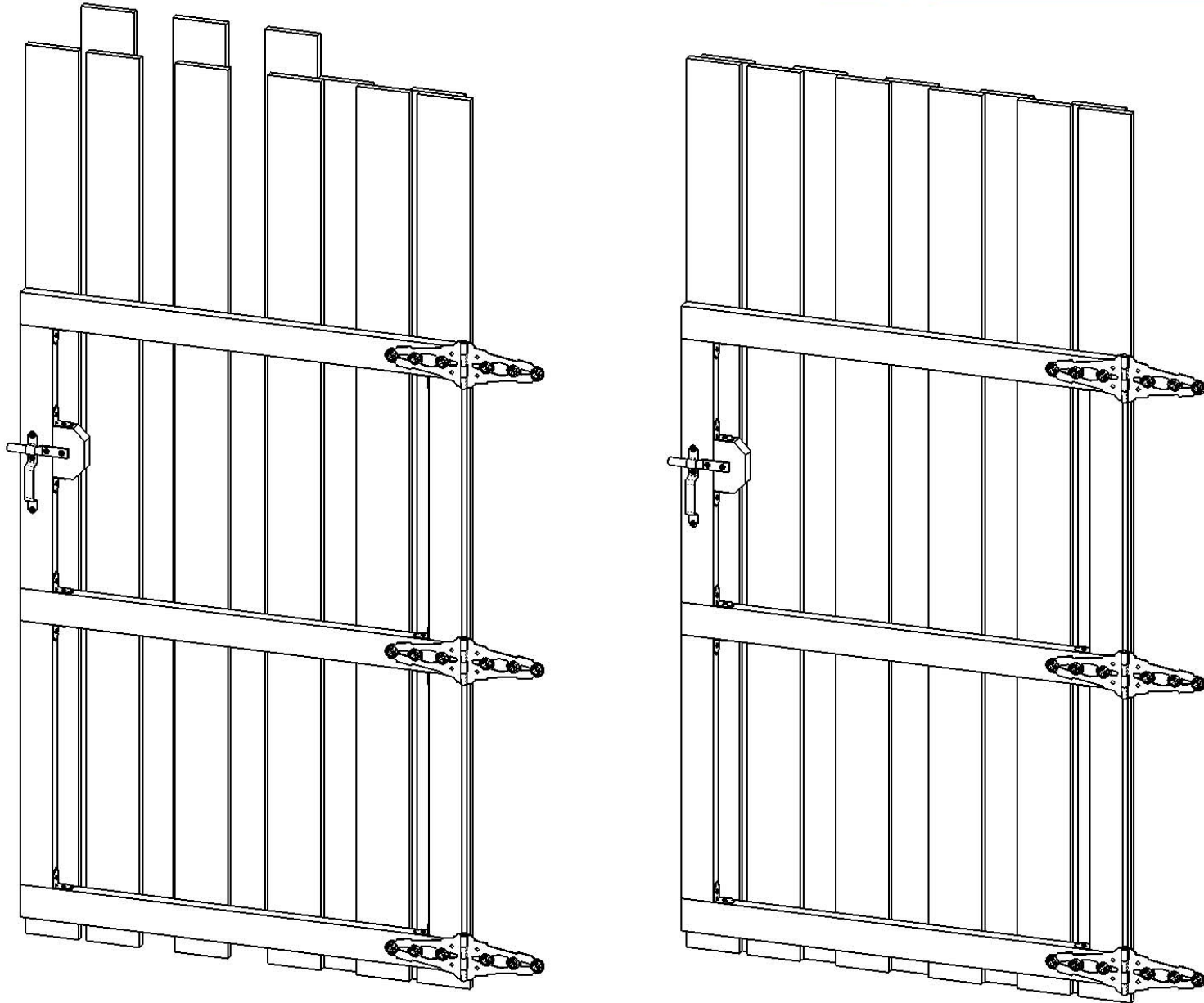
step 3

OZCO Project #410 - Gate with Dog Lookout



step 4

OZCO Project #410 - Gate with Dog Lookout

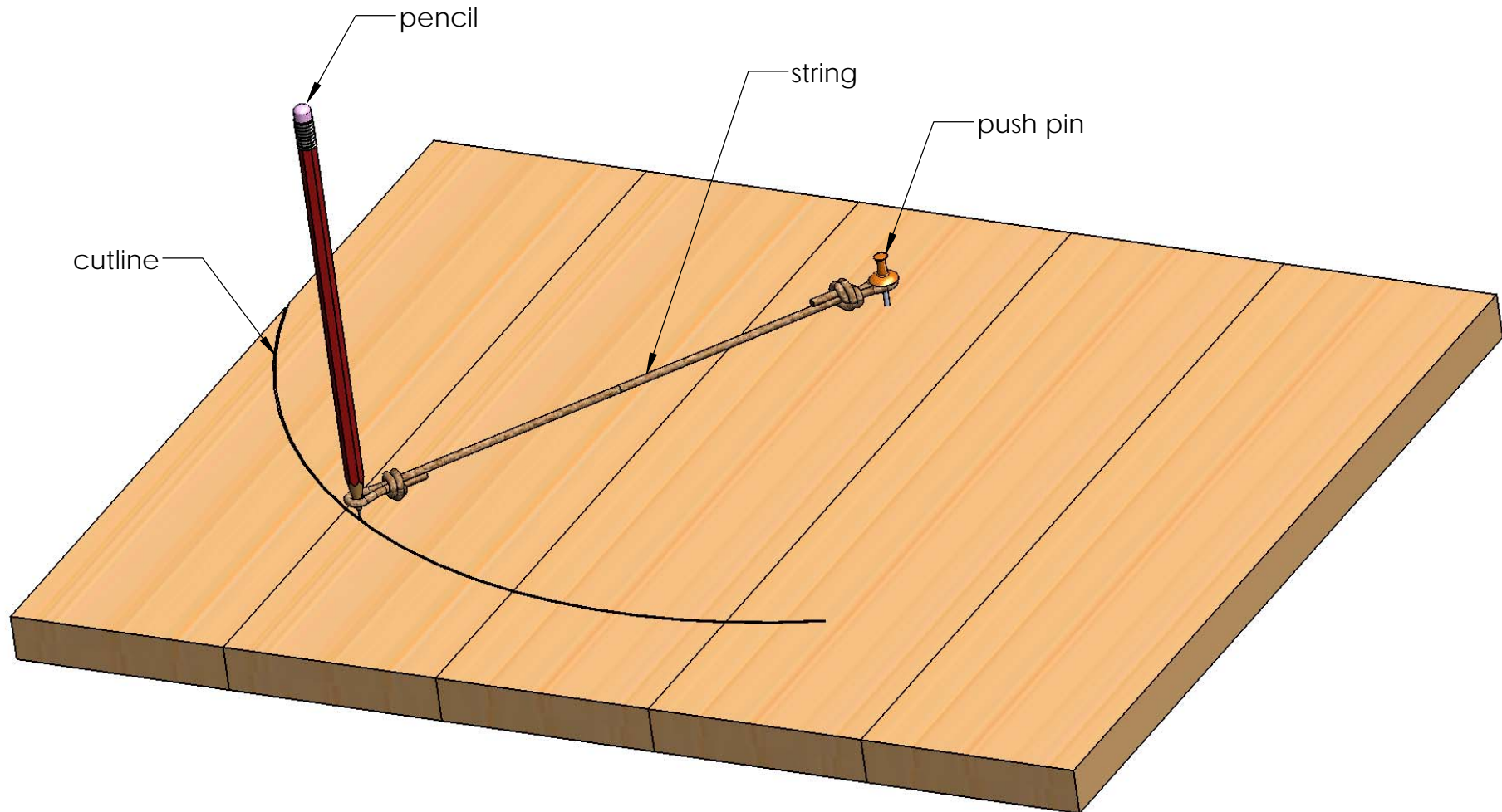


step 5

OZCO Project #410 - Gate with Dog Lookout

How To Draw an Arc Cutline:

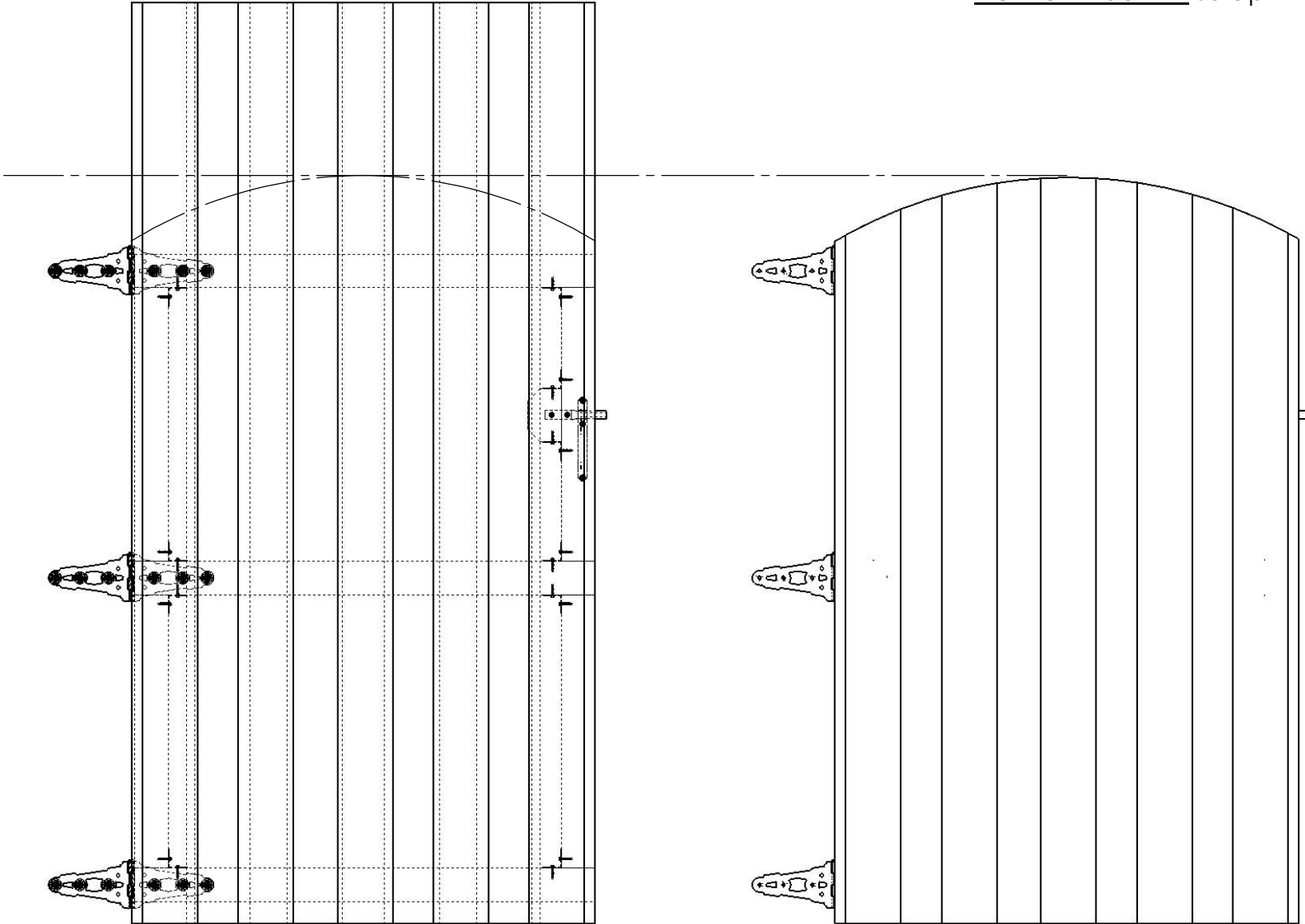
1. locate center of arc and mark with push pin
2. attach string to push pin and pencil as shown
3. mark cutline
4. cut with appropriate saw



How To Draw an Arc Cutline

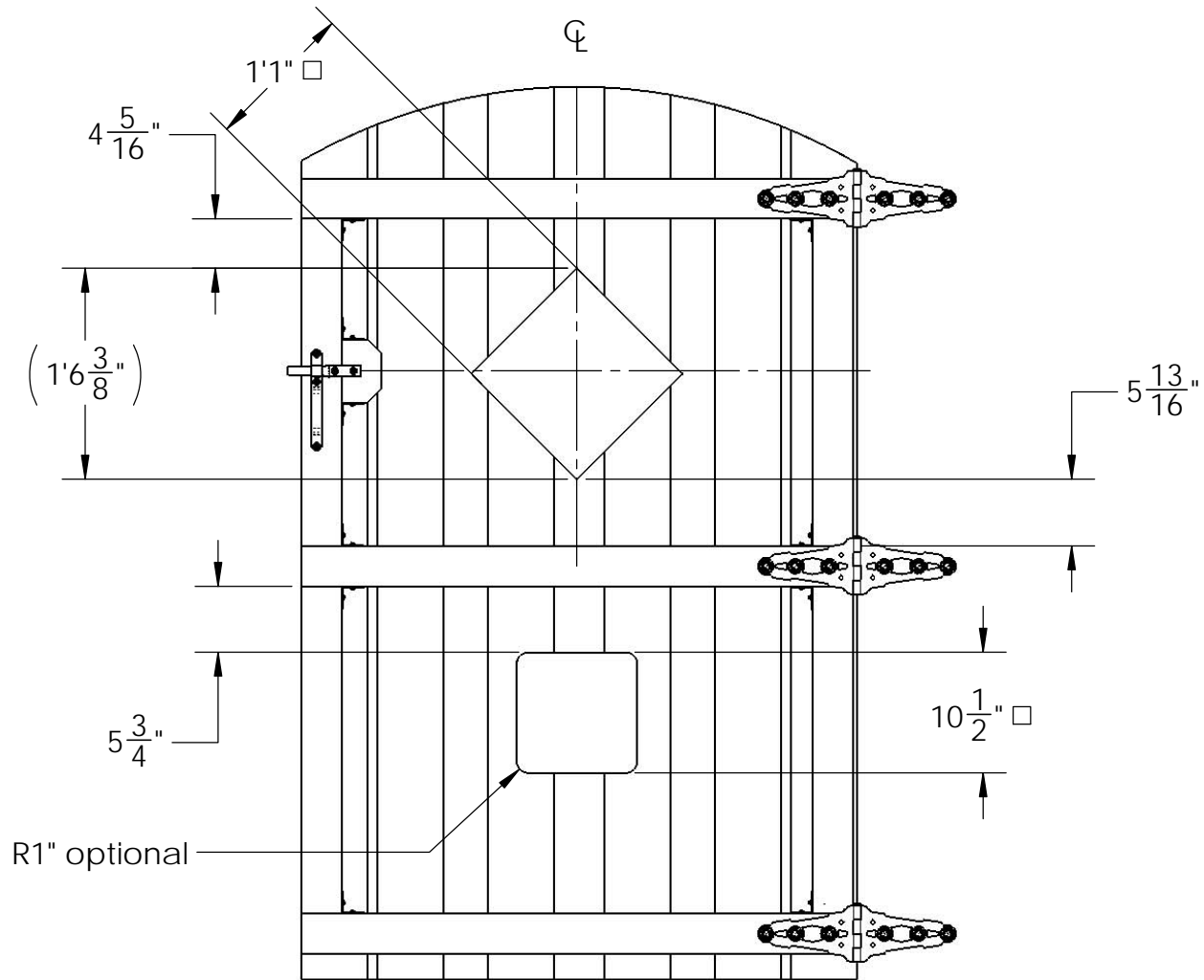
OZCO Project #410 - Gate with Dog Lookout

- tie string line to pencil
- pin end of string line to center mark
- draw cutting arc
- cut fence pickets along cutting arc
- **DO NOT DISCARD** scrap



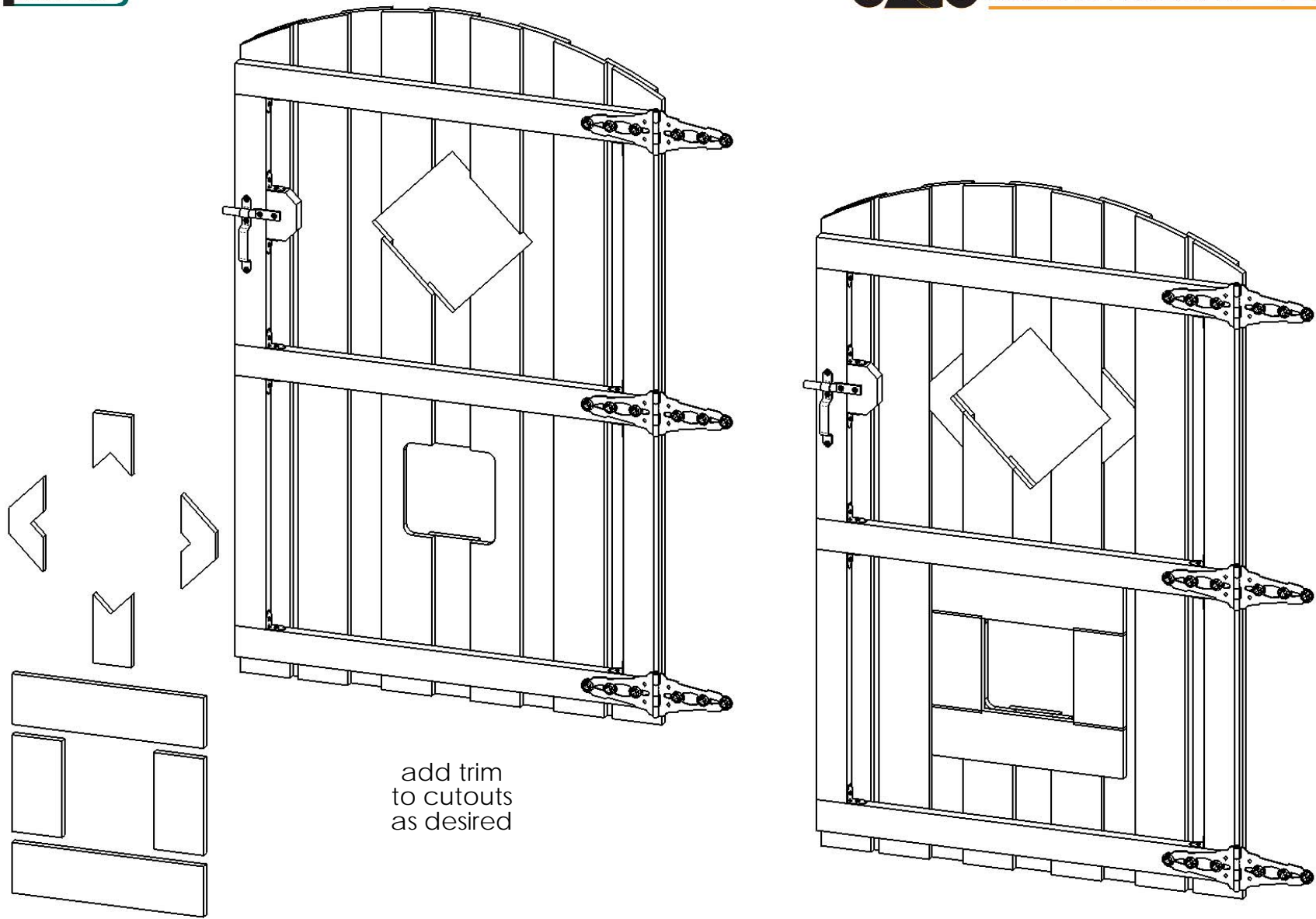
step 6

OZCO Project #410 - Gate with Dog Lookout



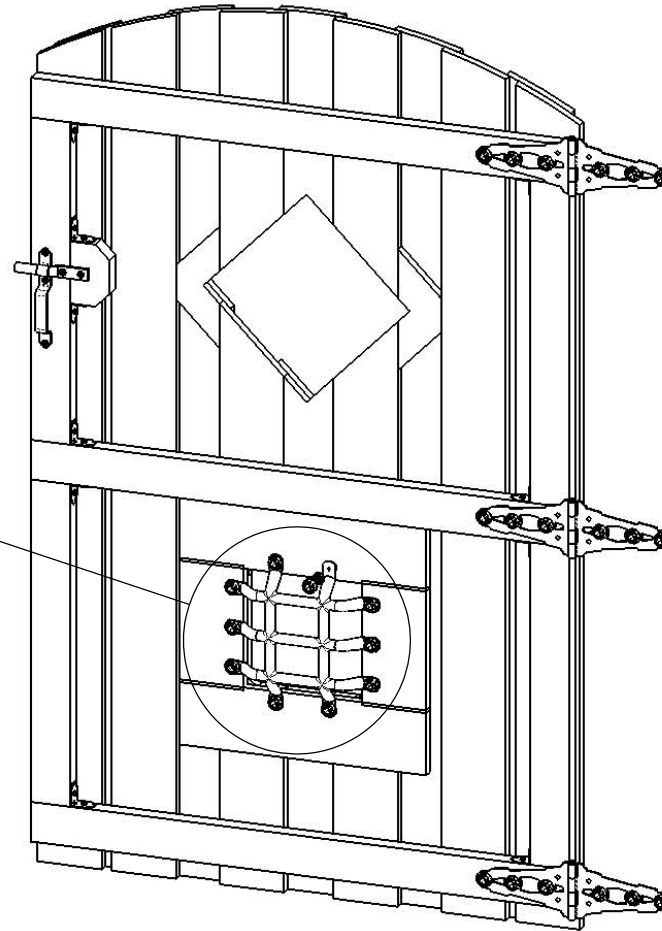
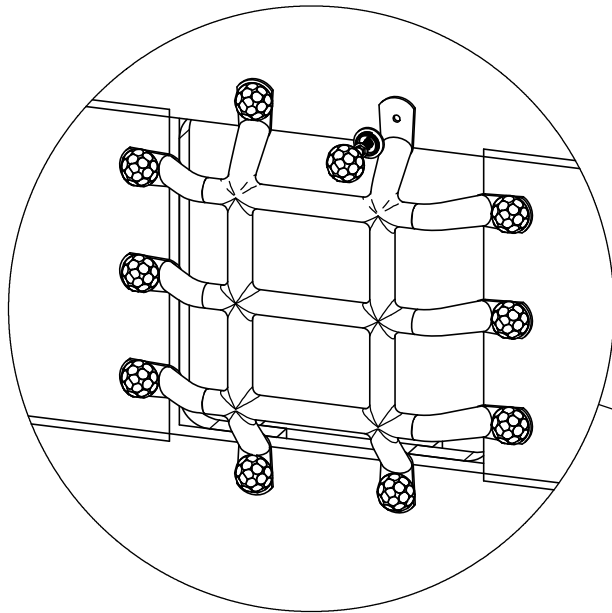
step 7

OZCO Project #410 - Gate with Dog Lookout



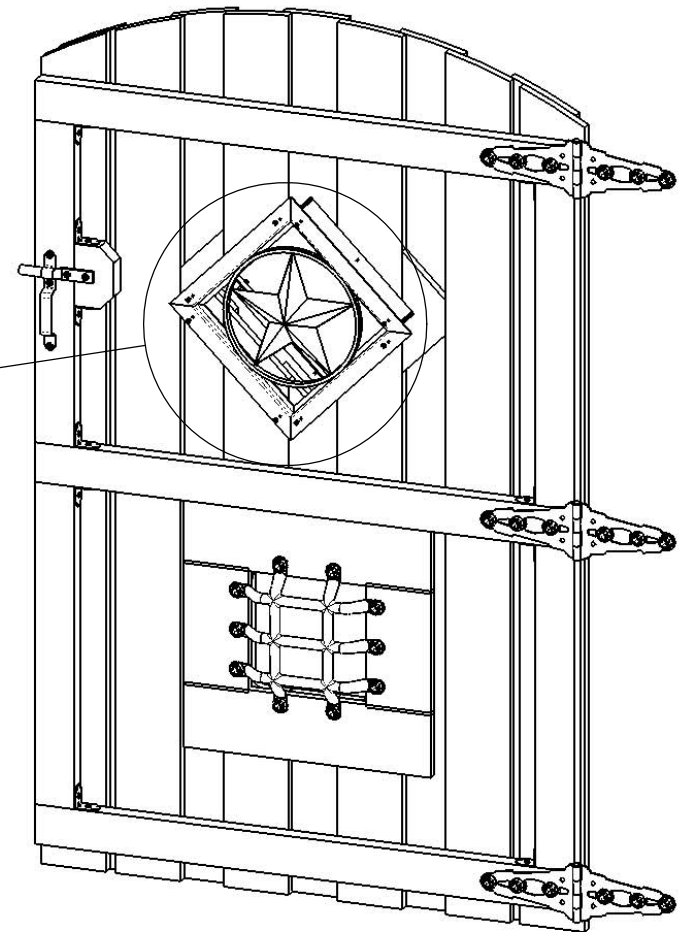
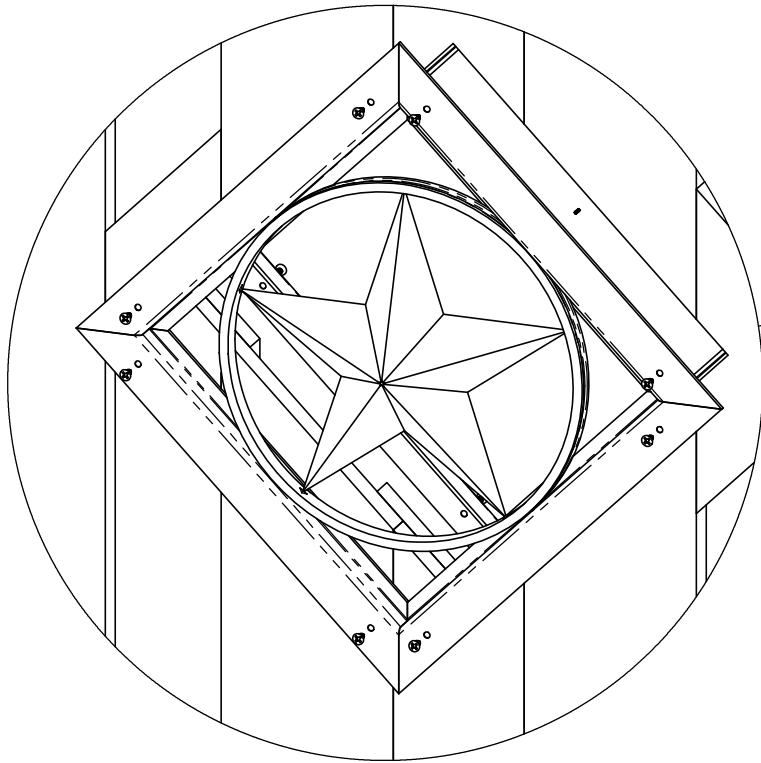
step 8

OZCO Project #410 - Gate with Dog Lookout



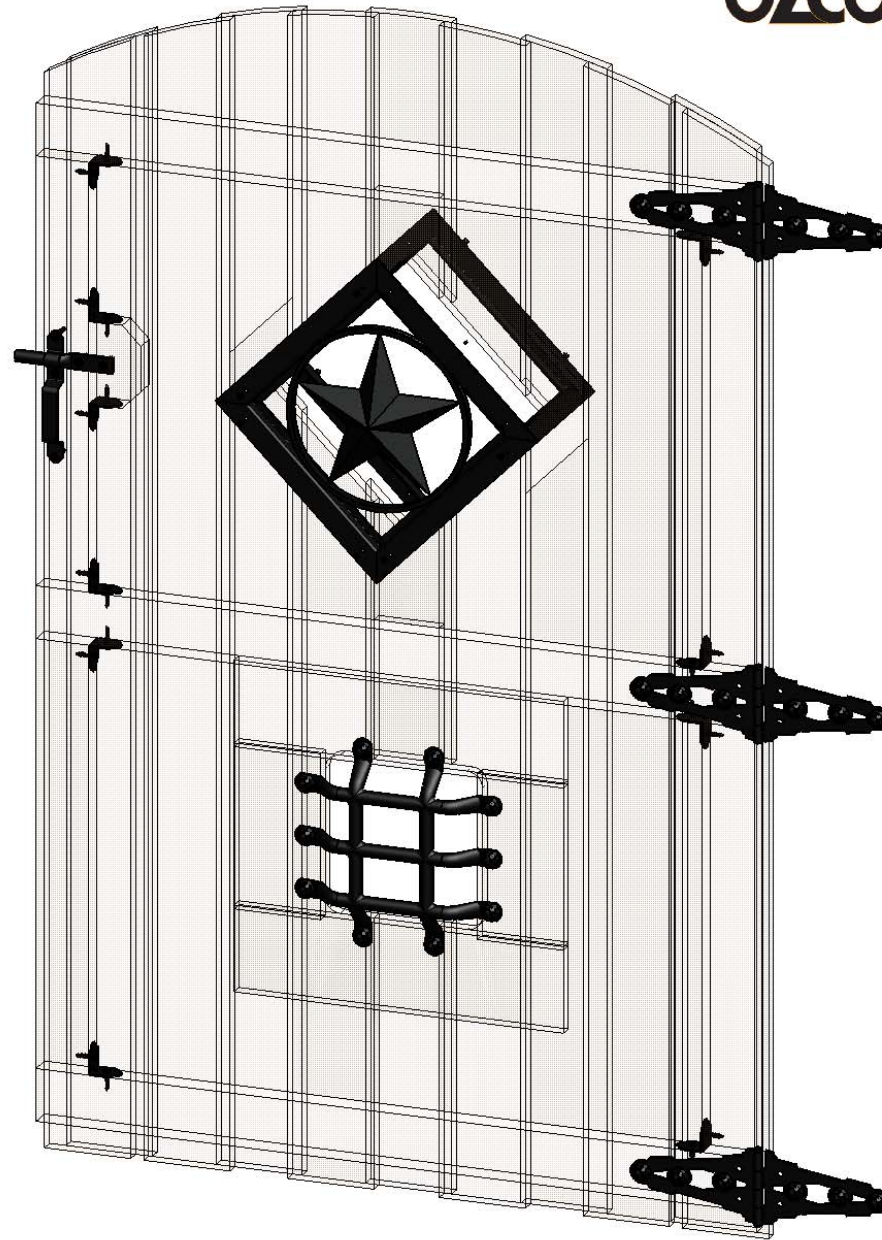
step 9

OZCO Project #410 - Gate with Dog Lookout



step 10

OZCO Project #410 - Gate with Dog Lookout



Translucent

OZCO Project #410 - Gate with Dog Lookout