

DESIGN

PURCHASE

CONSTRUCT

ENJOY

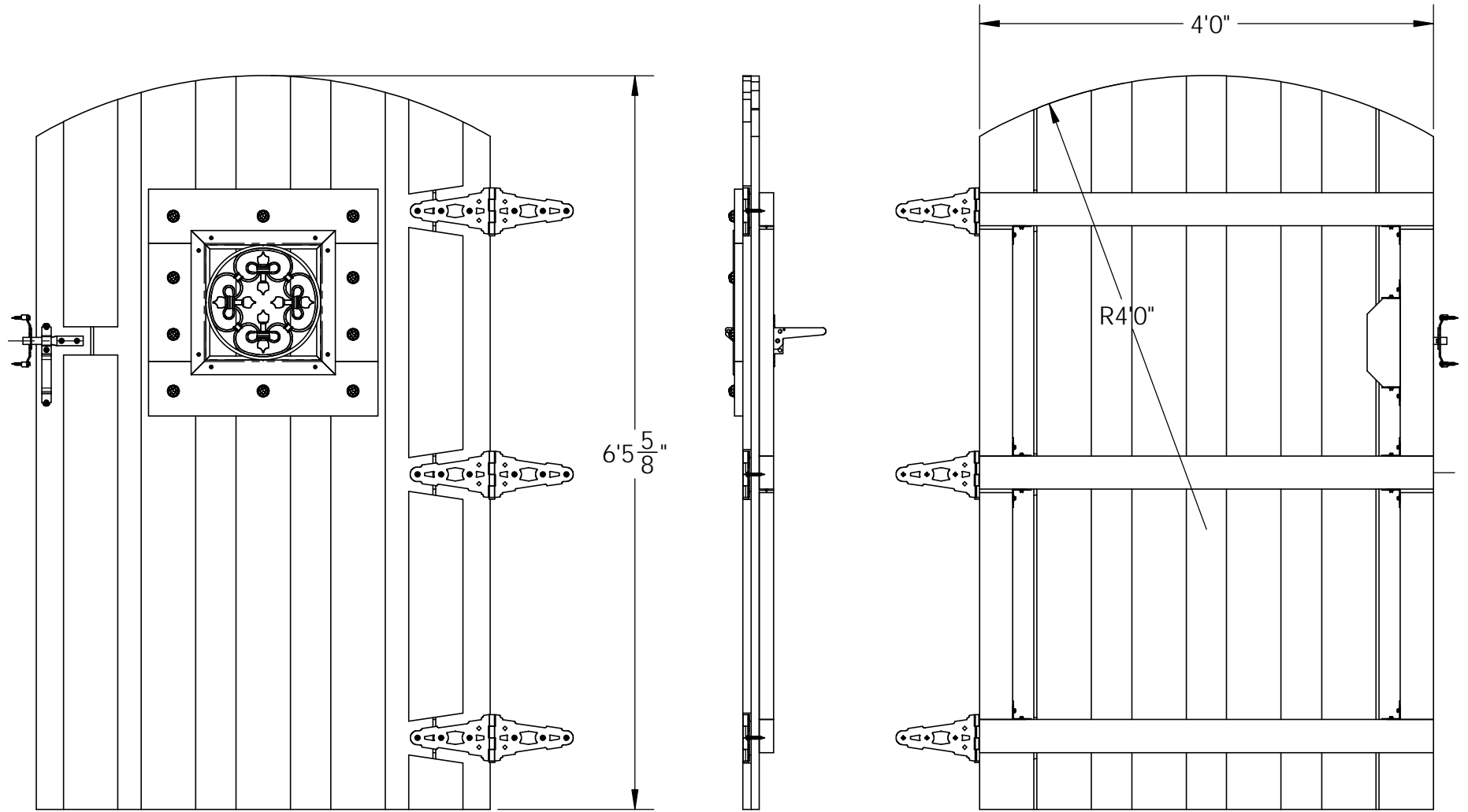
OZCO Project #412 - Cedar Board on Board Gate Ornamental



OZCO BUILDING PRODUCTS ■ ■ ■

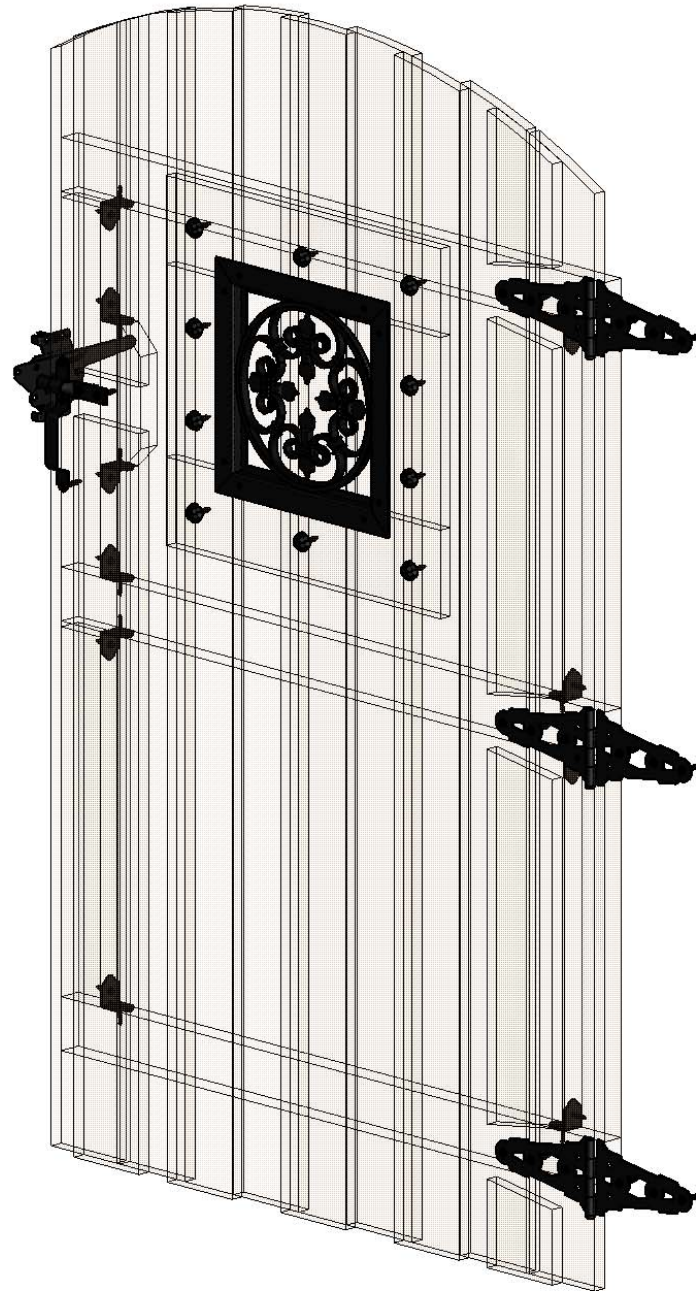
OZCO Project #412 - Cedar Board on Board Gate Ornamental

V2.00 - Installation Instructions, Specifications and Project Plans are effective 2/14/2017 . This information is updated periodically and should not be relied upon after 2 years from 2/14/2017 . Please visit OZCOBP.com to get current information. 1



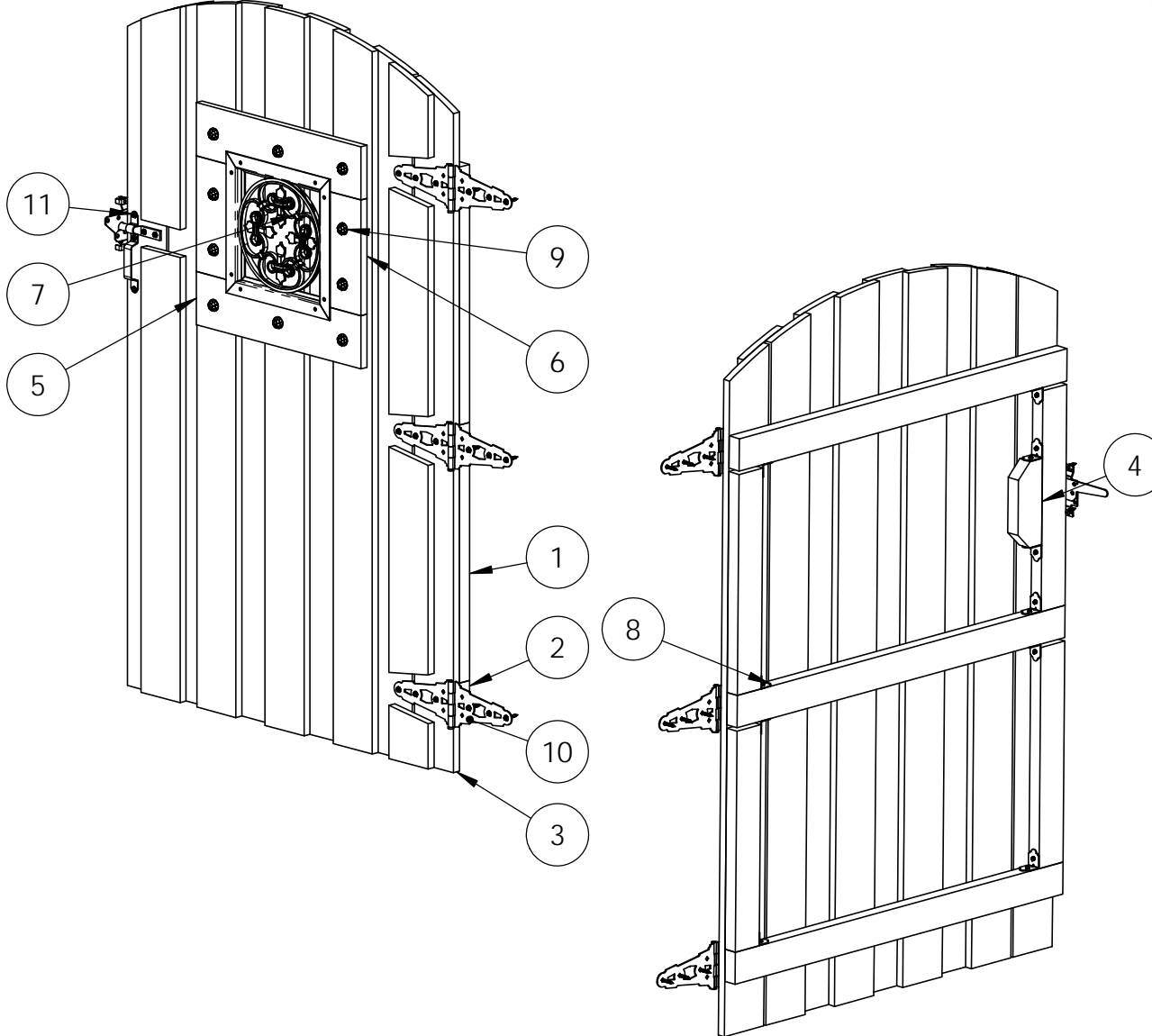
Overview

OZCO Project #412 - Cedar Board on Board Gate Ornamental



Overview

OZCO Project #412 - Cedar Board on Board
Gate Ornamental



ITEM NO.	QTY.	PART NUMBER	DESCRIPTION
1	4	2x4 Cedar Board	2x4x2'0"
2	3	2x4 Cedar Board	2x4x4'0"
3	11	1x6 Cedar Board	1x6x8'0"
4	1	2x4 Cedar Board	2x4x9 3/8"
5	2	1x6 Cedar Board	1x6x2' 1/4"
6	2	1x6 Cedar Board	1x6x1' 1/2"
7	1	56658	Assembly, 15-1/4" x 15-1/4" Scroll Accent
8	1	56617	2" Standard Rafter Clip (RC-LS-2)
9	1	56622	1-1/4" Hammered Dome Cap Nut
	1	56625	OWT Timber Screw 1-3/4"
10	1	56654	Strap Hinge Kit (S-HINGE)
11	1	56656	Standard Latch Kit (S-LATCH)

Bill of Materials

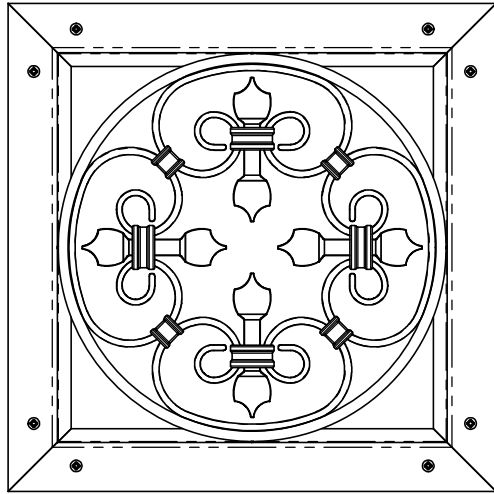
OZCO Project #412 - Cedar Board on Board Gate Ornamental

QTY.	PART NUMBER	DESCRIPTION
1	56656	Standard Latch Kit (S-LATCH)
1	56658	Assembly, 15-1/4" x 15-1/4" Scroll Accent
1	56617	2" Standard Rafter Clip (RC-LS-2)
10	56622	1-1/4" Hammered Dome Cap Nut
1	56625	OWT Timber Screw 1-3/4"
1	56654	Strap Hinge Kit (S-HINGE)
1	2x4x8L	2x4x8
2	2x4x8L	2x4x8
12	1x6x8L	1x6x8

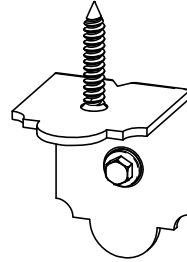
Bill of Materials

OZCO Project #412 - Cedar Board on Board Gate Ornamental

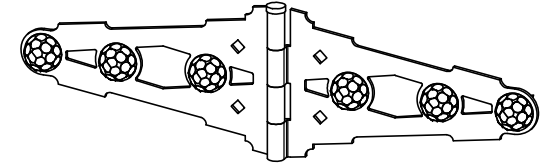
V2.00 - Installation Instructions, Specifications and Project Plans are effective 3/13/2018 . This information is updated periodically and should not be relied upon after 2 years from 3/13/2018 . Please visit OZCOBP.com to get current information.



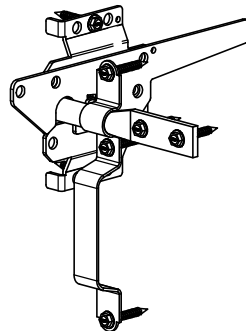
56658



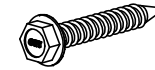
56617



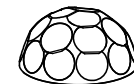
56653



56656



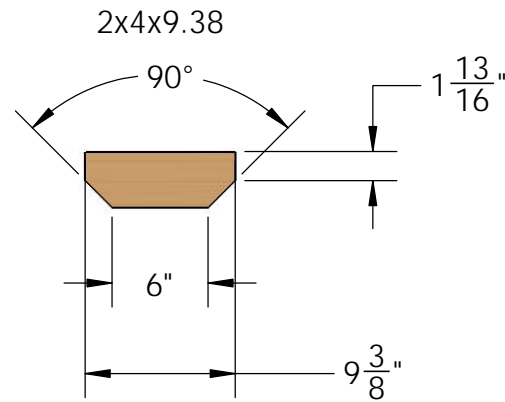
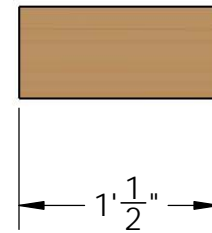
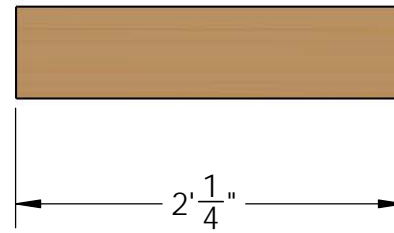
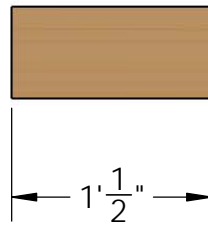
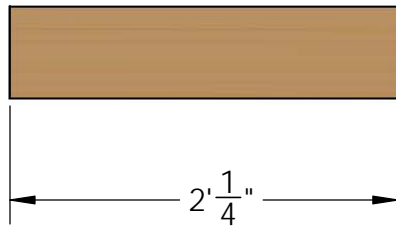
56625



56622

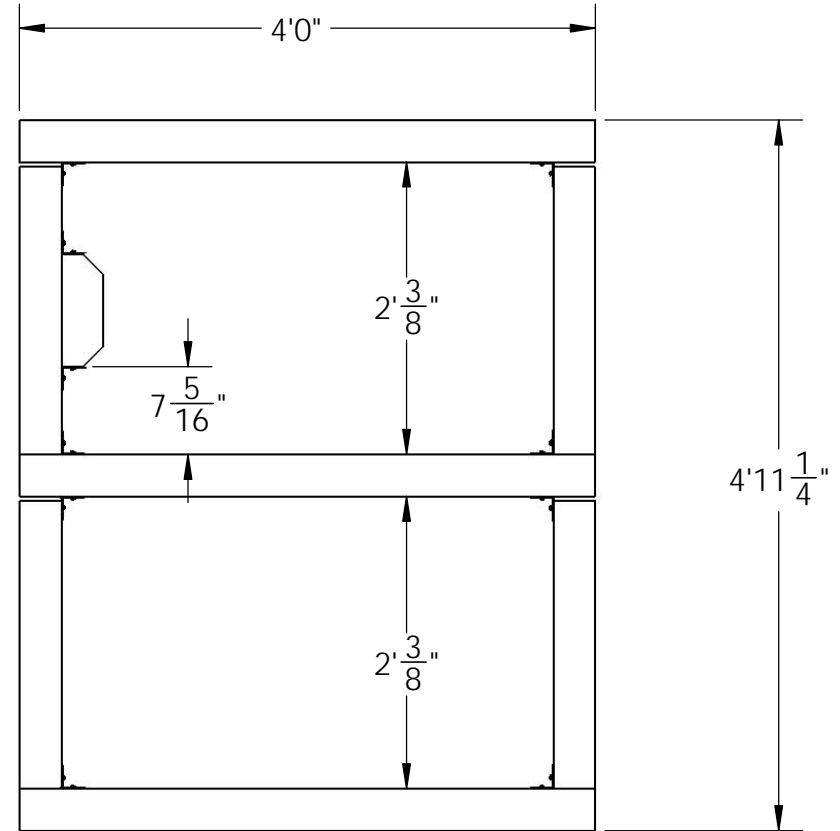
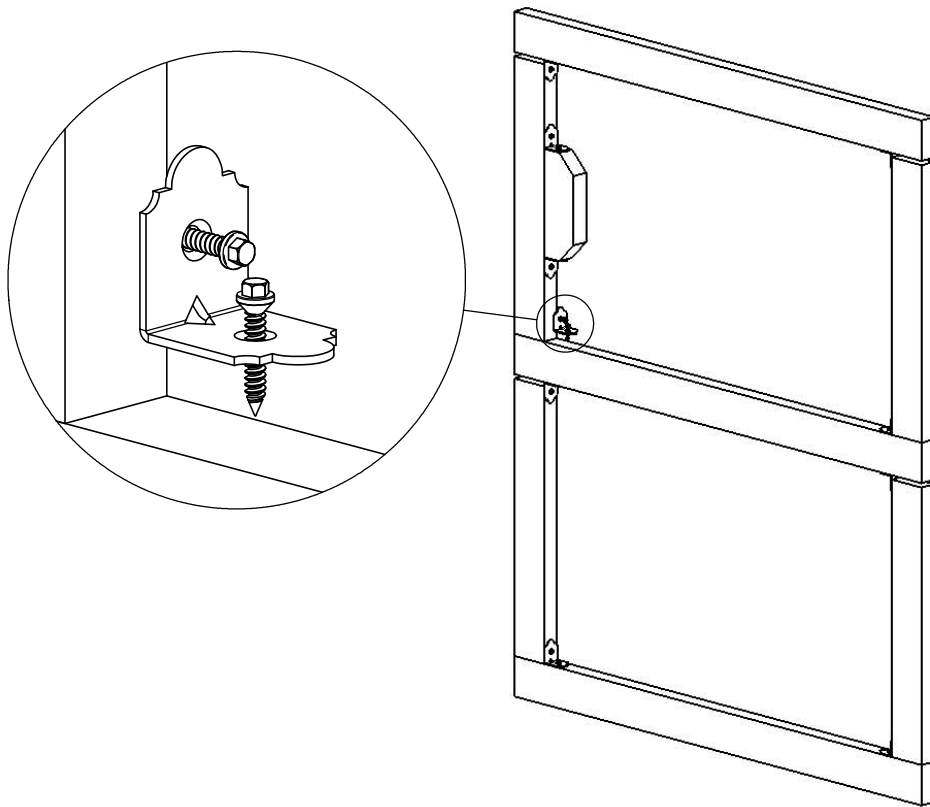


Shadow Box Trim



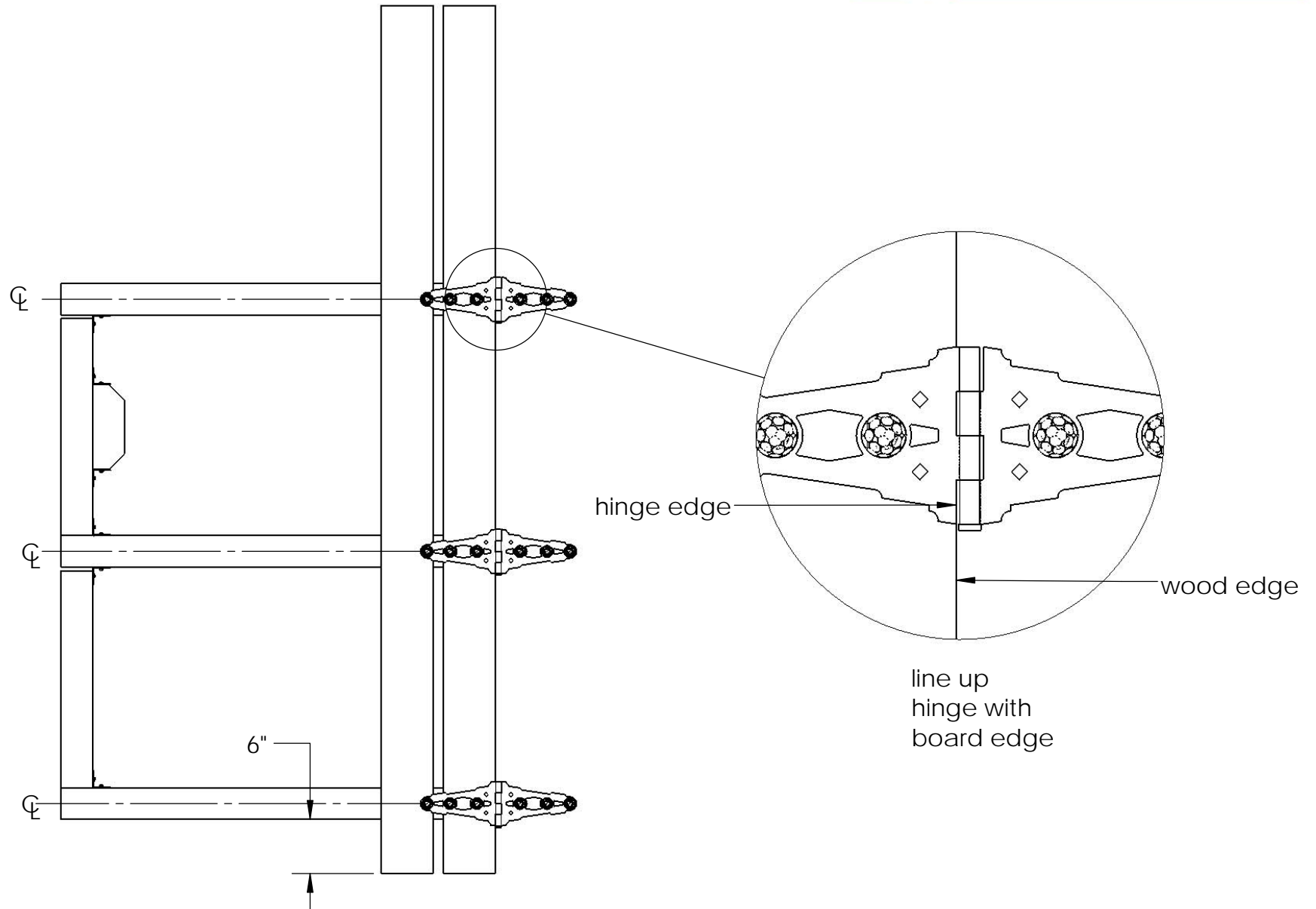
Cutlist

OZCO Project #412 - Cedar Board on Board Gate Ornamental



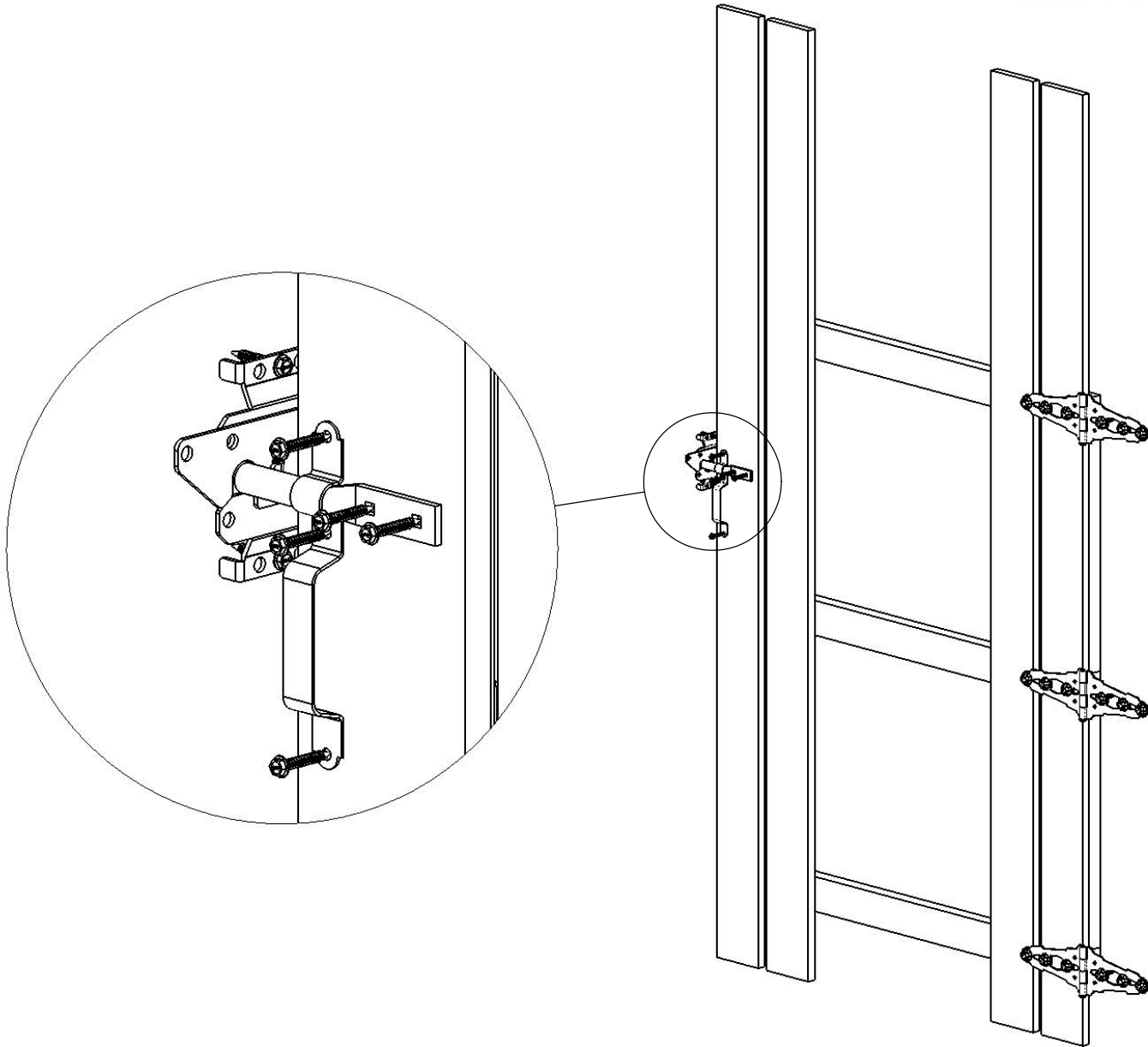
step 1

OZCO Project #412 - Cedar Board on Board
Gate Ornamental



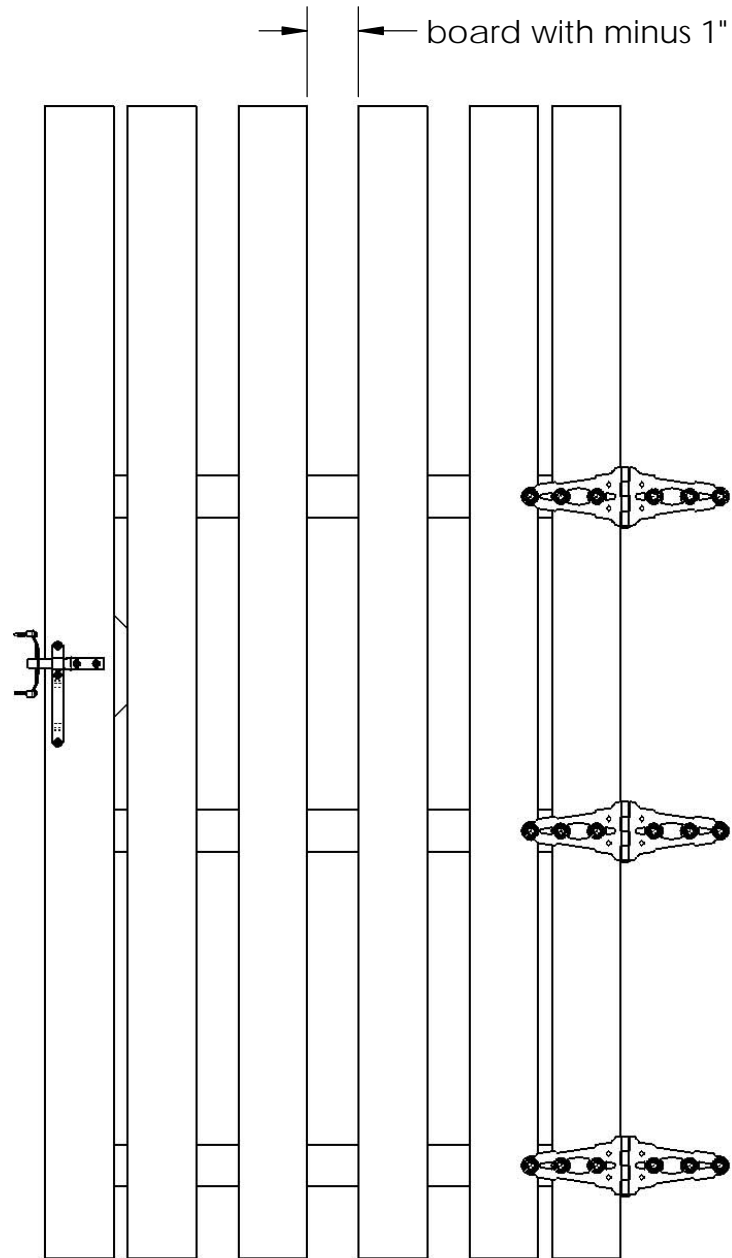
step 2

OZCO Project #412 - Cedar Board on Board
Gate Ornamental



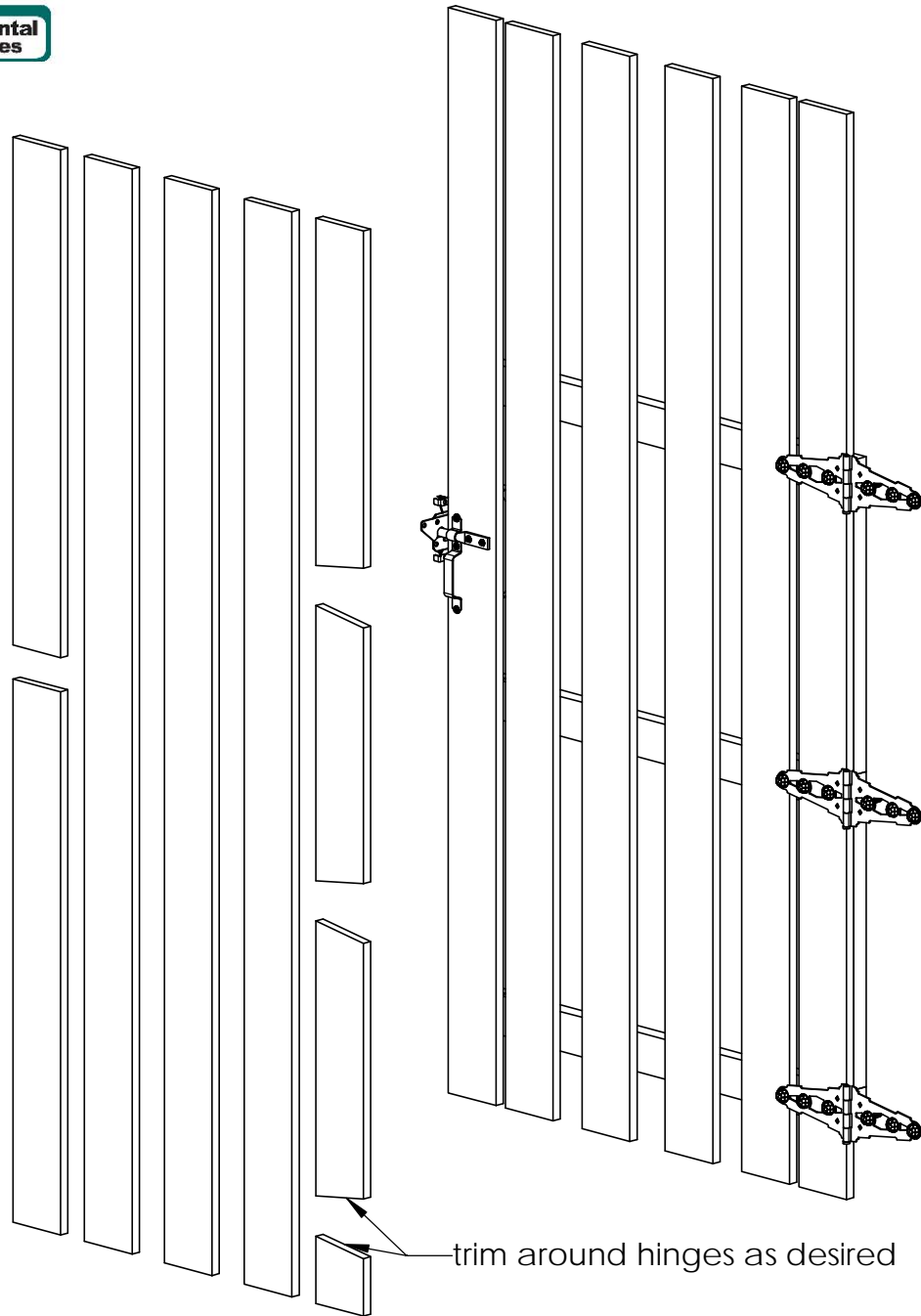
step 3

**OZCO Project #412 - Cedar Board on Board
Gate Ornamental**



step 4

OZCO Project #412 - Cedar Board on Board
Gate Ornamental

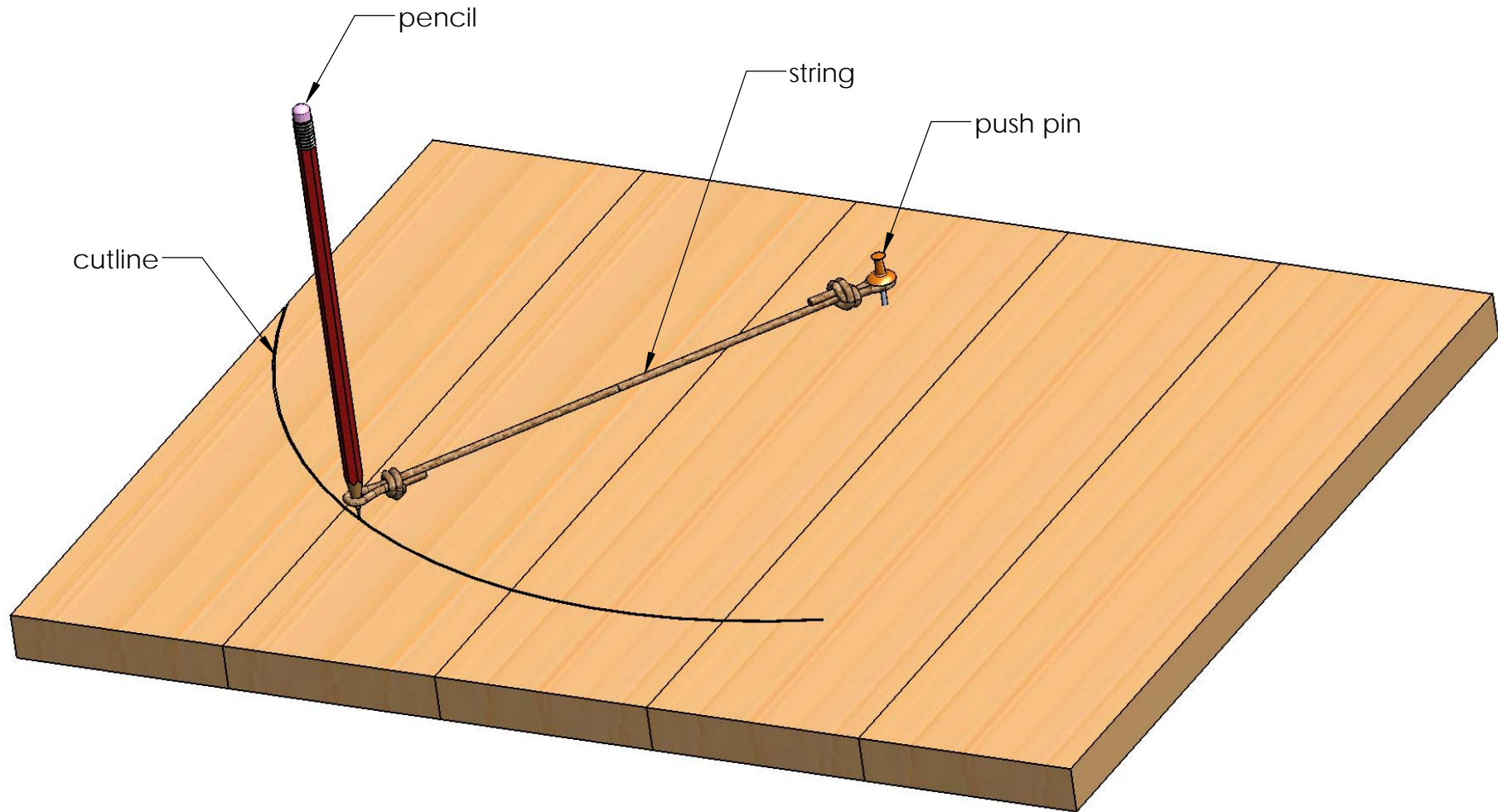


step 5

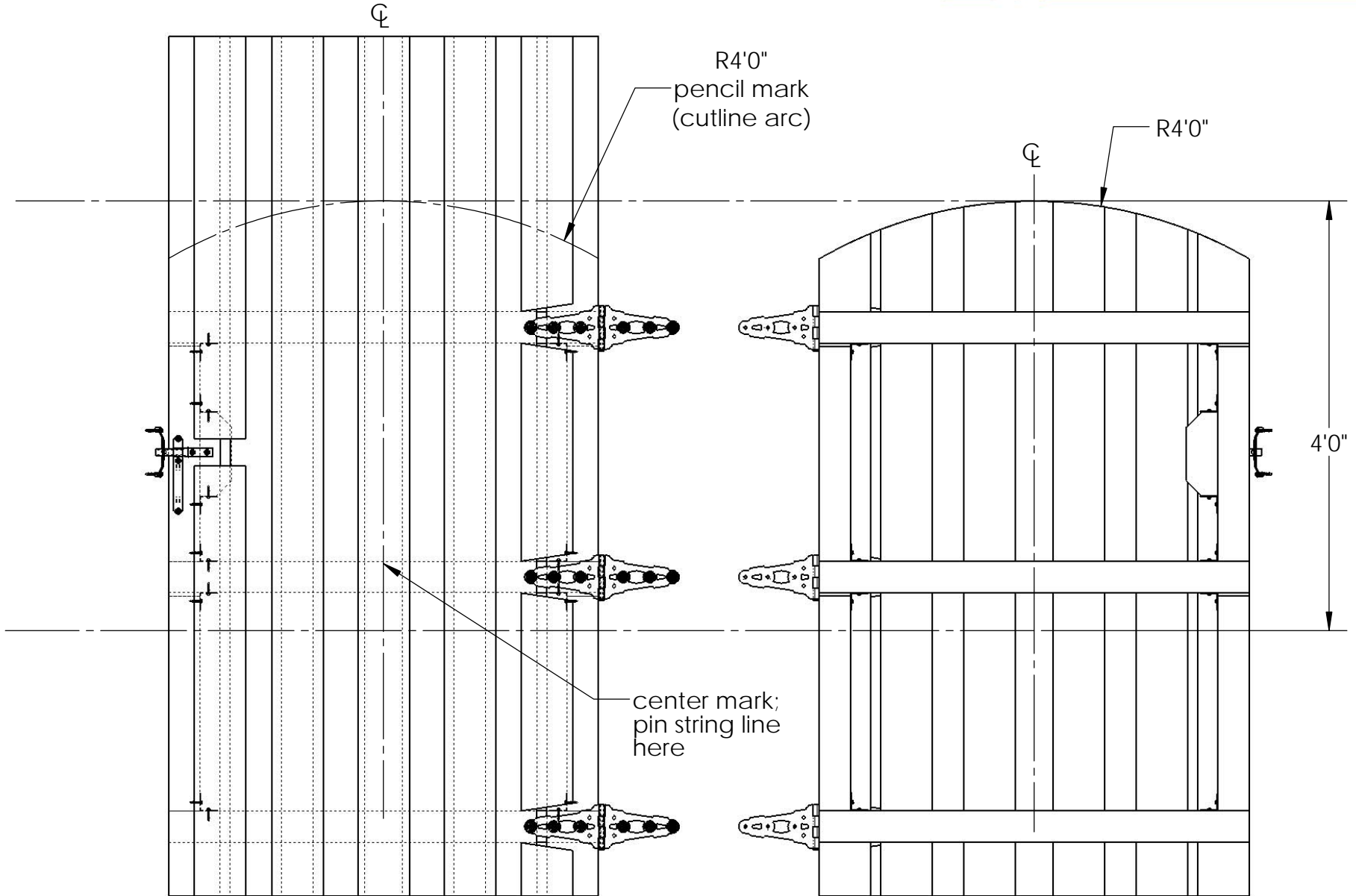
**OZCO Project #412 - Cedar Board on Board
Gate Ornamental**

How To Draw an Arc Cutline:

1. locate center of arc and mark with push pin
2. attach string to push pin and pencil as shown
3. mark cutline
4. cut with appropriate saw



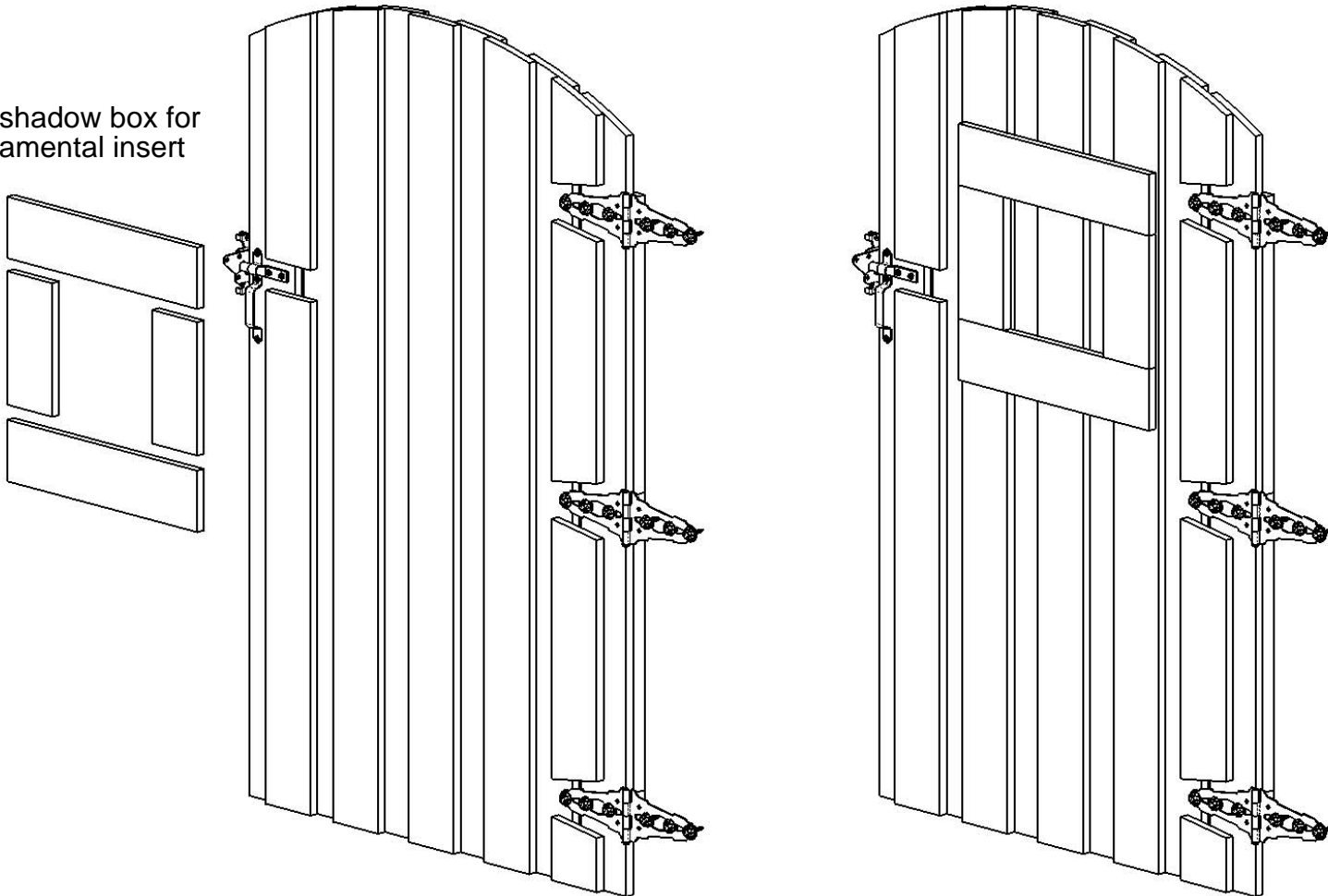
How To Draw an Arc Cutline



step 5

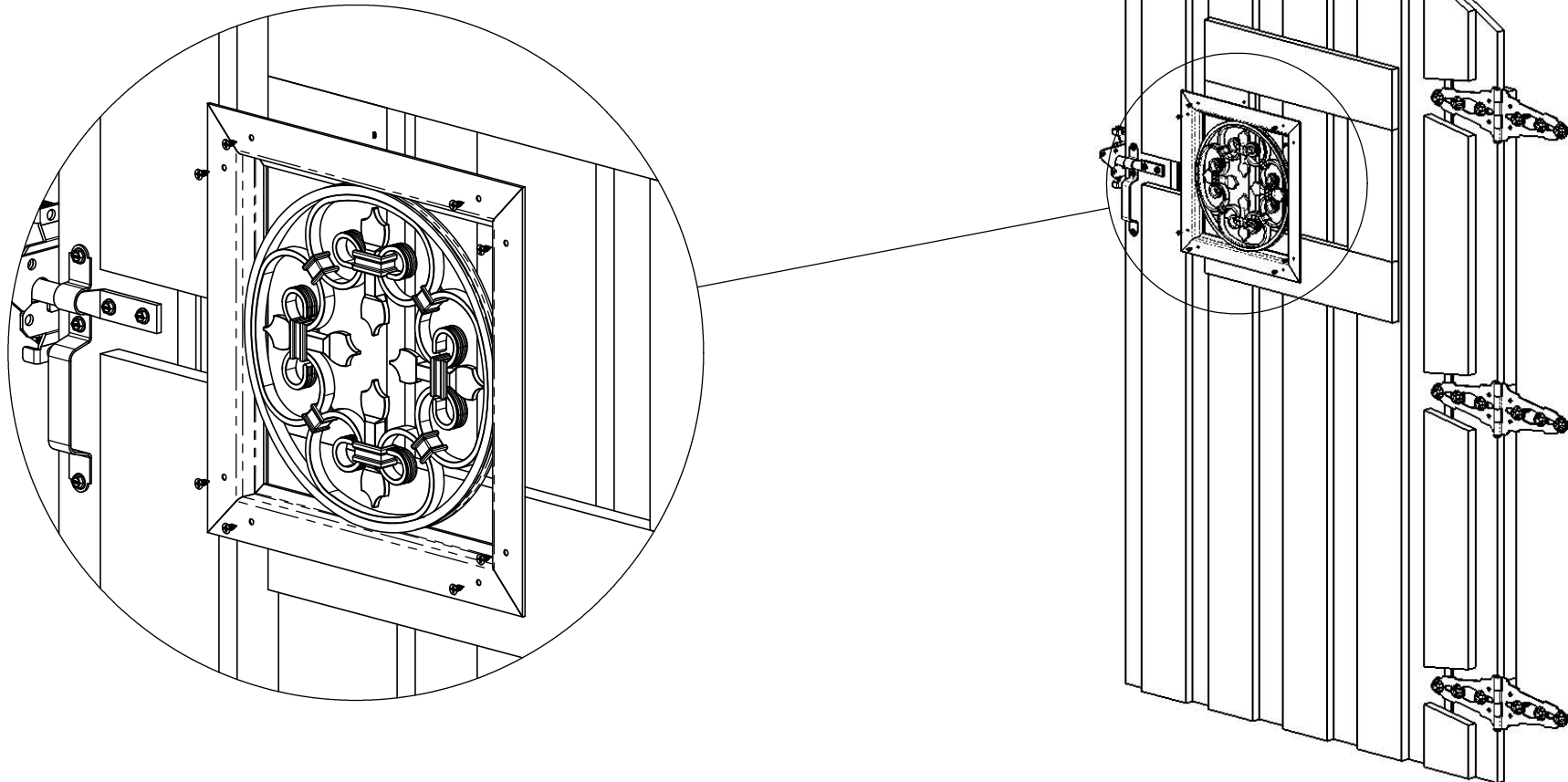
OZCO Project #412 - Cedar Board on Board Gate Ornamental

add shadow box for
ornamental insert



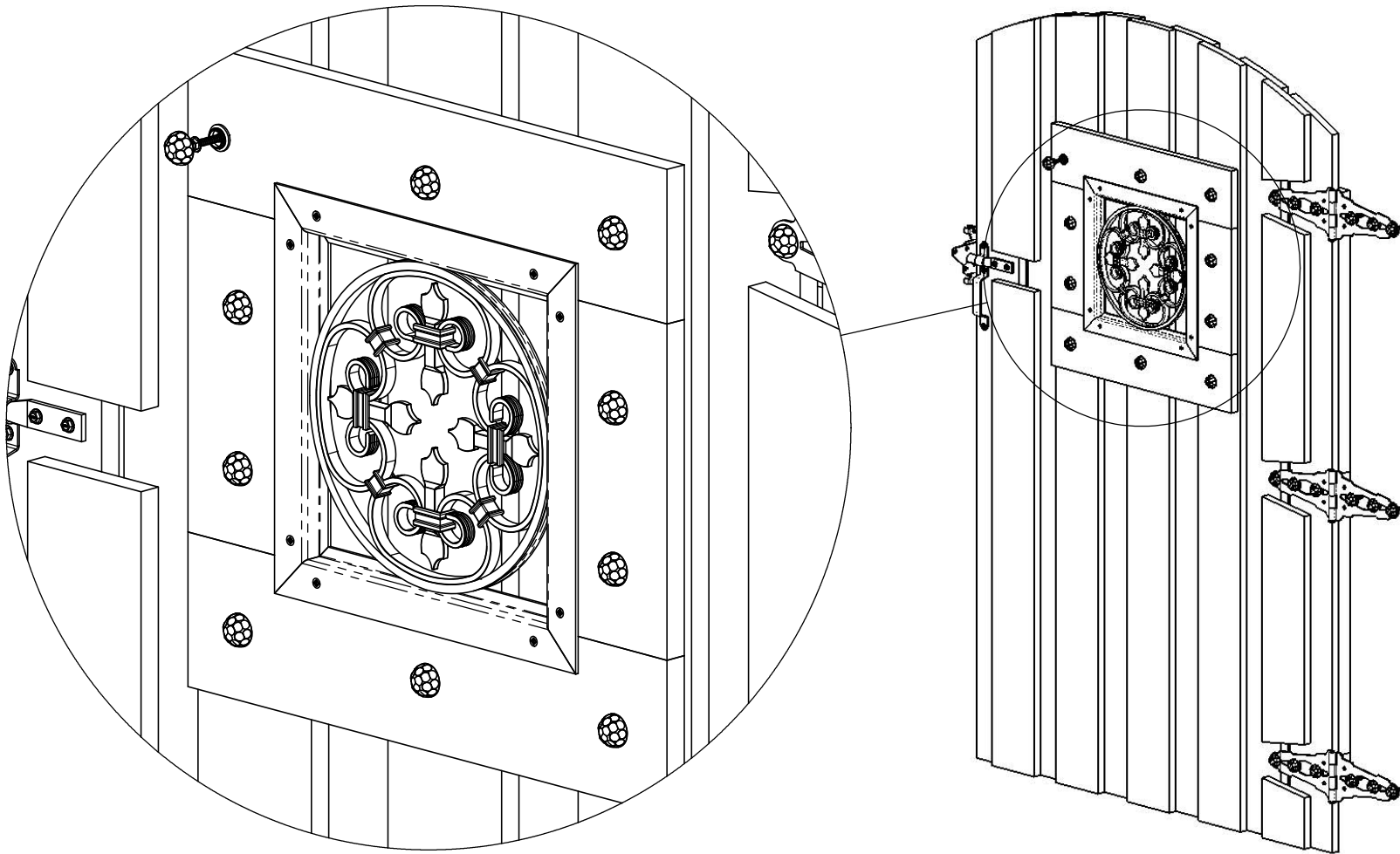
step 7

**OZCO Project #412 - Cedar Board on Board
Gate Ornamental**



step 8

OZCO Project #412 - Cedar Board on Board
Gate Ornamental



step 9

**OZCO Project #412 - Cedar Board on Board
Gate Ornamental**