

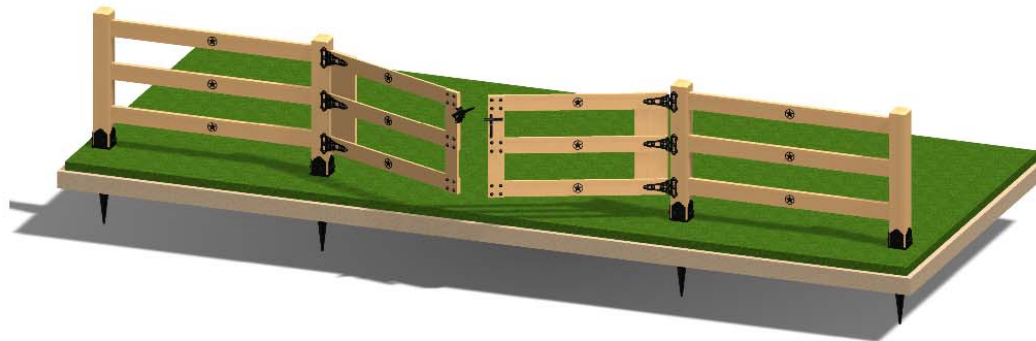
DESIGN

PURCHASE

CONSTRUCT

ENJOY

OZCO Project #418 - Ranch Style Fence

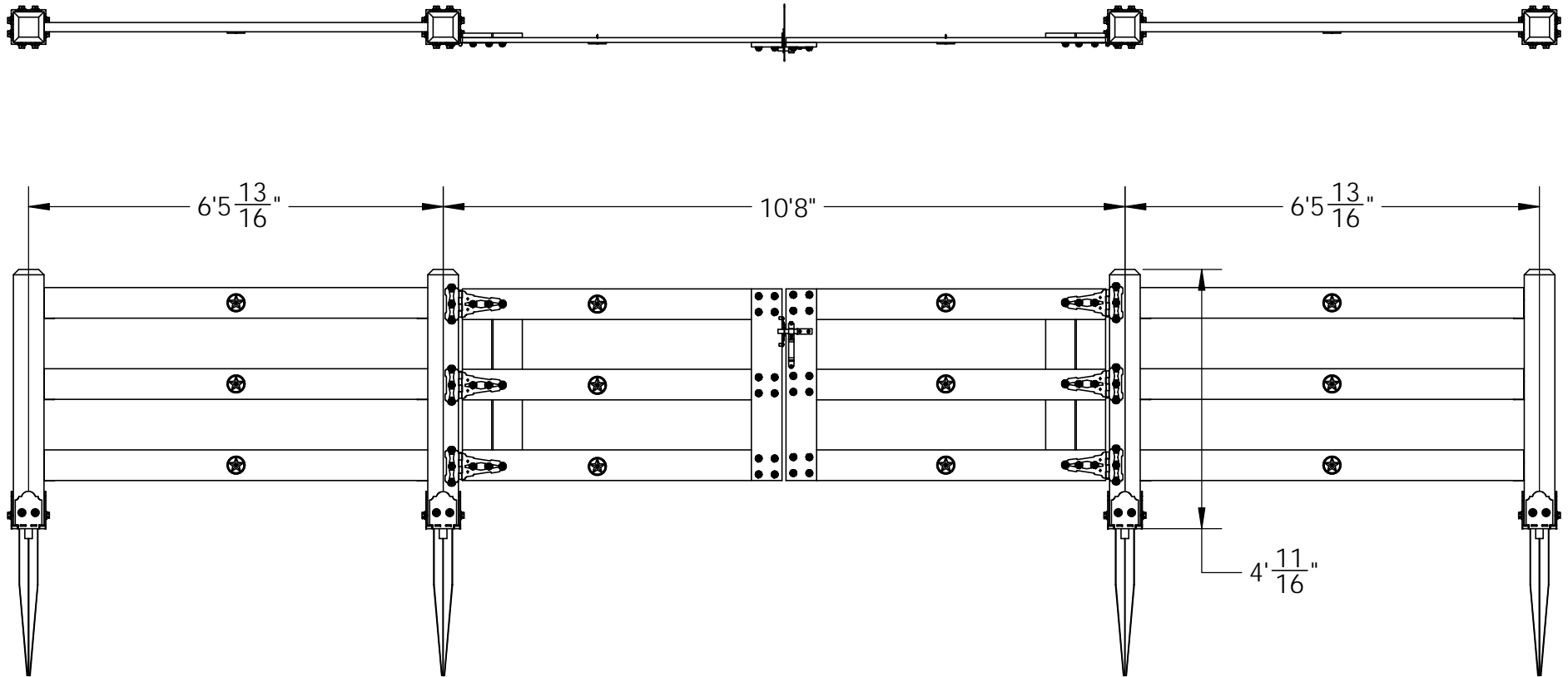


OZ-POST
instant post holes

OZCO BUILDING PRODUCTS

OZCO Project #418 - Ranch Style Fence

V2.00 - Installation Instructions, Specifications and Project Plans are effective 2/13/2017 . This information is updated periodically and should not be relied upon after 2 years from 2/13/2017 . Please visit OZCOBP.com to get current information.



Overview-Fence

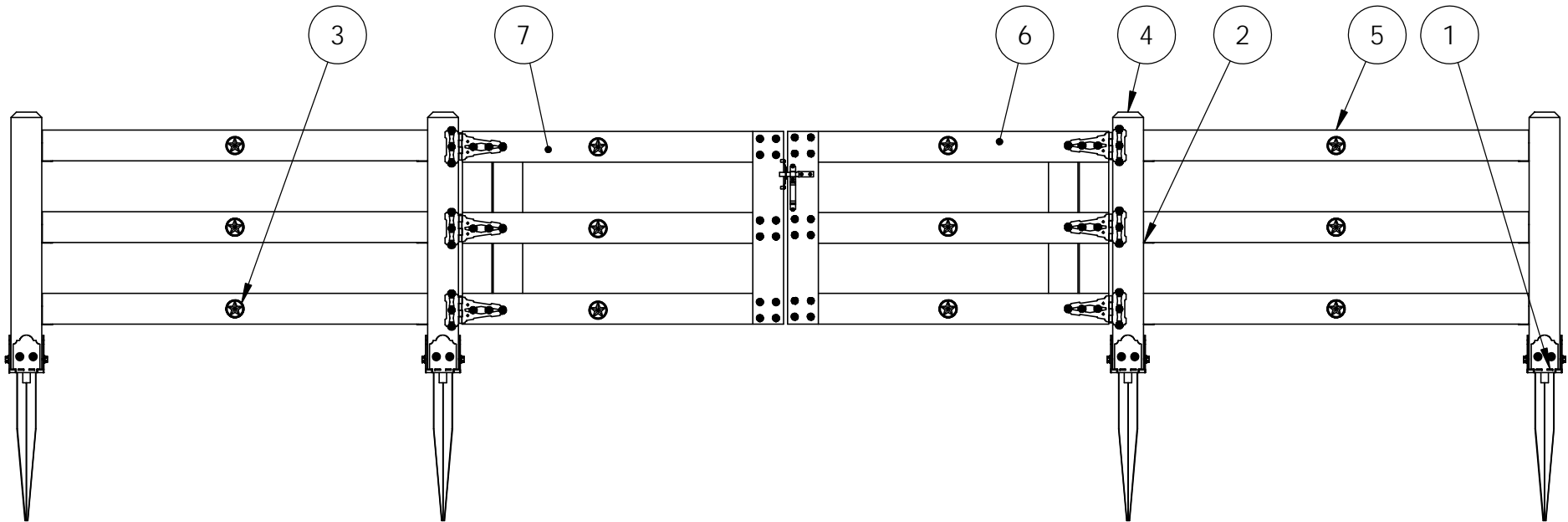
OZCO Project #418 - Ranch Style Fence



OZCO BUILDING PRODUCTS

V2.00 - Installation Instructions, Specifications and Project Plans are effective 2/13/2017 . This information is updated periodically and should not be relied upon after 2 years from 2/13/2017 . Please visit OZCOBP.com to get current information.

ITEM NO.	without Earth/QTY.	PART NUMBER	DESCRIPTION
1	4	56633	6x6 Post Anchor Kit (6x6-OPAK-LS)
2	6	50120	Wood to Wood Bracket (W2W-FB)
3	1	56624	3-3/8" OD Star (STAR3.375)
4	4	6x6 Cedar Post	6x6x4'0"
5	6	2x6 Cedar Board	2x6x6'0"
6	1	Gate, Project #418 Ranch	Right
7	1	Gate, Project #418 Ranch	Left



Bill of Material-Fence

OZCO Project #418 - Ranch Style Fence

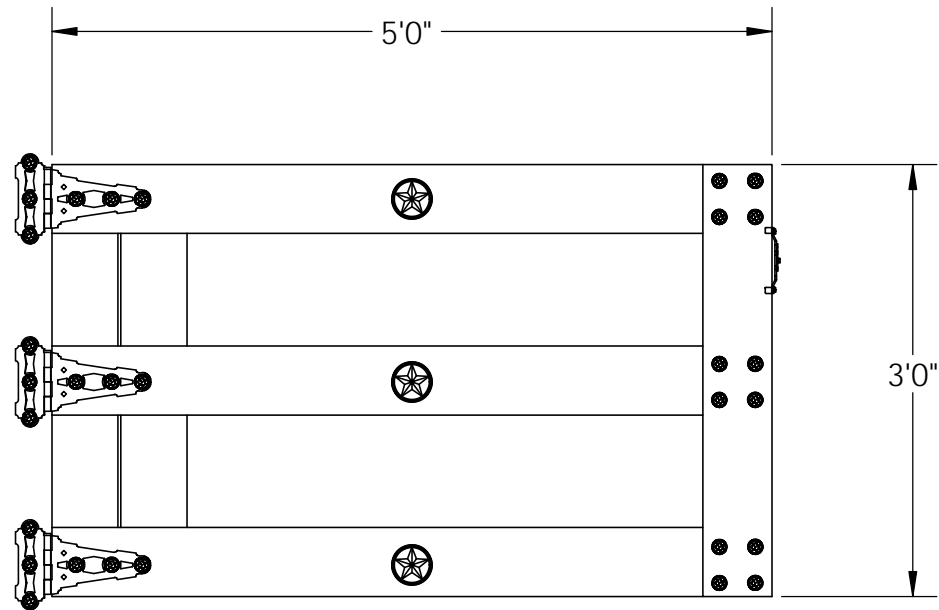


QTY.	PART NUMBER	DESCRIPTION
4	56633	6x6 Post Anchor Kit (6x6-OPAK-LS)
1	56653	T-Hinge Kit (T-HINGE)
3	56622	1-1/4" Hammered Dome Cap Nut
1	56625	OWT Timber Screw 1-3/4"
1	56656	Standard Latch Kit (S-LATCH)
6	50120	Wood to Wood Bracket
2	6x6x8L	6x6x4
6	2x6x6L	2x6x6
5	1x6x8L	1x6x8
1	1x6x10L	1x6x10

Material List

OZCO Project #418 - Ranch Style Fence





Left side shown

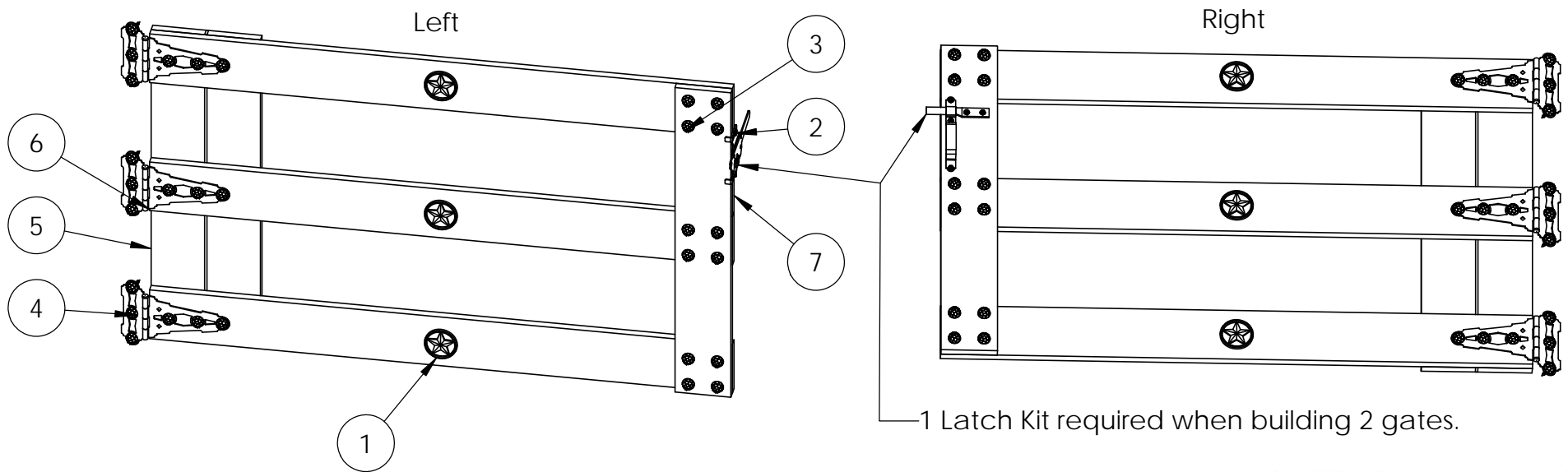
Overview-Gate

OZCO Project #418 - Ranch Style Fence



V2.00 - Installation Instructions, Specifications and Project Plans are effective 2/13/2017 . This information is updated periodically and should not be relied upon after 2 years from 2/13/2017 . Please visit OZCOBP.com to get current information.

ITEM NO.	QTY.	PART NUMBER	DESCRIPTION
1	1	56624	3-3/8" OD Star (STAR3.375)
2	2	56656	Standard Latch Kit (S- LATCH)
3	2	56622	1-1/4" Hammered Dome Cap Nut
	2	56625	OWT Timber Screw 1- 3/4"
4	2	56653	T-Hinge Kit (T-HINGE)
5	6	1x6 Cedar Board	1x6x3'0"
6	6	1x6 Cedar Board	1x6x5'0"
7	2	1x6 Cedar Board	1x6x9 3/8"



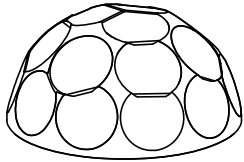
Bill of Materials-Gate

OZCO Project #418 - Ranch Style Fence

OZ-POST
instant post holes

OZCO BUILDING PRODUCTS

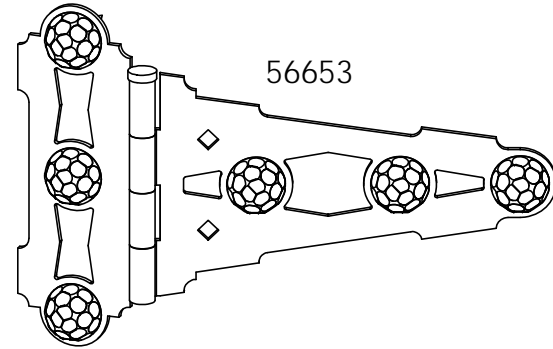
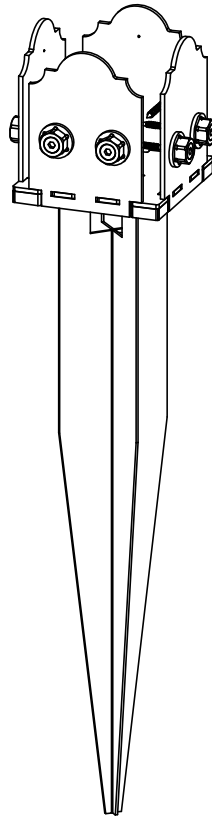
V2.00 - Installation Instructions, Specifications and Project Plans are effective 2/13/2017. This information is updated periodically and should not be relied upon after 2 years from 2/13/2017. Please visit OZCOBP.com to get current information.



56622



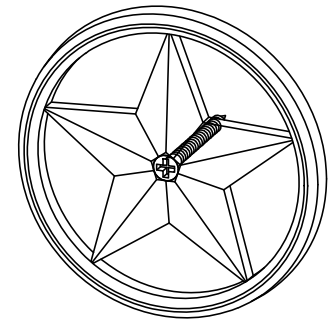
56633



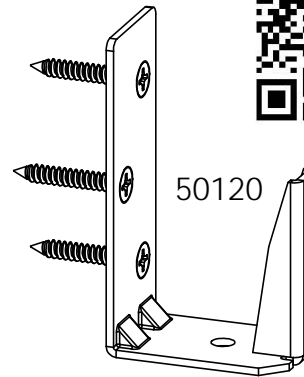
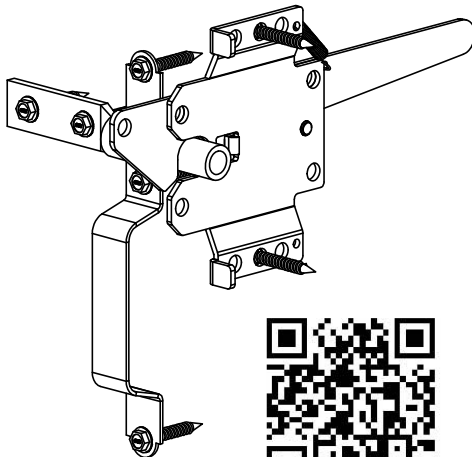
56653



56624

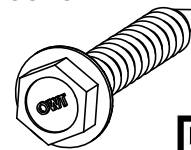


56656



50120

56625



OZCO Project #418 - Ranch Style Fence



OZCO BUILDING PRODUCTS

V2.00 - Installation Instructions, Specifications and Project Plans are effective 2/13/2017 . This information is updated periodically and should not be relied upon after 2 years from 2/13/2017 . Please visit OZCOBP.com to get current information.

