

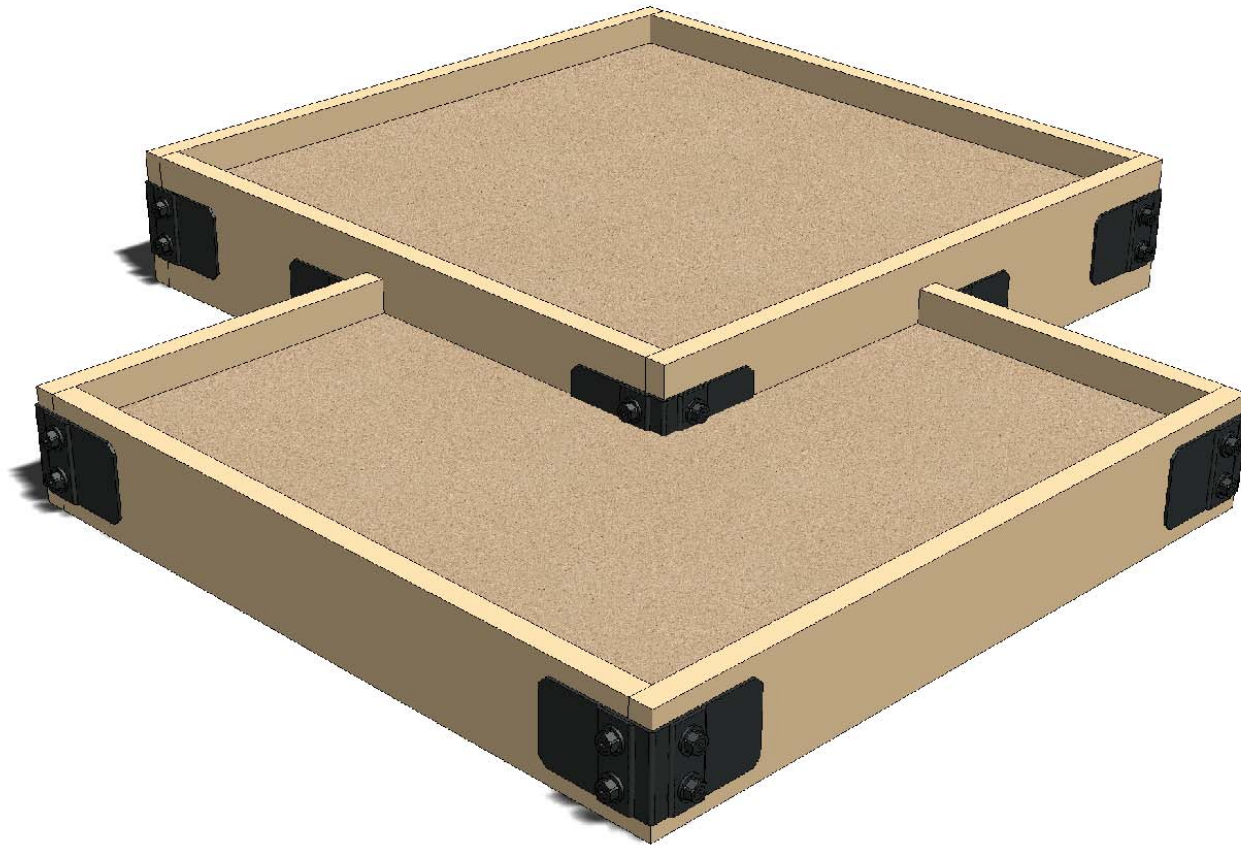
DESIGN

PURCHASE

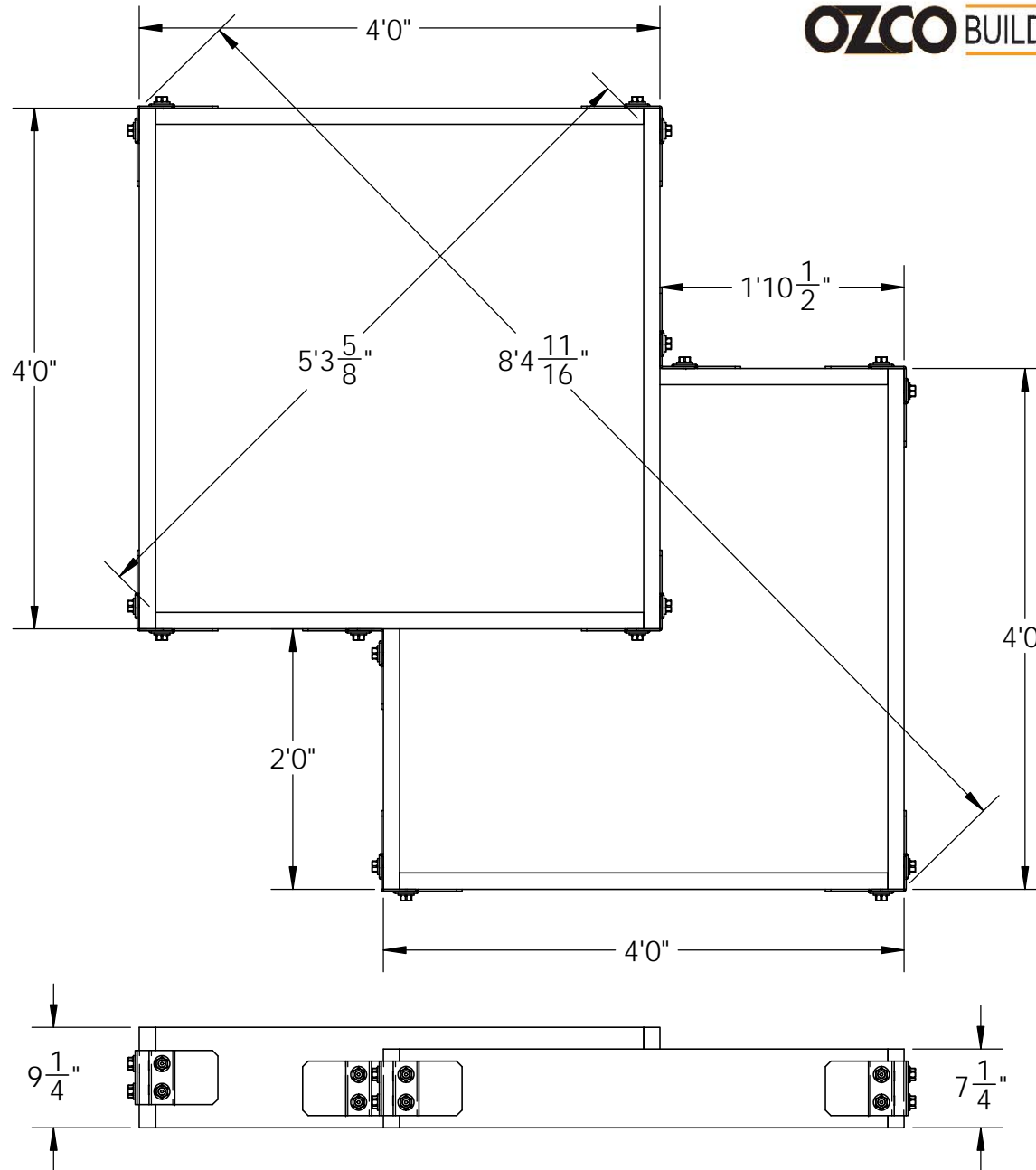
CONSTRUCT

ENJOY

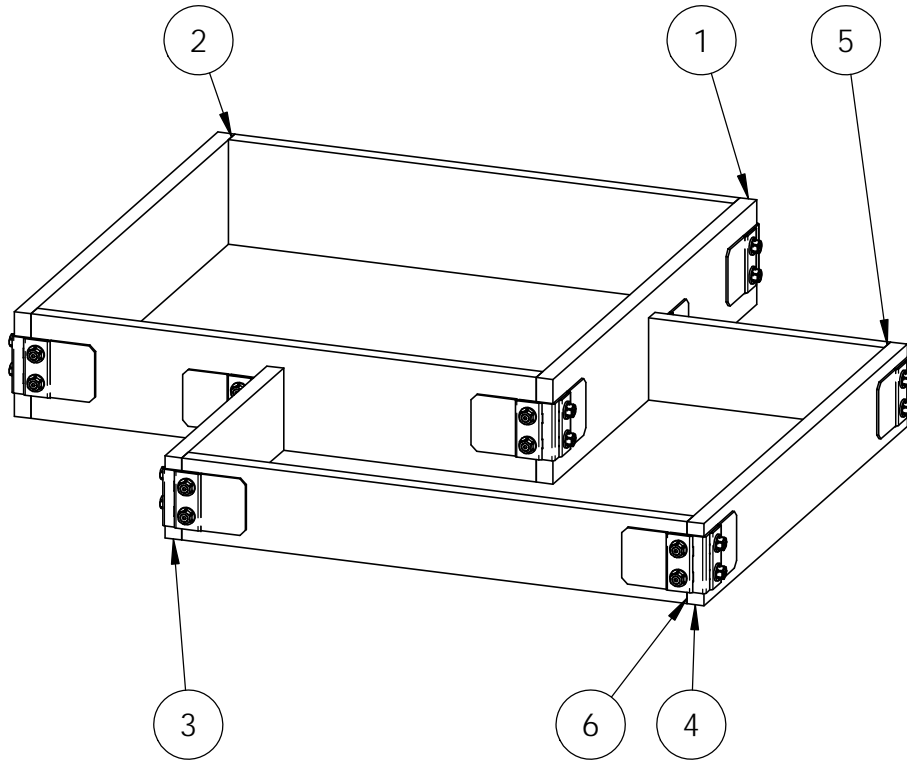
OZCO Project #505 IW- Raised Garden



OZCO BUILDING PRODUCTS ■■■



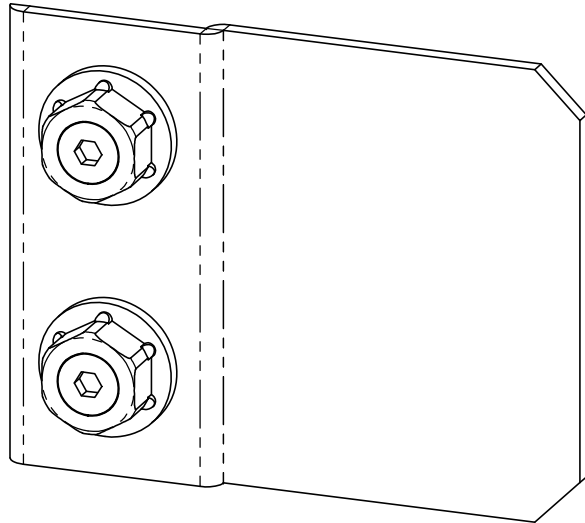
Overview



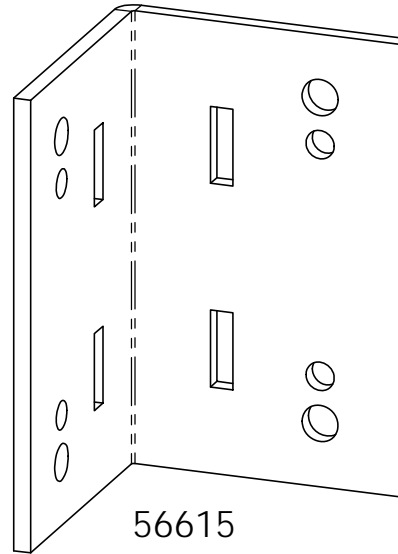
ITEM NO.	QTY.	PART NUMBER	DESCRIPTION
1	2	2x10 Board	2x10x4'0"
2	2	2x10 Board	2x10x3'9"
3	1	2x8 Board	2x8x2'0"
4	1	2x8 Board	2x8x4'0"
5	1	2x8 Board	2x8x1'9"
6	1	2x8 Board	2x8x3'9"
7	1	56615	Flush Inside 90 (FI-90)
	2	51711	Truss Accent (TA-IW)
	1	56625	OWT Timber Screw 1-3/4"
8	4	56615	Flush Inside 90 (FI-90)
	8	51711	Truss Accent (TA-IW)
	1	56625	OWT Timber Screw 1-3/4"

Bill of Materials

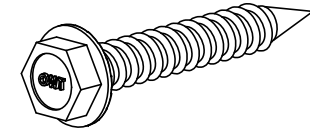
OZCO Project #505 IW- Raised Garden



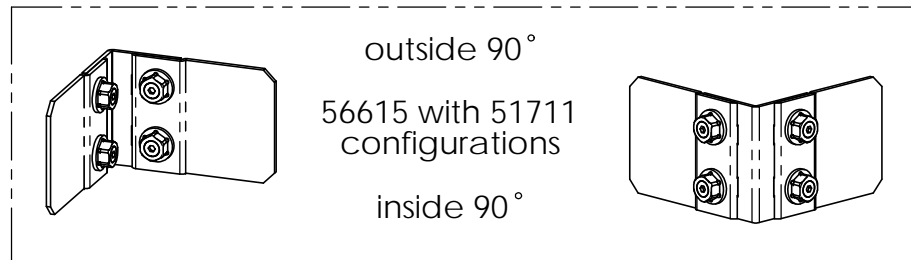
51711

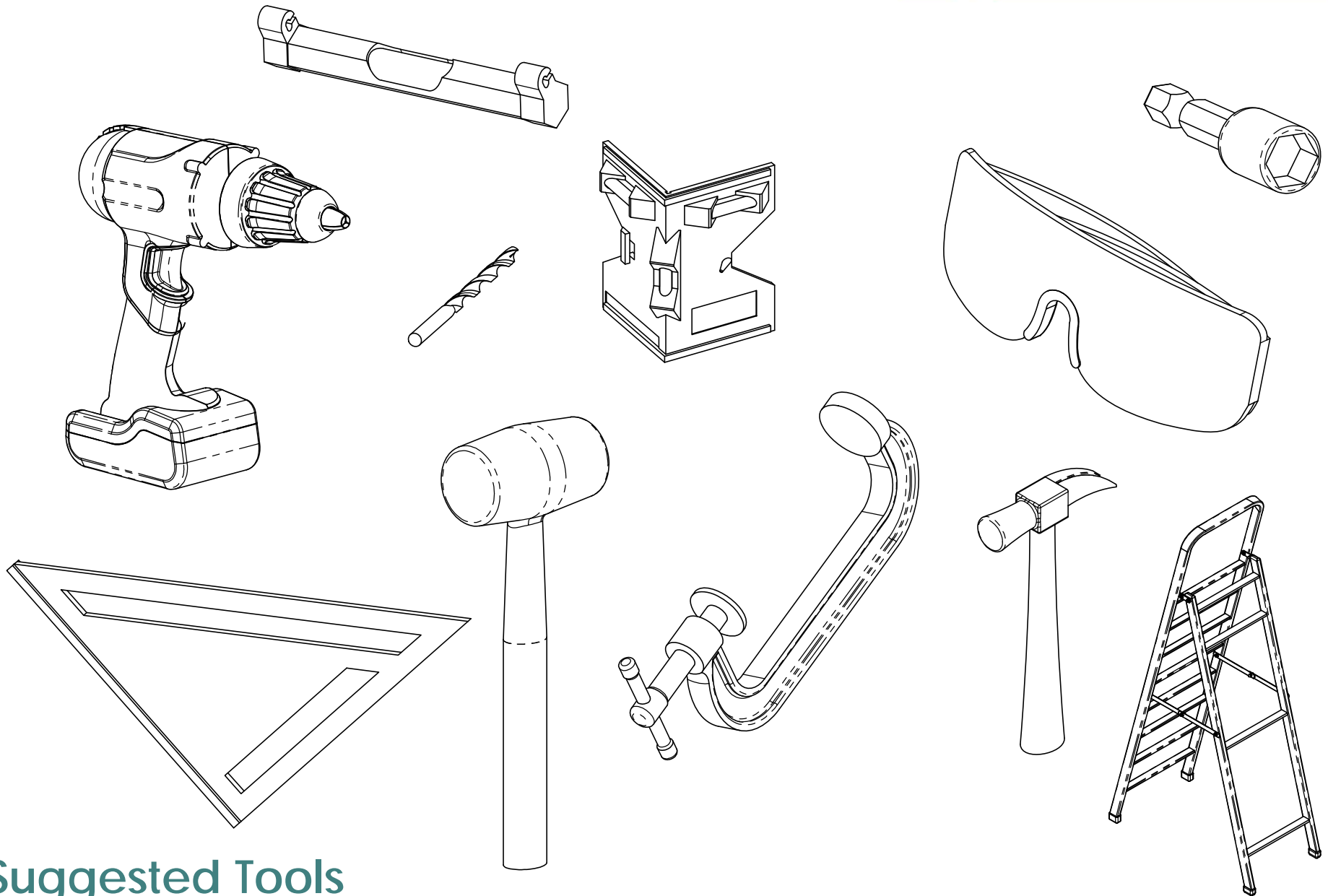


56615



56625

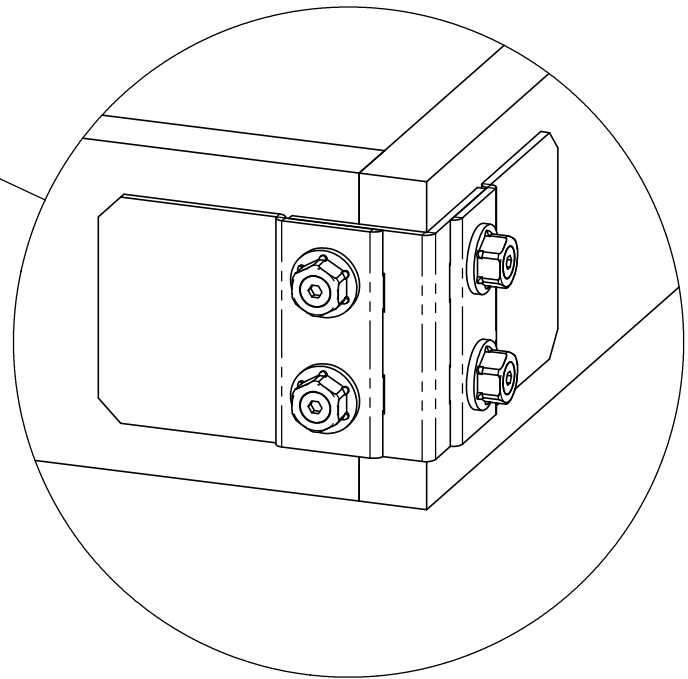
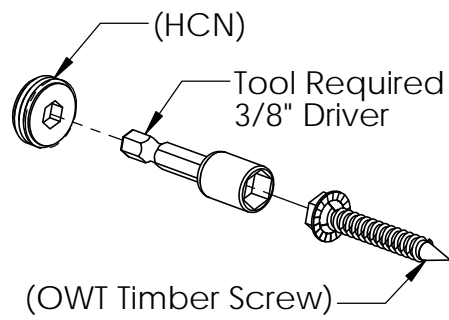
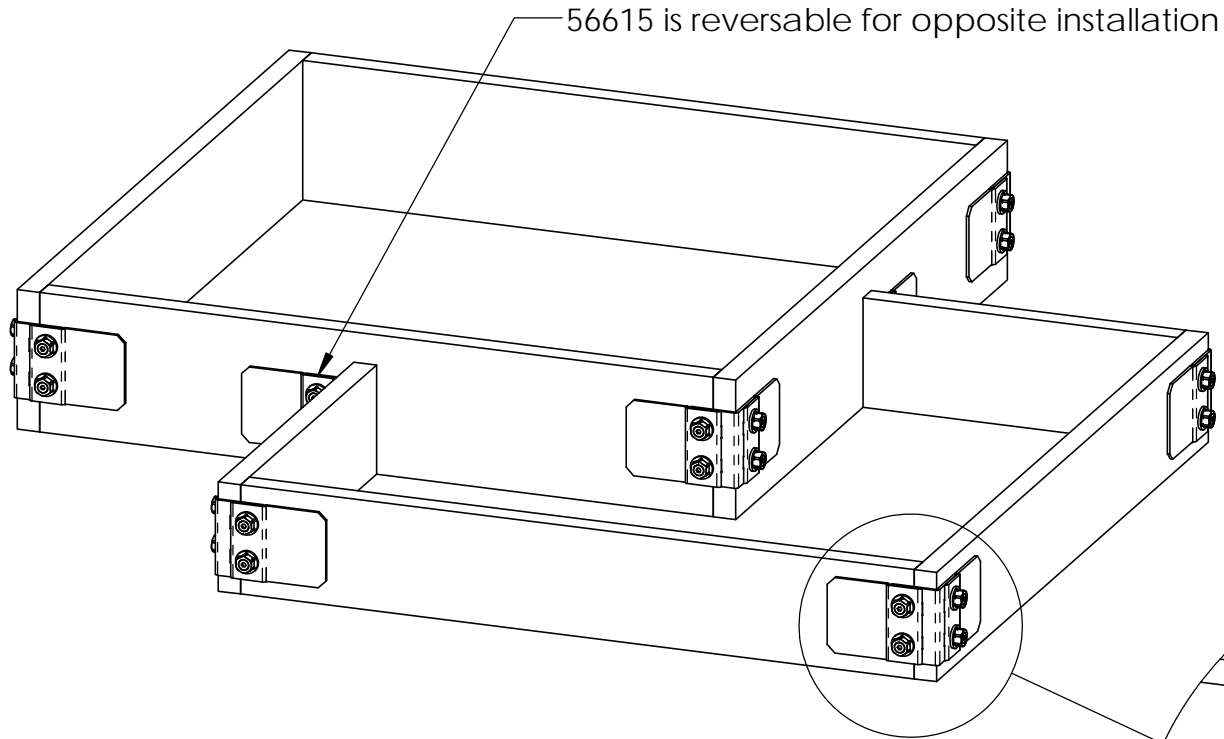




Suggested Tools

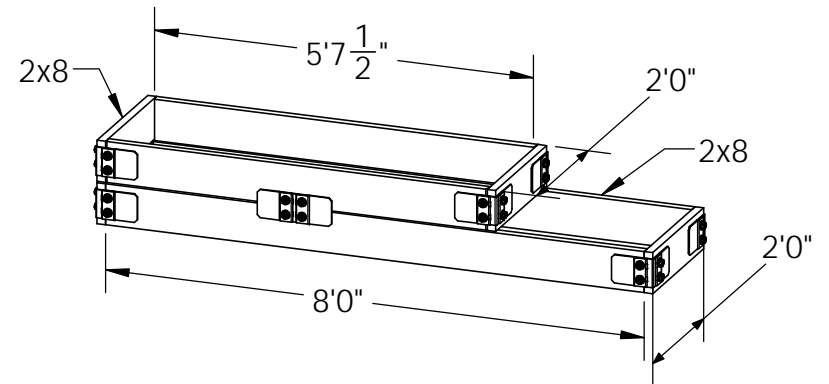
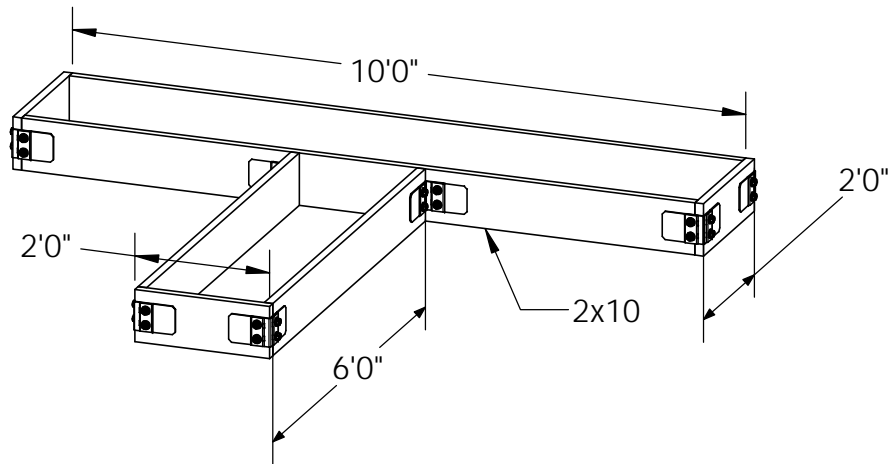
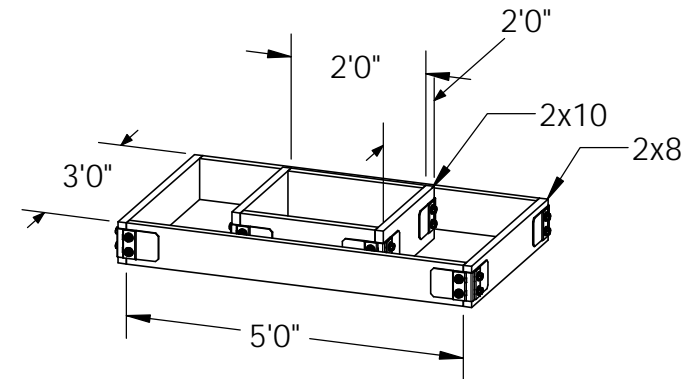
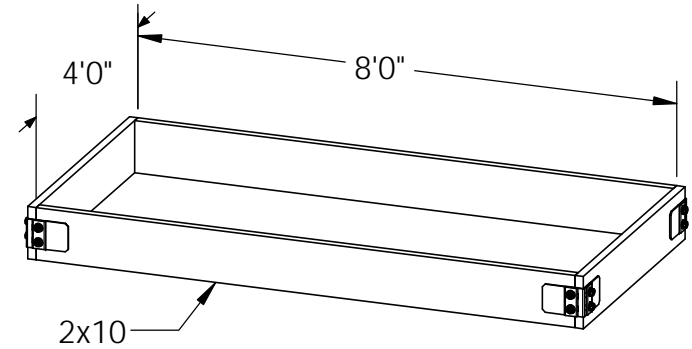
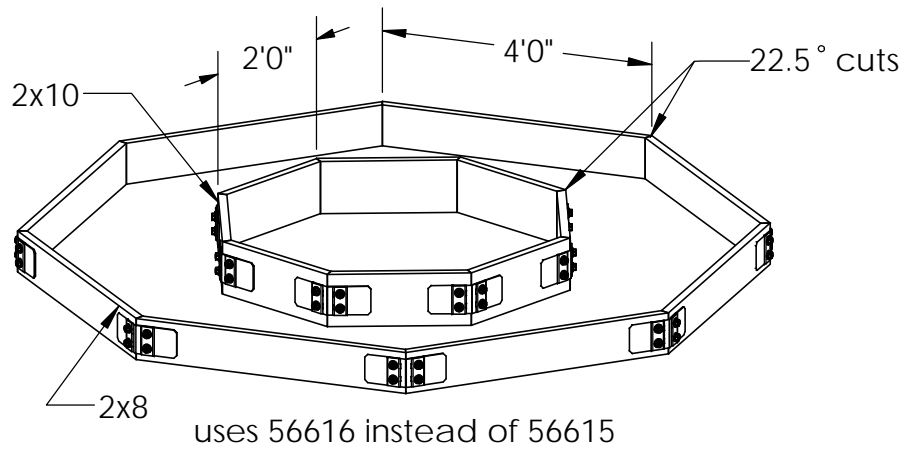
(others may be required)

OZCO Project #505 IW- Raised Garden



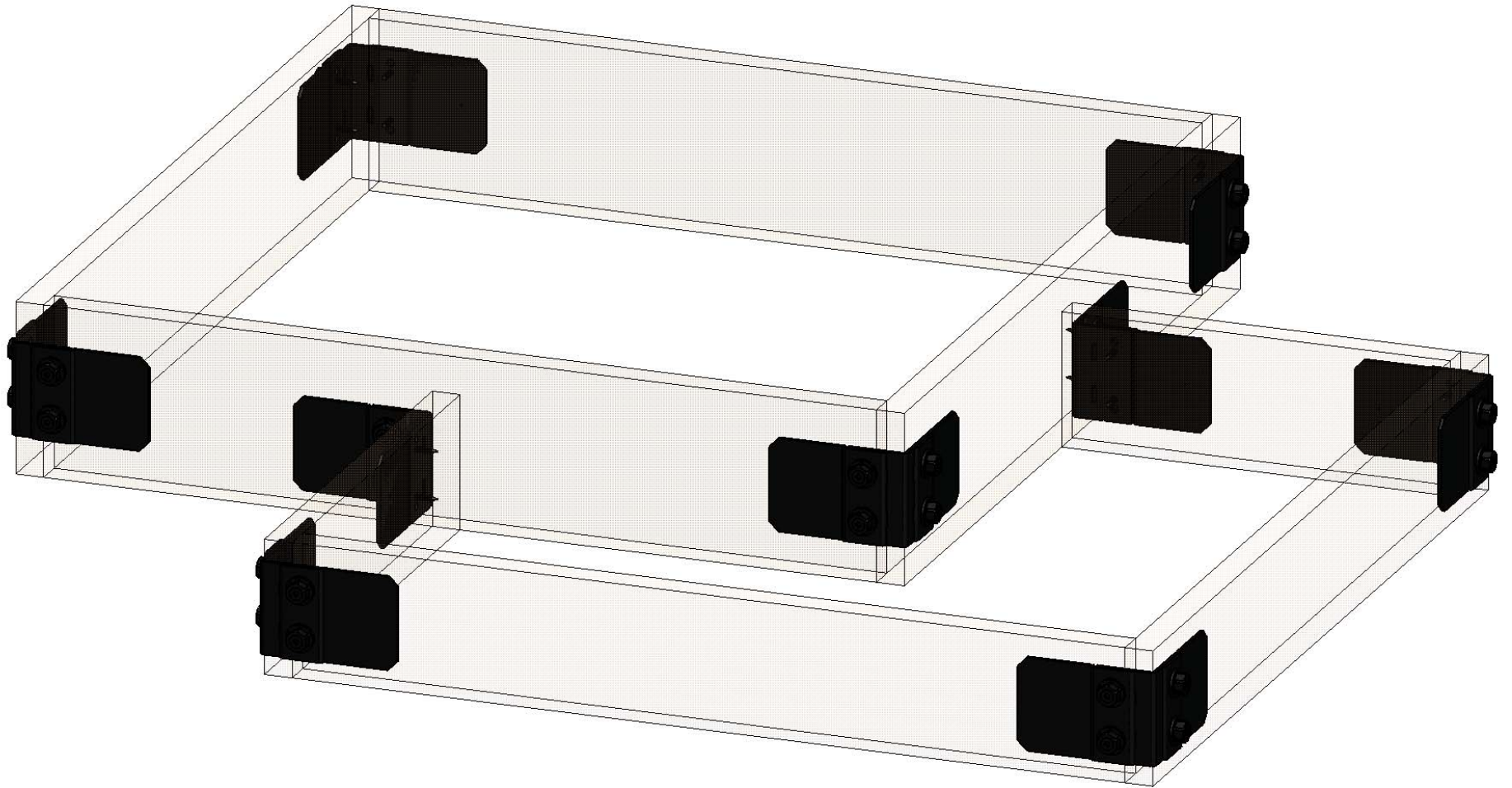
typical assembly

OZCO Project #505 IW- Raised Garden



Idea's

OZCO Project #505 IW- Raised Garden



Translucent

OZCO Project #505 IW- Raised Garden