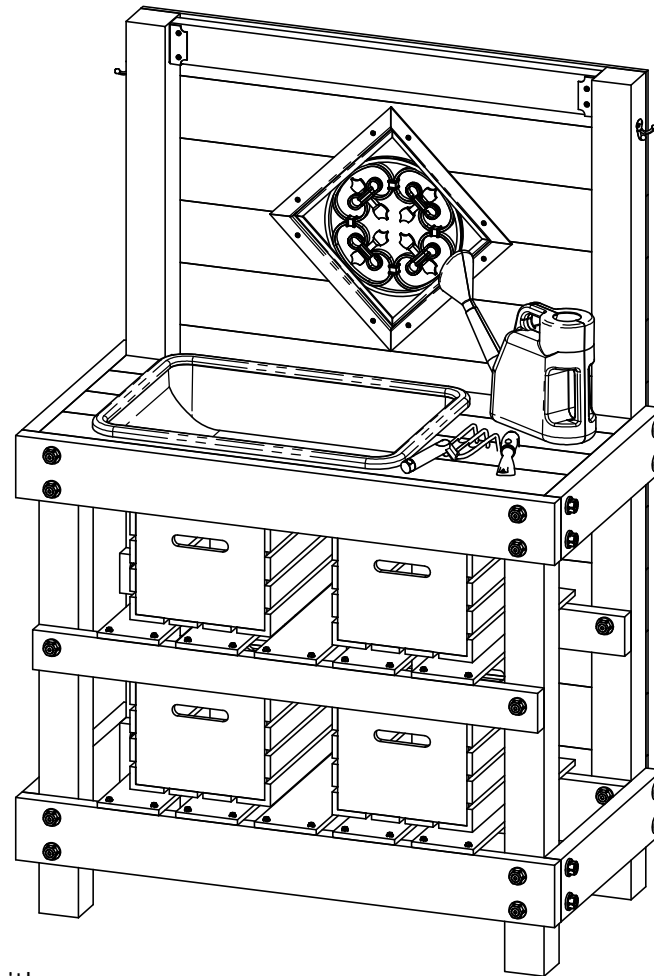
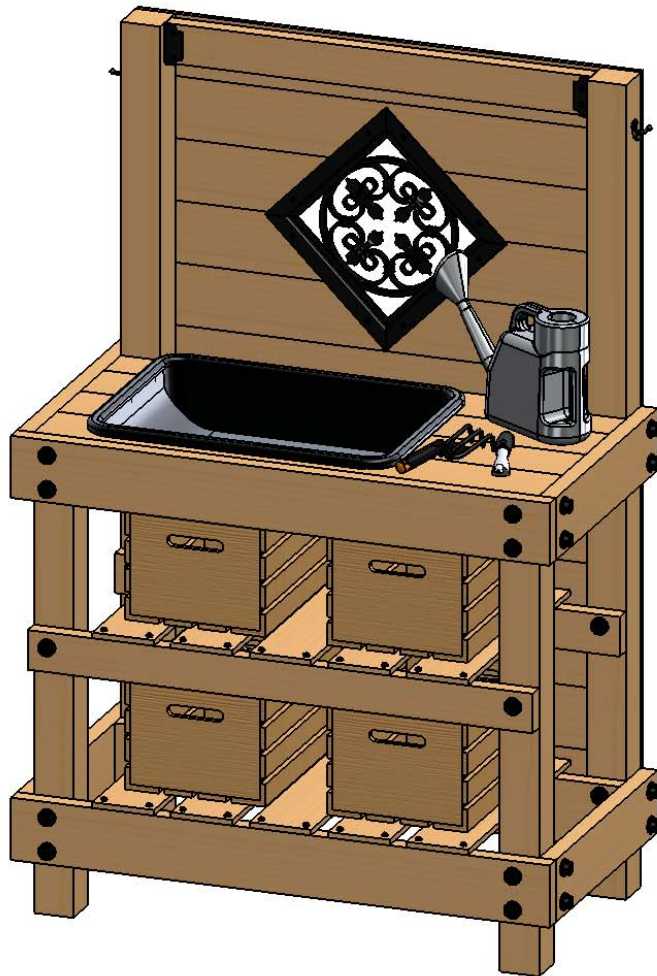


# OZCO Project #520 - Garden Bench-Buffer



shown with  
available  
accessories from  
Home Depot



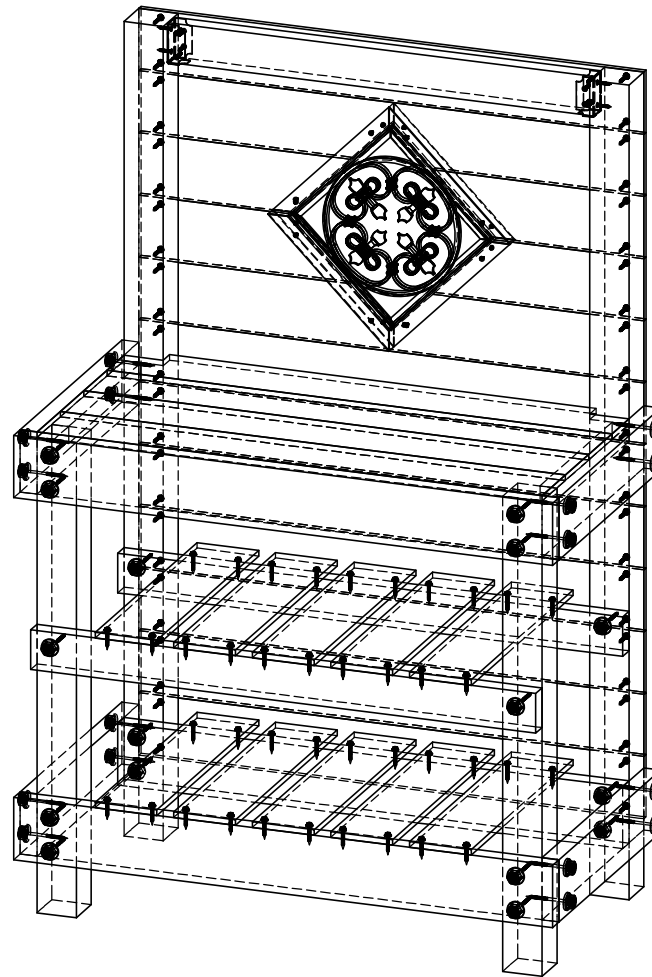
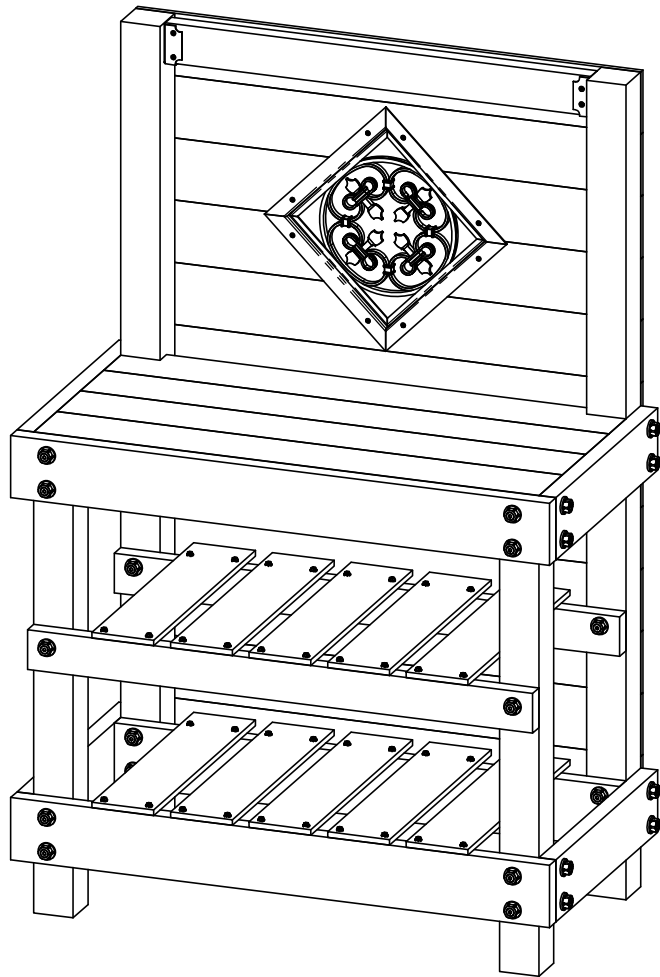
DESIGN

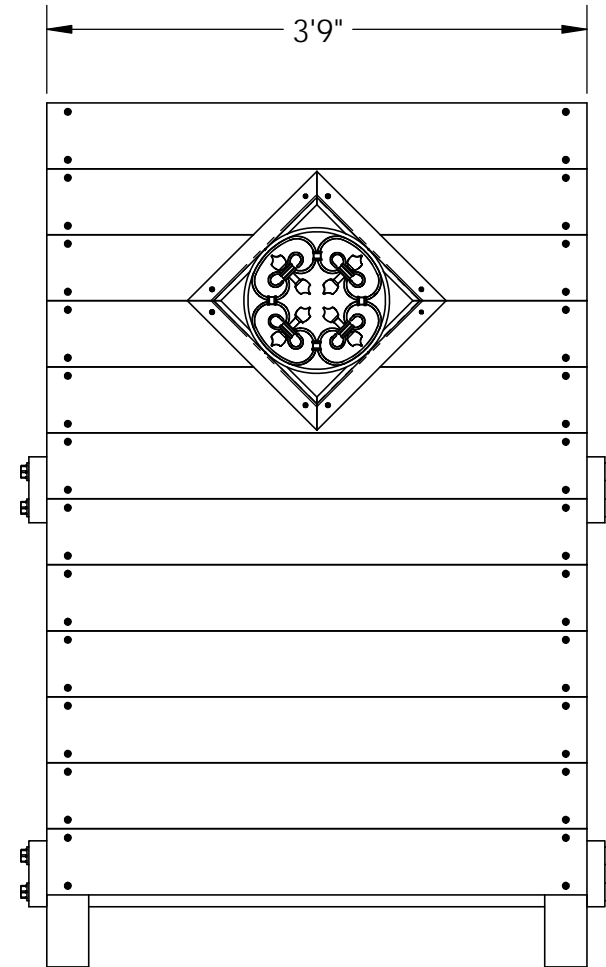
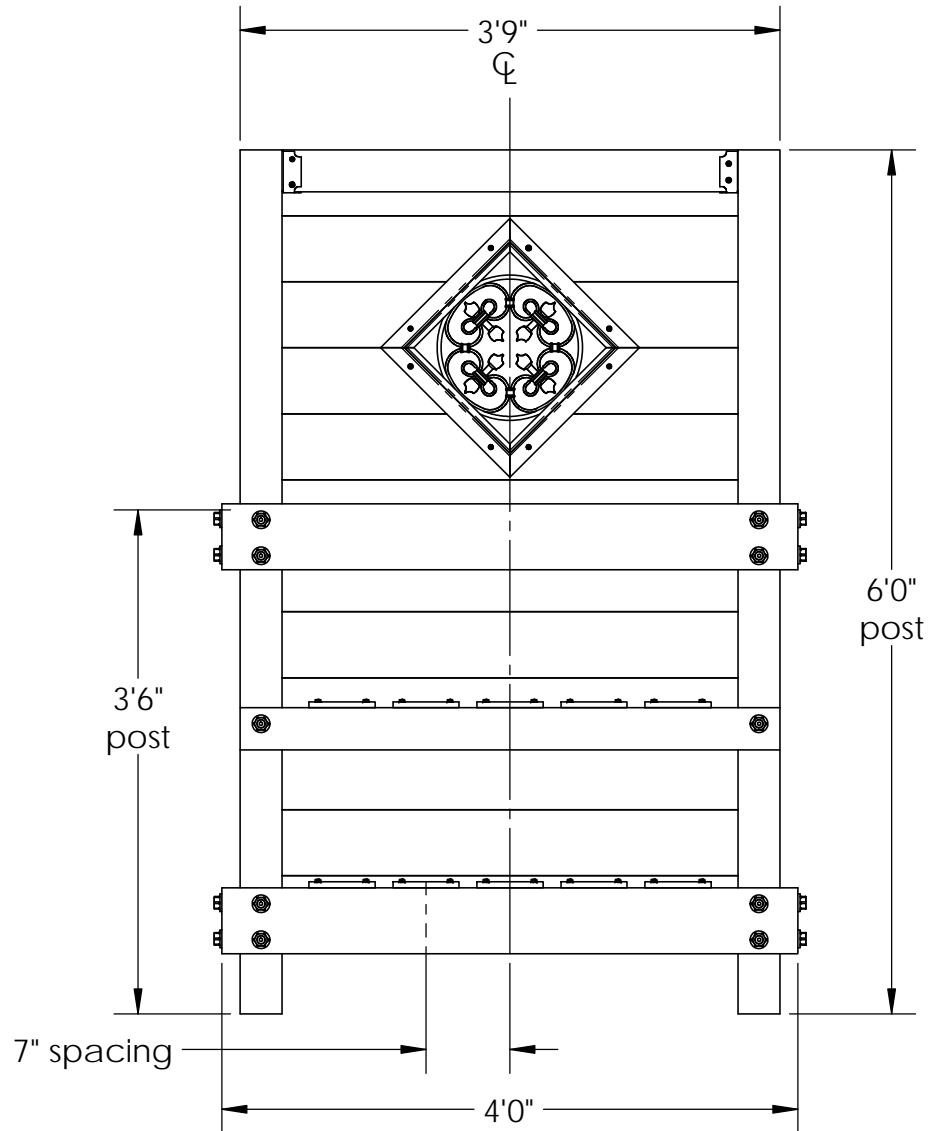
PURCHASE

CONSTRUCT

ENJOY

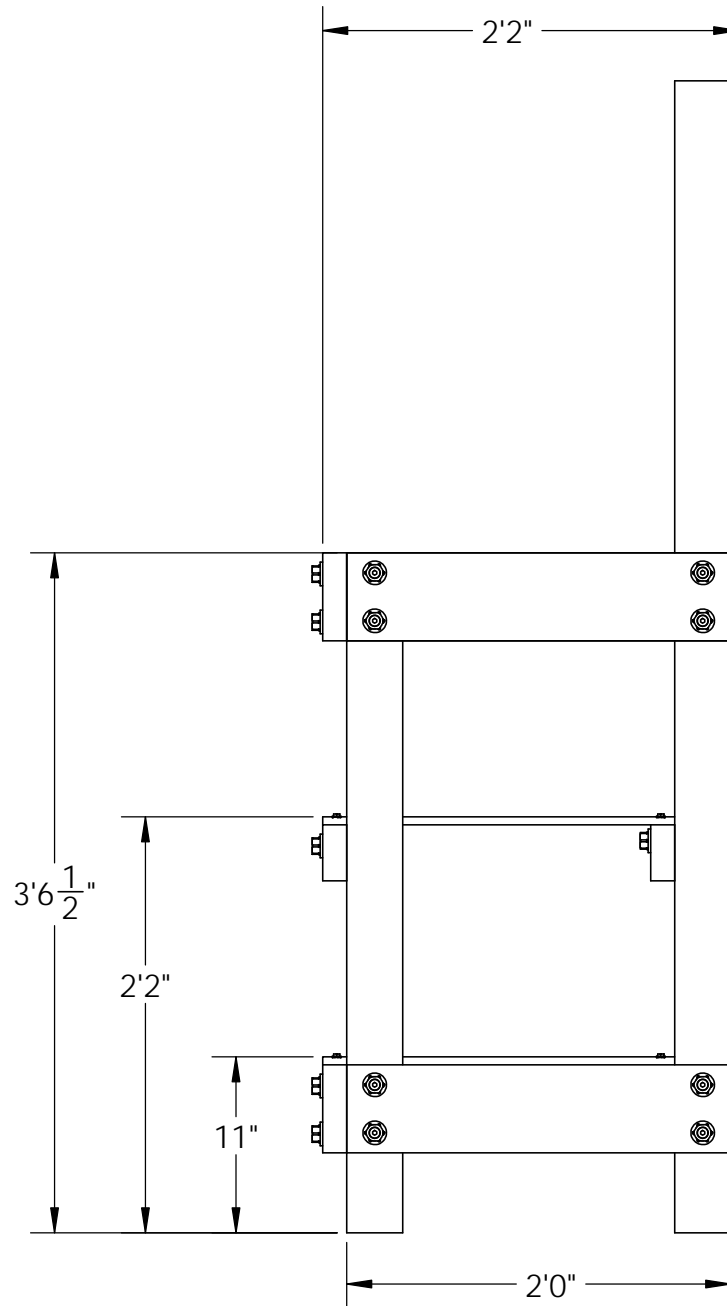
## OZCO Project #520 - Garden Bench-Bufferet





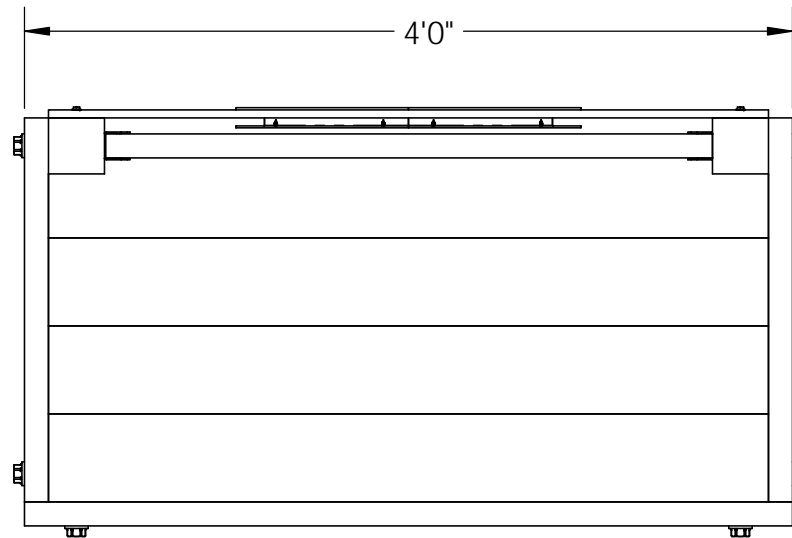
## Garden Buffet

OZCO Project #520 - Garden Bench-Buffer



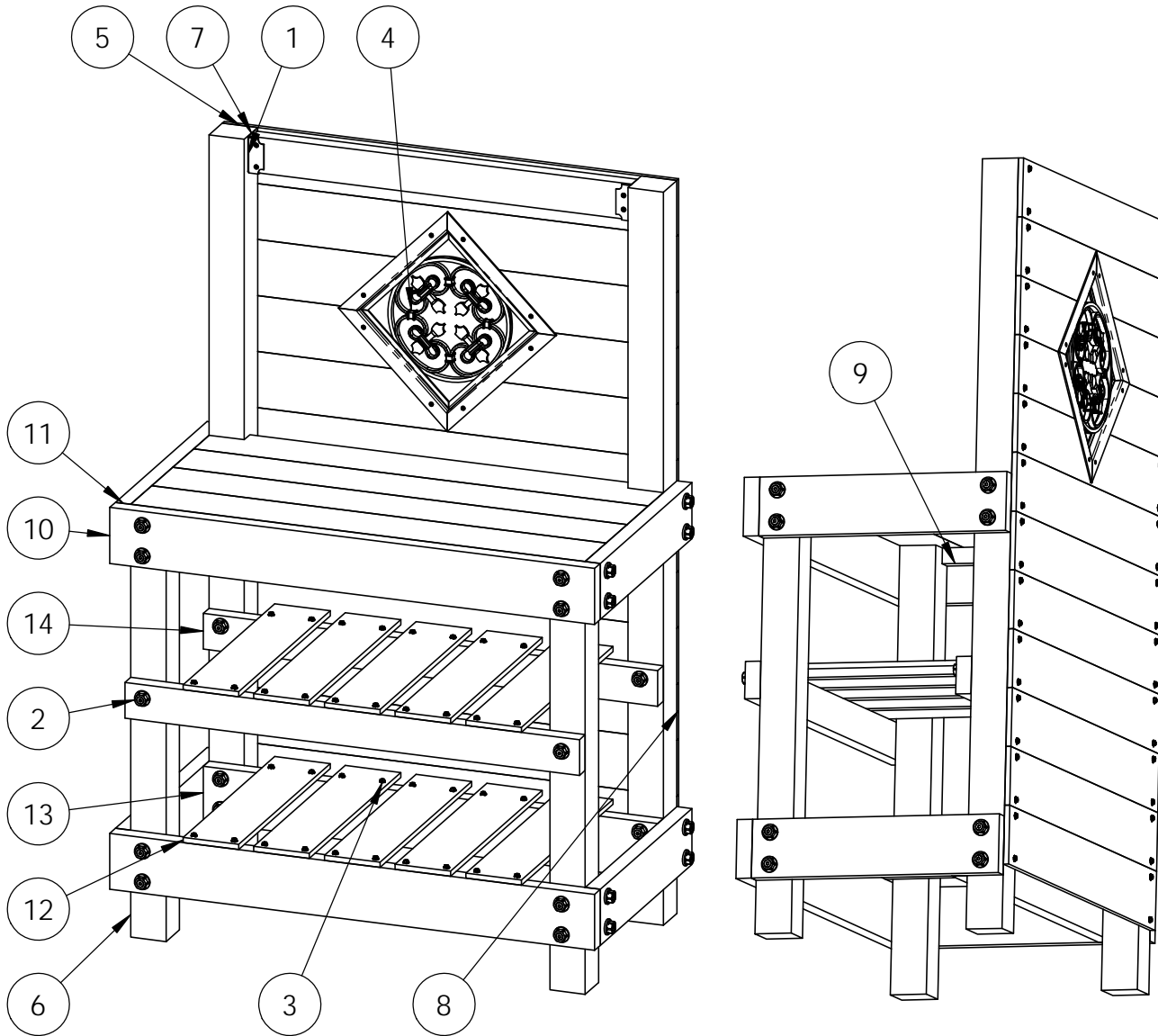
## Garden Buffet

OZCO Project #520 - Garden Bench-Buffer



## Garden Buffet

OZCO Project #520 - Garden Bench-Buffer



ITEM NO.	QTY.	PART NUMBER	Description
1	1	56641	2x4 Top Rail Saddle (2x4-TR)
2	4	56621	1 1/2" Hex Cap Nut (HCN)
	2	56627	OWT Timber Screw 3-3/4"
3	4	56625	OWT Timber Screw 1-3/4"
4	1	56658	56658
5	2	4x4 Post	4x4x6'0"
6	2	4x4 Post	4x4x3'6"
7	1	2x4 Board	2x4x3'1 15/16"
8	16	1x6 Board	1x6x3'9"
9	2	2x2 Board	2x2x1'5"
10	2	2x6 Board	2x6x4'0"
11	5	2x6 Board	2x6x2'0"
12	10	1x6 Board	1x6x2'0"
13	1	2x6 Board	2x6x3'9"
14	2	2x4 Board	2x4x3'9"

## Garden Buffet

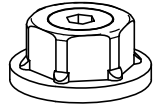
OZCO Project #520 - Garden Bench-Buffer

QTY.	PART NUMBER	DESCRIPTION
1	56658	Assembly, 15-1/4" x 15-1/4" Scroll Accent
1	56618	4" Standard Rafter Clip (RC-LS-4)
1	56641	2x4 Top Rail Saddle (2x4-TR)
1	56622	1-1/4" Hammered Dome Cap Nut
1	56627	OWT Timber Screw 3-3/4"
3	4x4x8L	4x4x8
8	1x6x8L	1x6x8
1	2x2x6L	2x2x6
1	2x6x12L	2x4x12
3	2x4x8L	2x4x8
2	1x6x10L	1x6x10

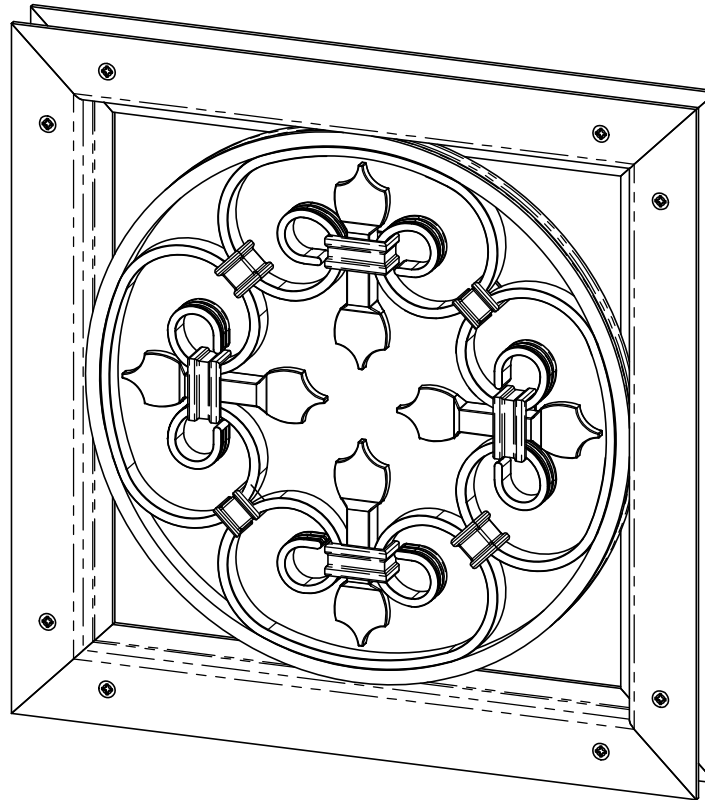
## Material List

OZCO Project #520 - Garden Bench-Buffer

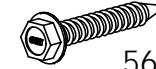
V2.00 - Installation Instructions, Specifications and Project Plans are effective 3/12/2018 . This information is updated periodically and should not be relied upon after 2 years from 3/12/2018 . Please visit OZCOBP.com to get current information.



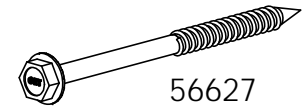
56621



56658



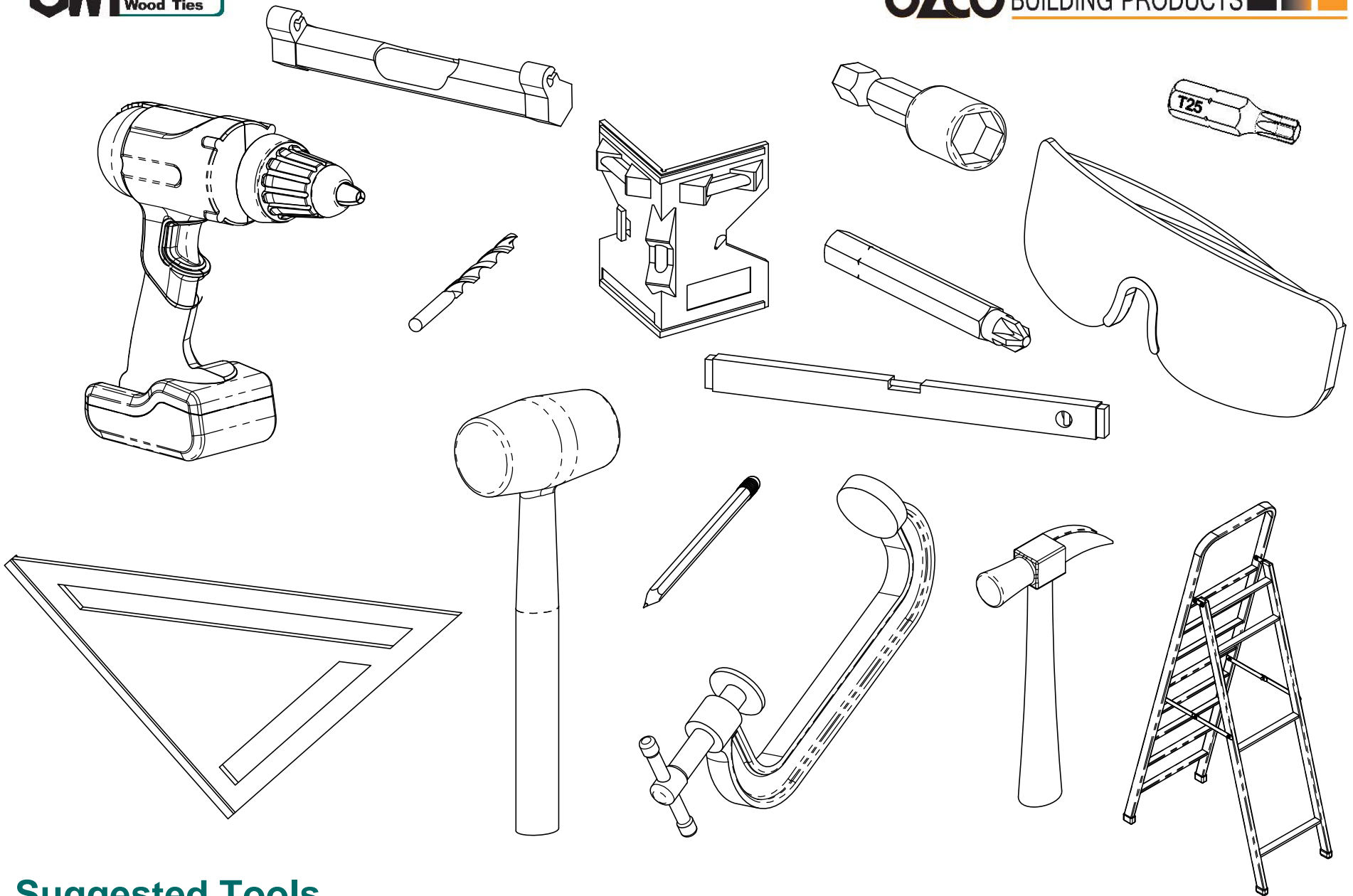
56625



56627



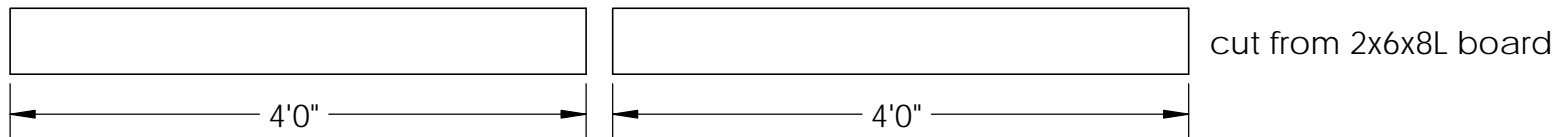
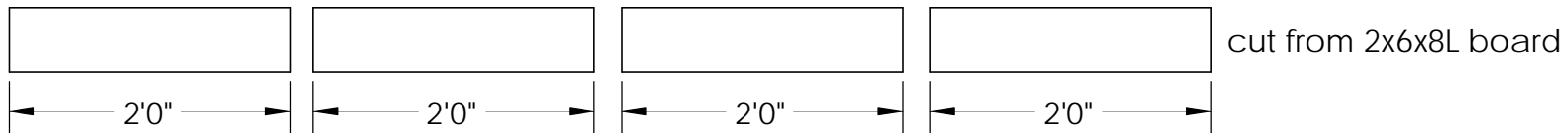
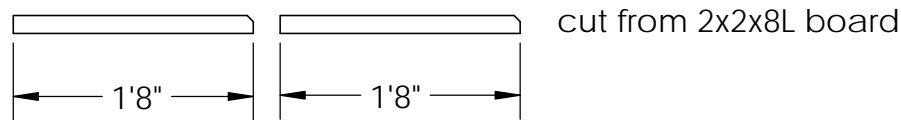
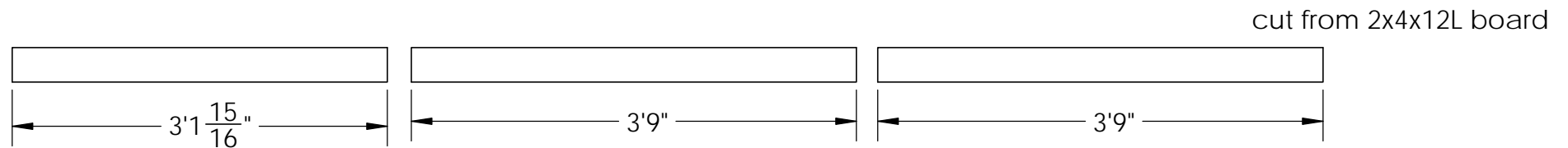
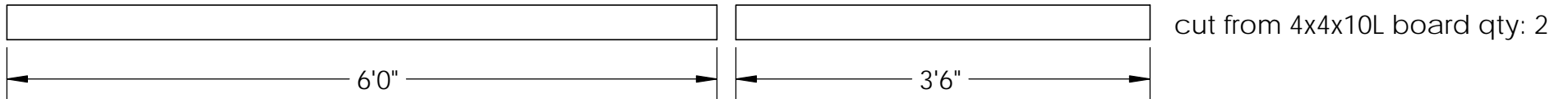




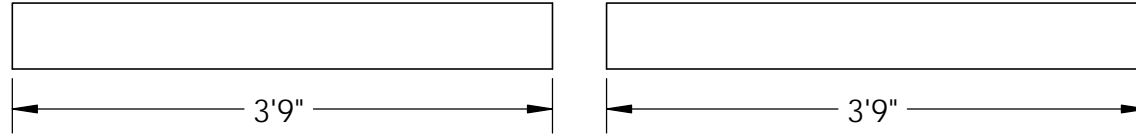
## Suggested Tools

(others may be required)

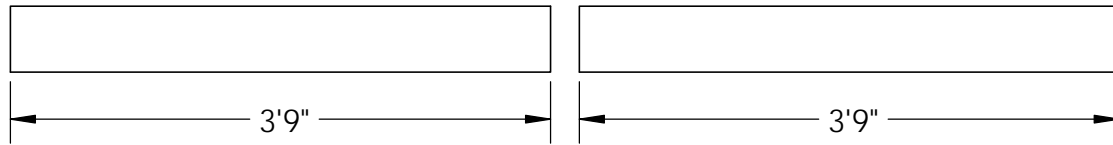
OZCO Project #520 - Garden Bench-Buffer



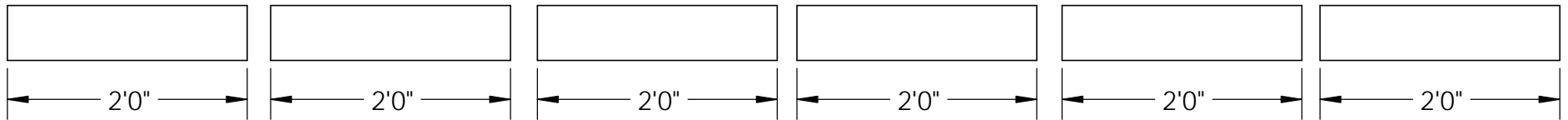
## Cutlist



cut from 2x6x8L board qty: 2

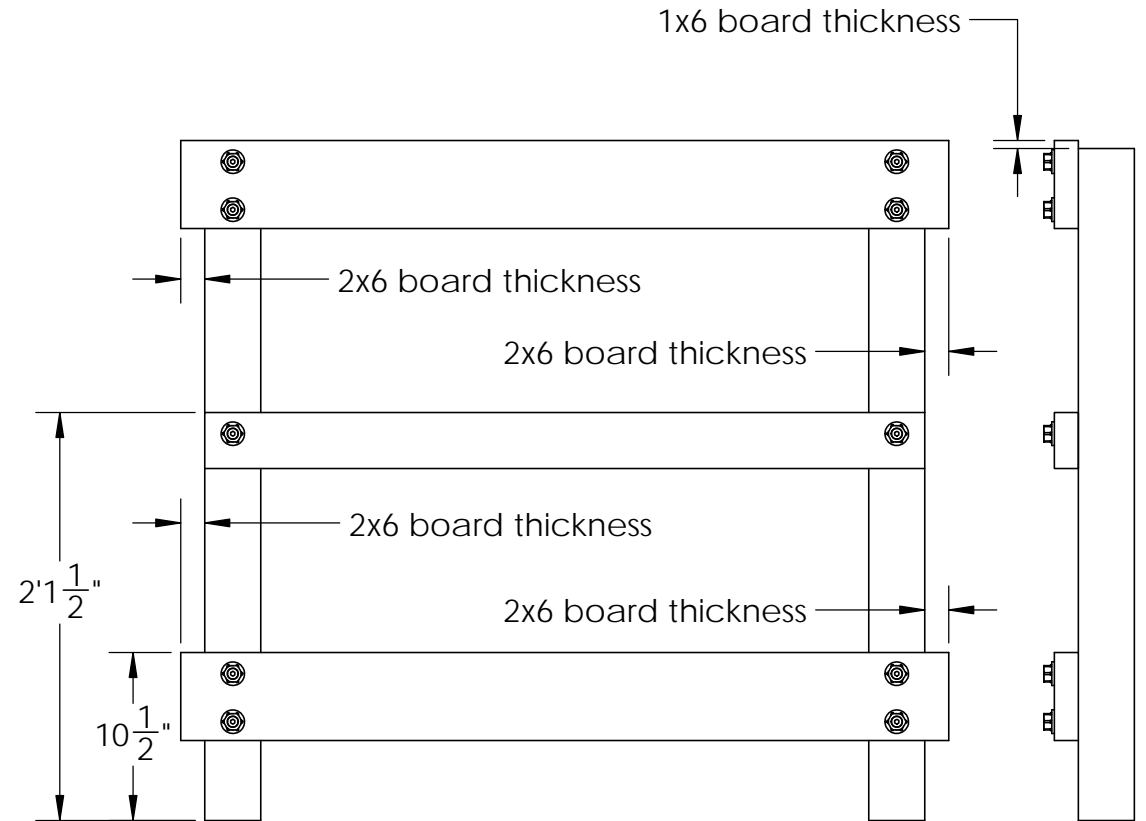
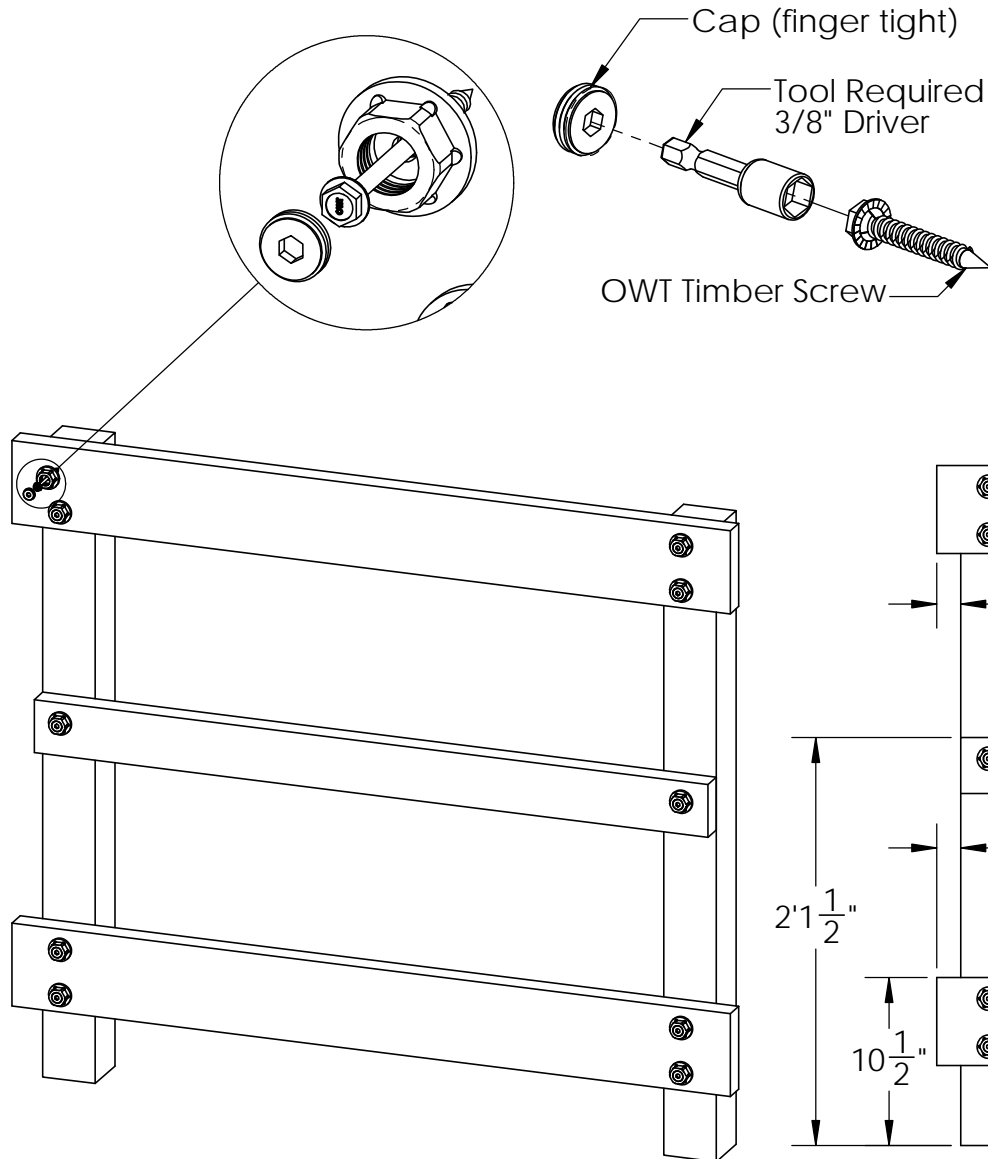


cut from 1x6x8L board qty: 8



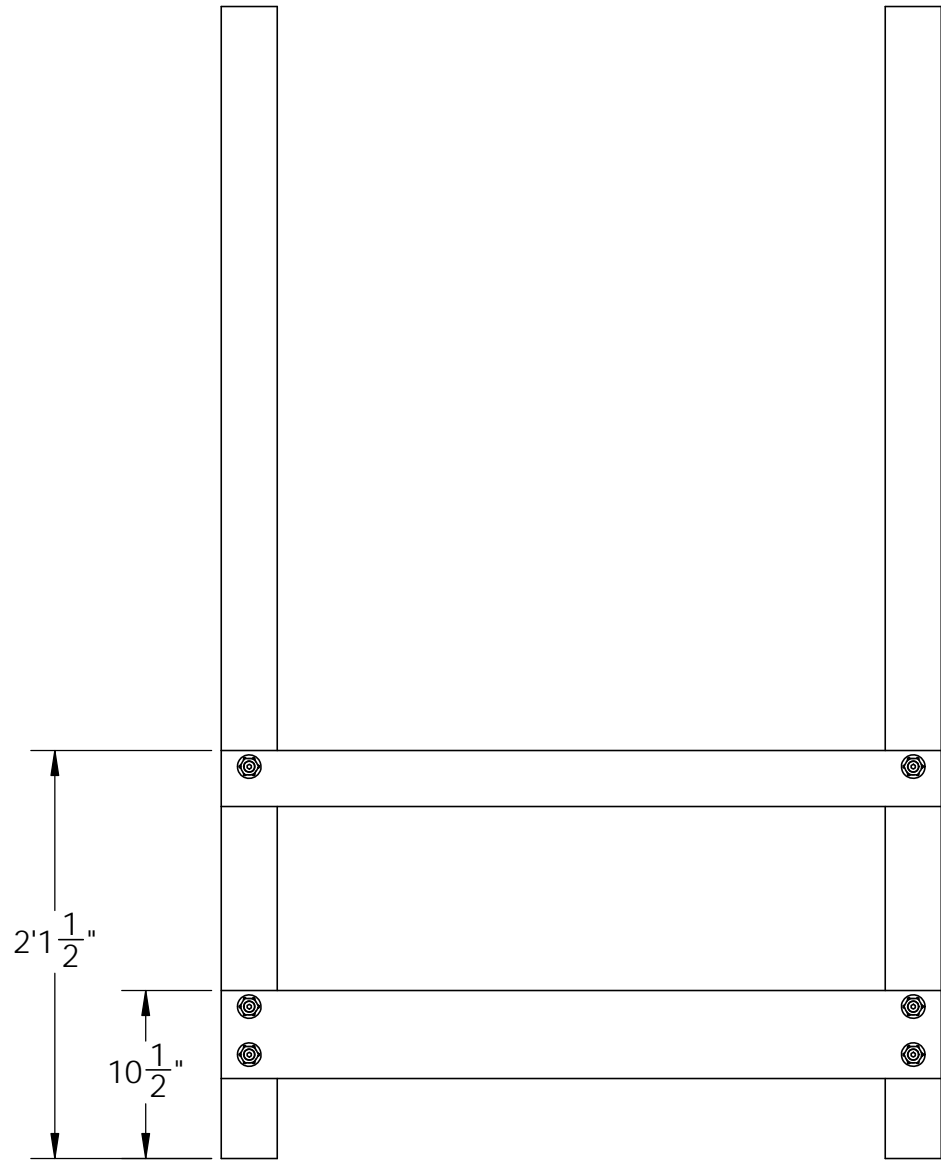
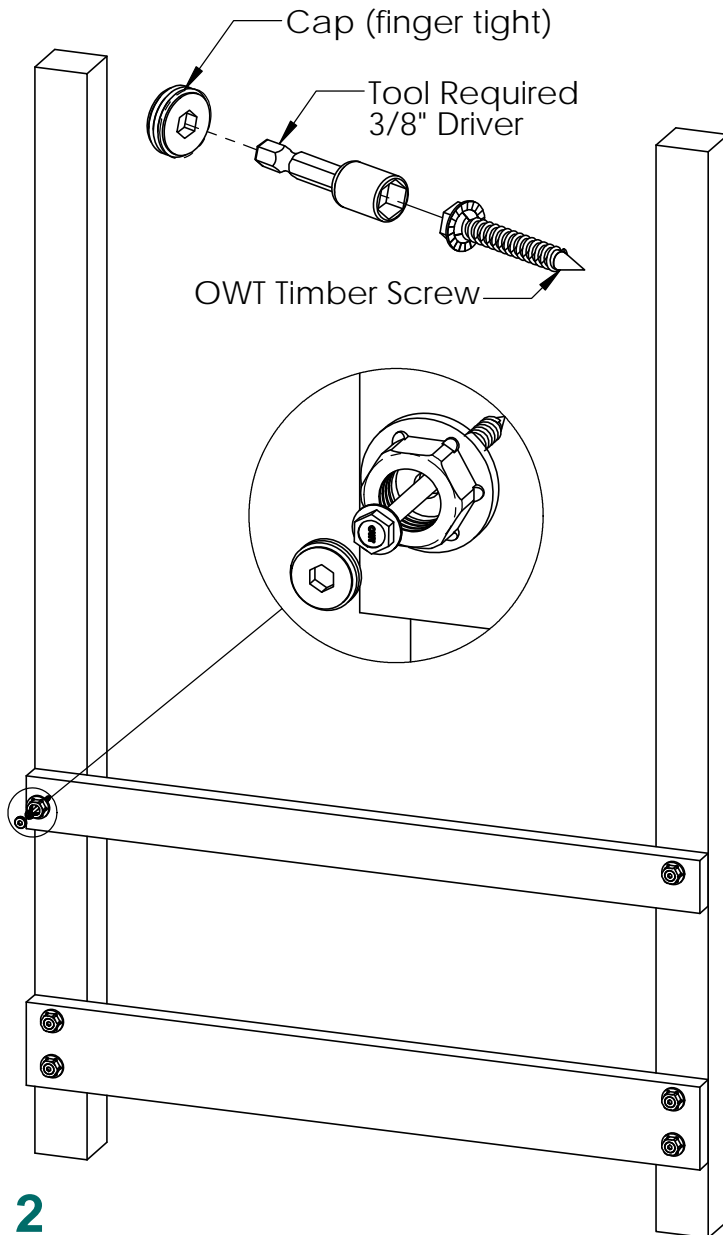
cut from 1x6x10L board qty: 2

## Cutlist



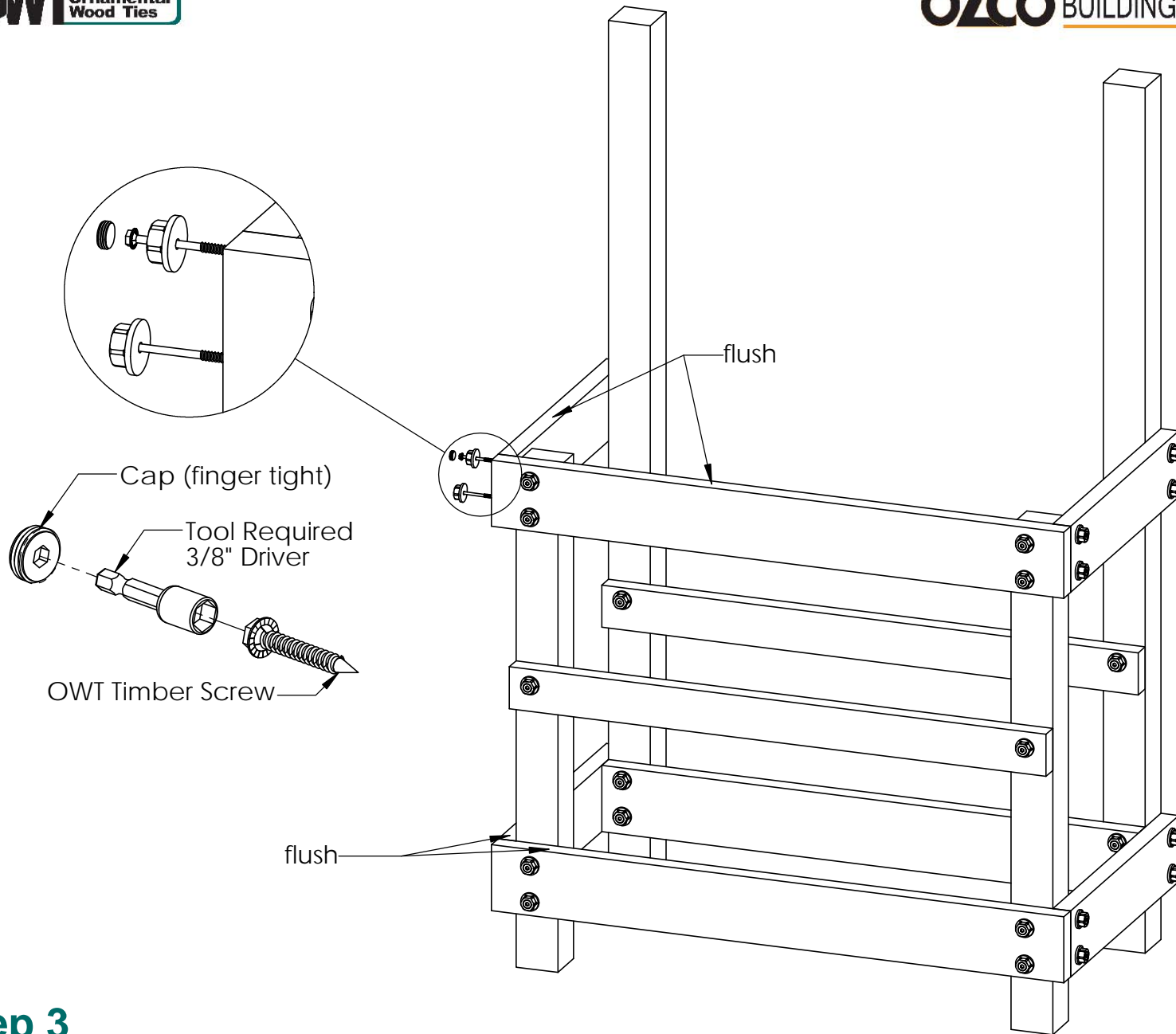
## step 1

OZCO Project #520 - Garden Bench-Buffer



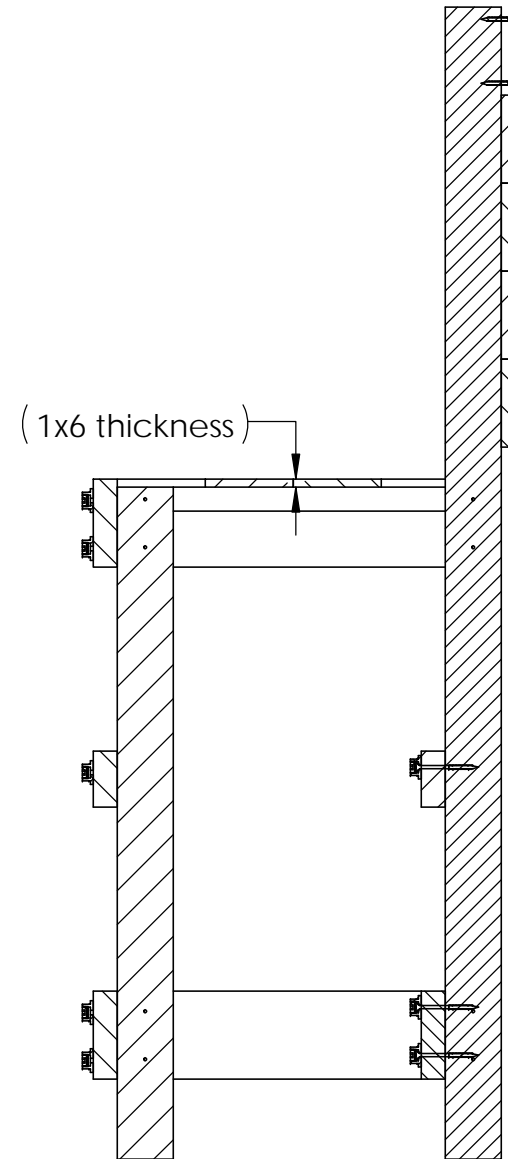
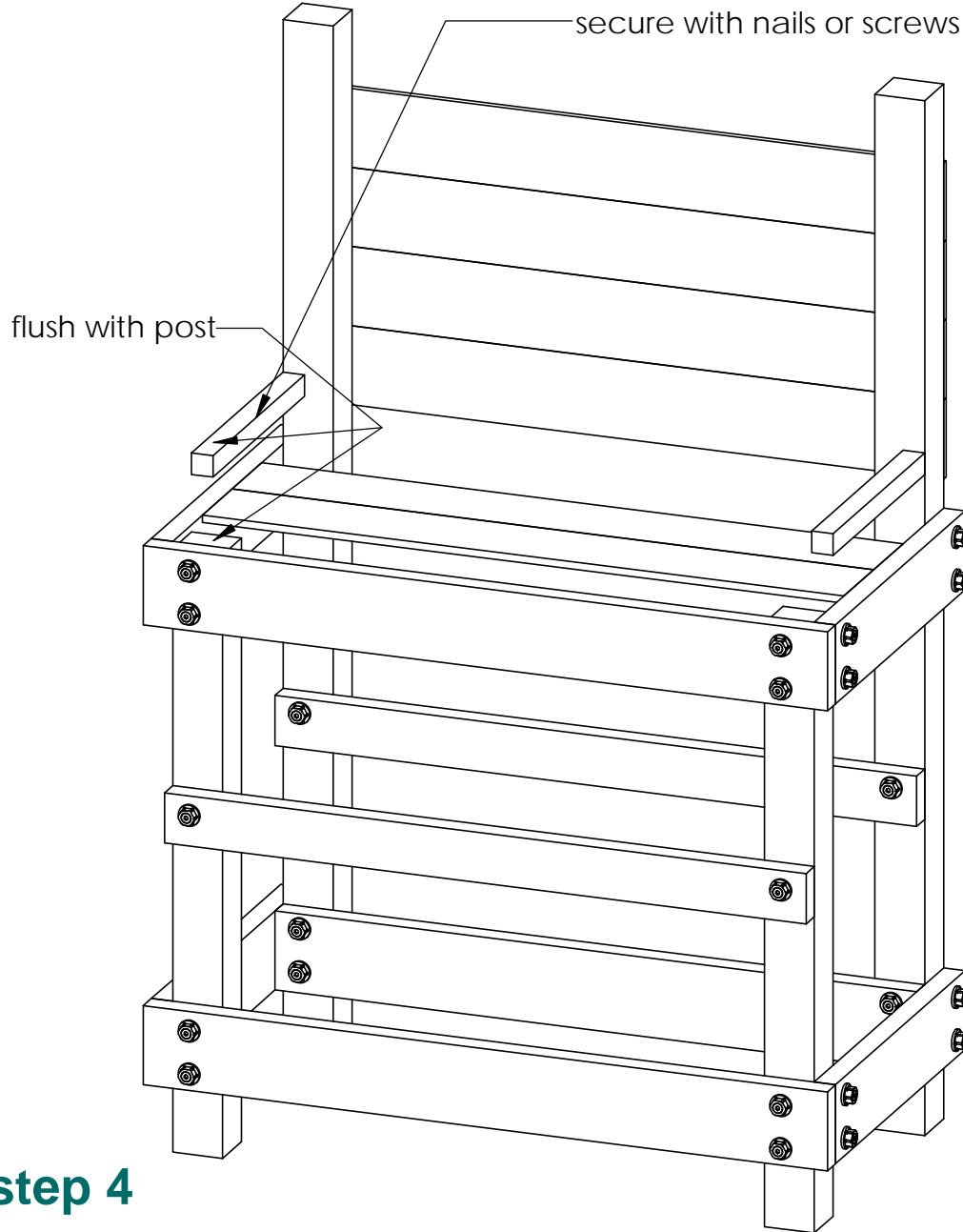
**step 2**

OZCO Project #520 - Garden Bench-Buffer



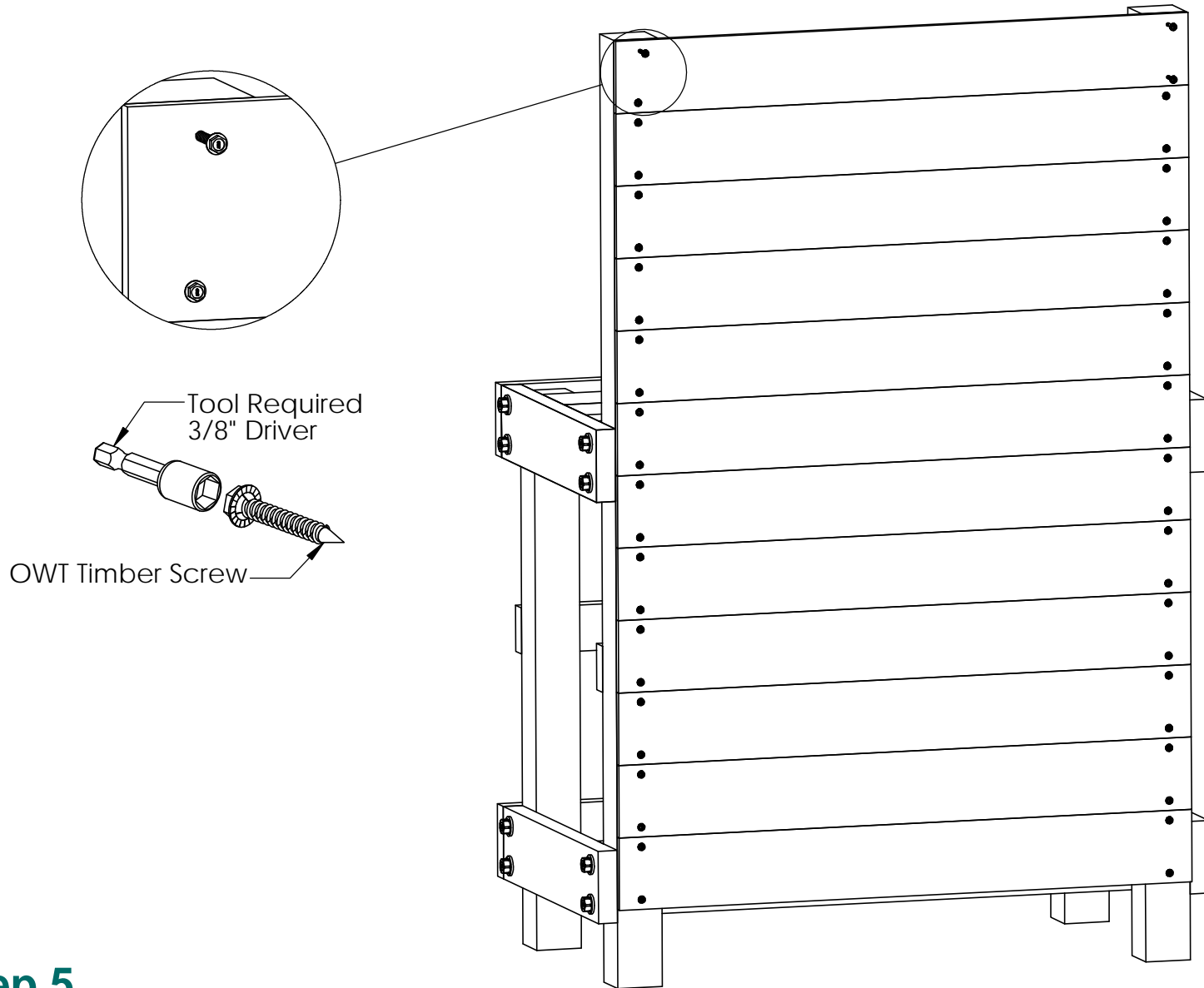
### step 3

OZCO Project #520 - Garden Bench-Buffer



## step 4

OZCO Project #520 - Garden Bench-Buffer



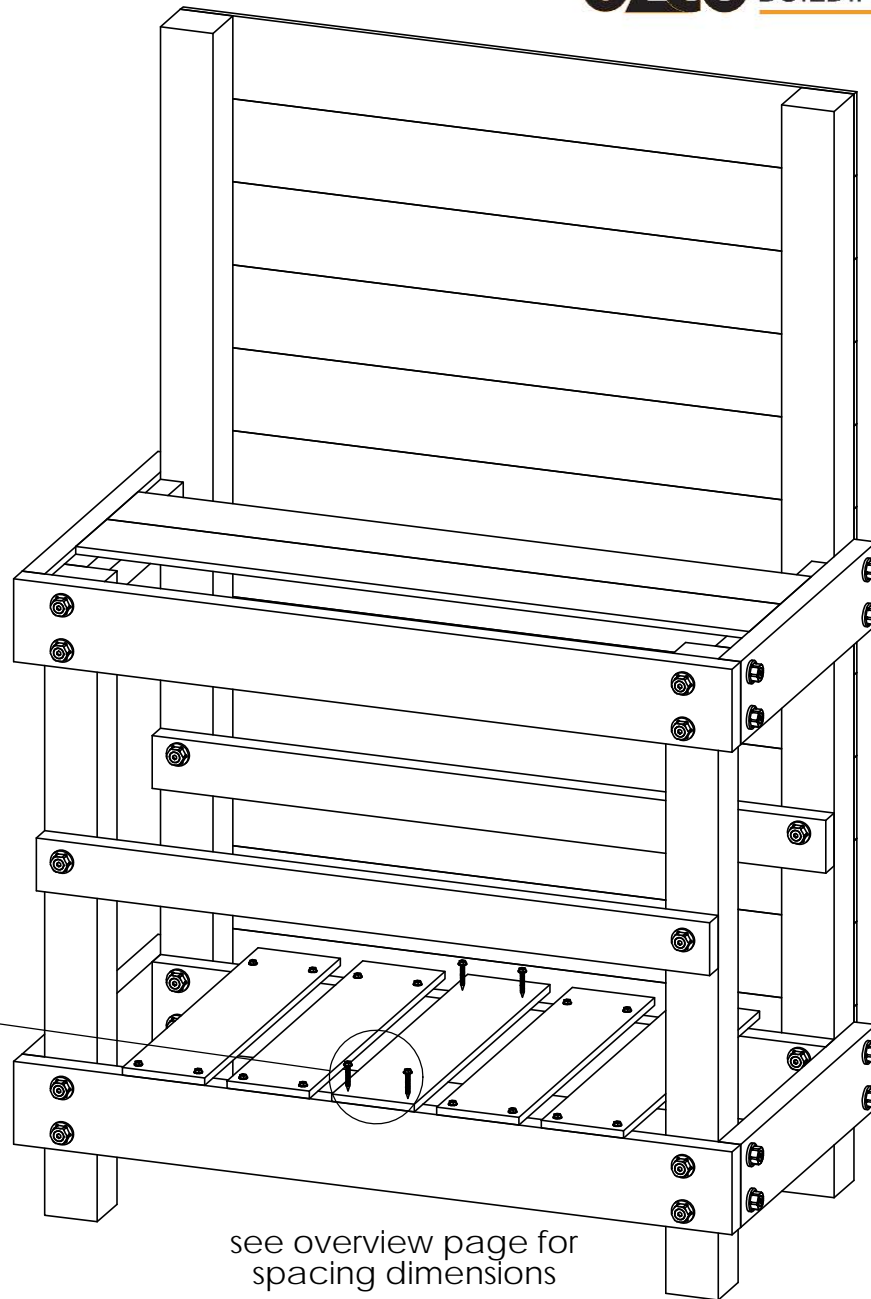
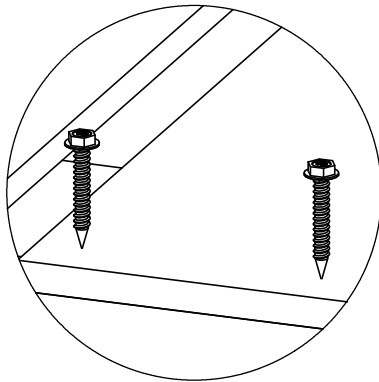
## step 5

OZCO Project #520 - Garden Bench-Bufferet



Tool Required  
3/8" Driver

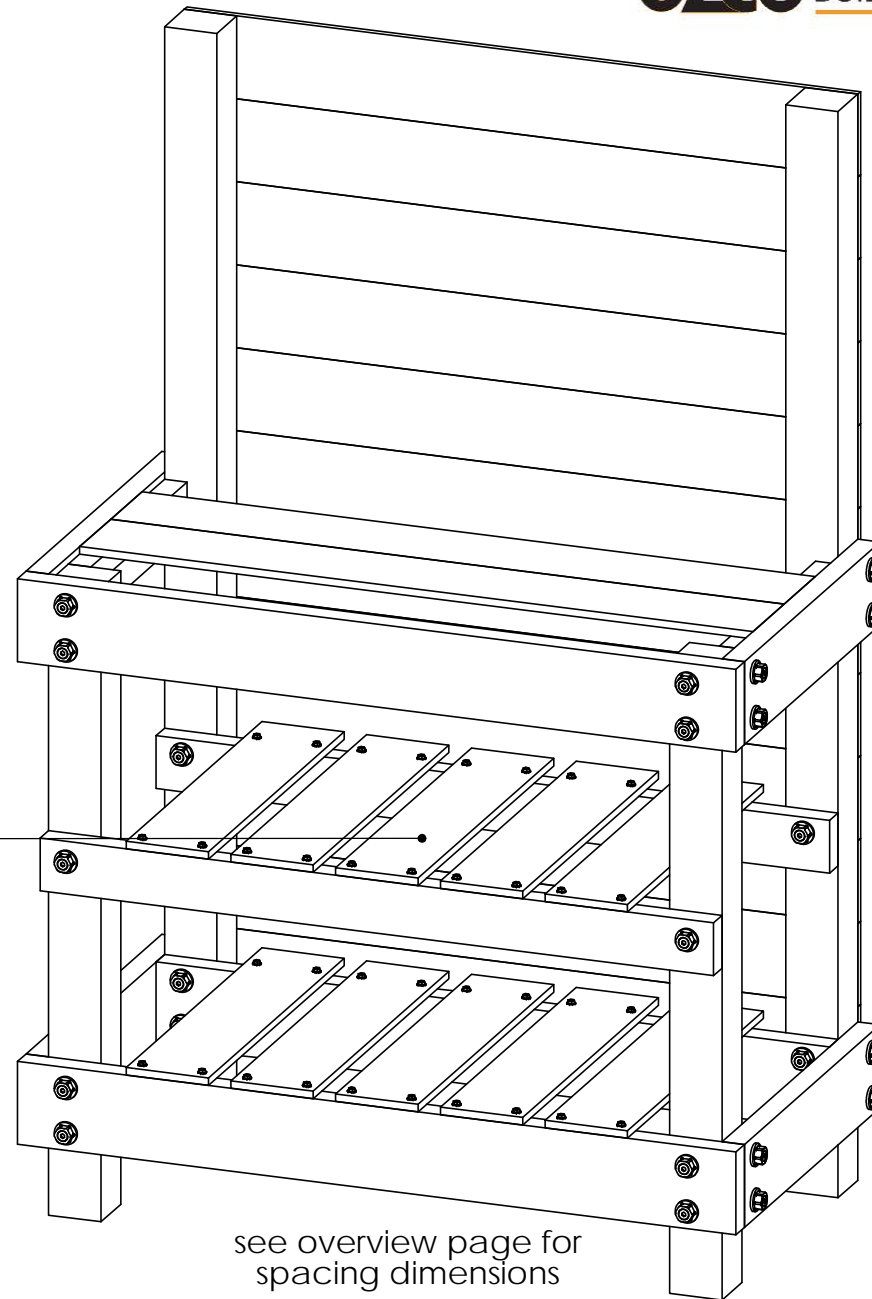
OWT Timber Screw



see overview page for  
spacing dimensions

## step 6

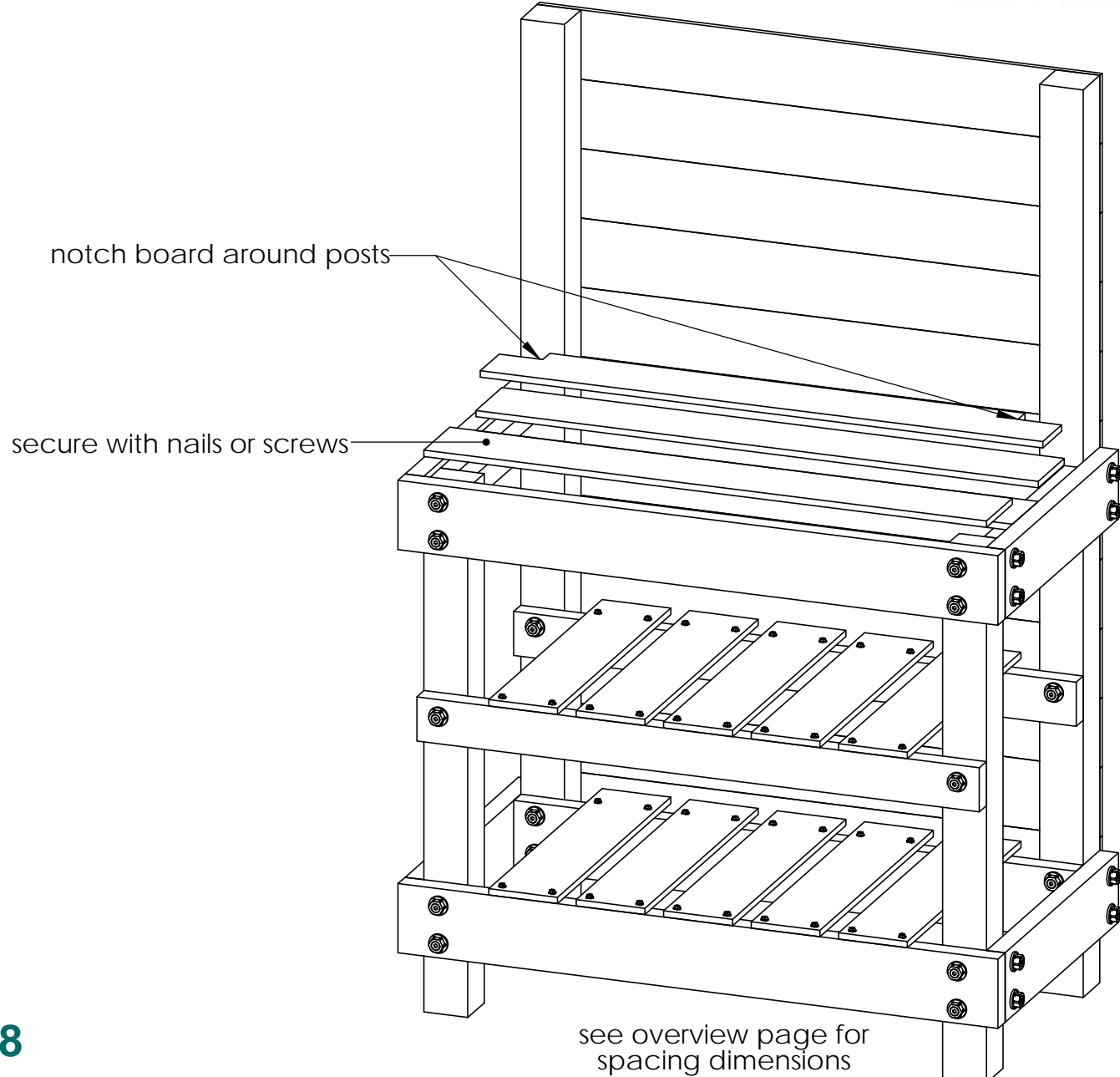
OZCO Project #520 - Garden Bench-Buffer



repeat previous step for this shelf

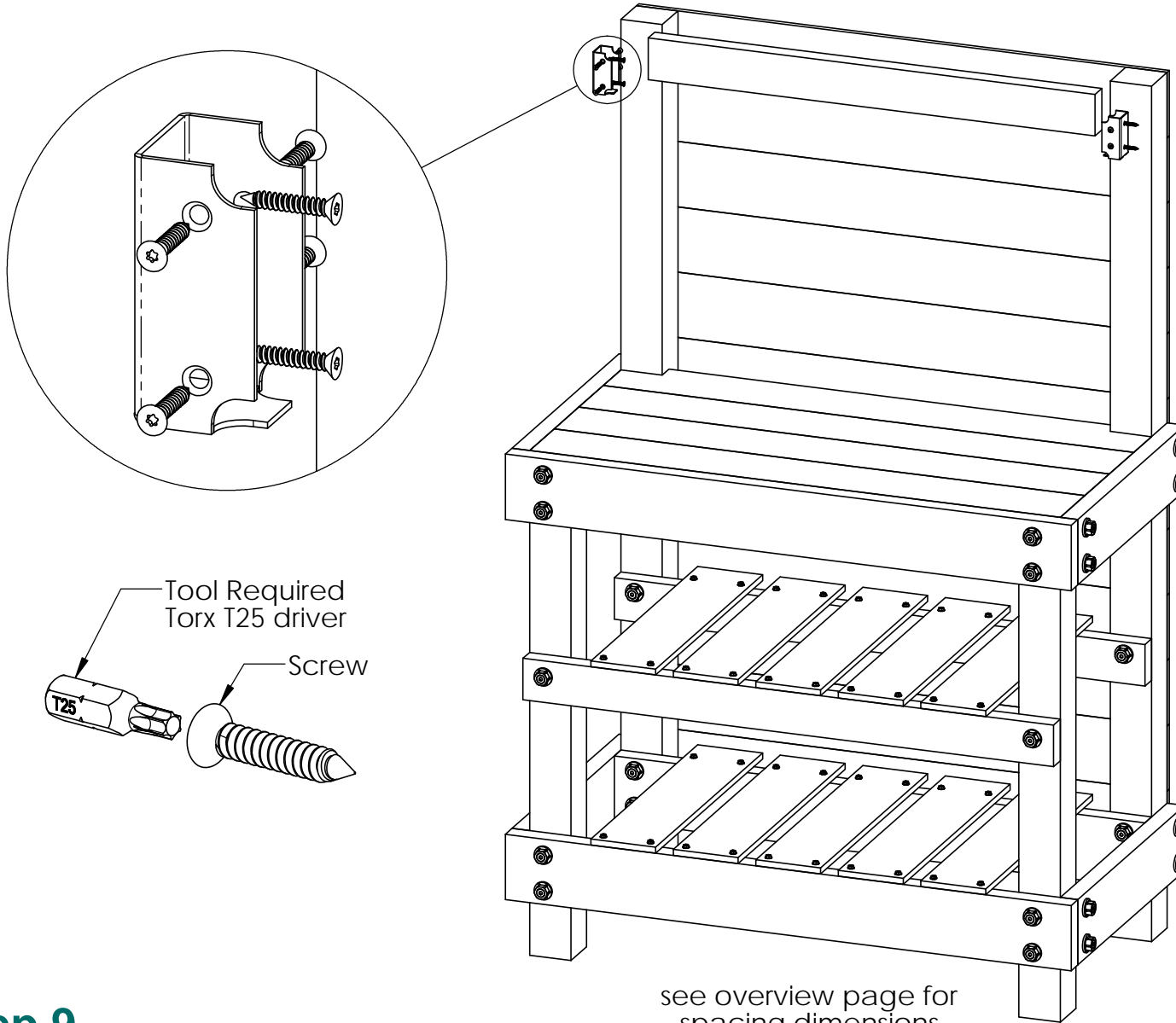
see overview page for  
spacing dimensions

### step 7



**step 8**

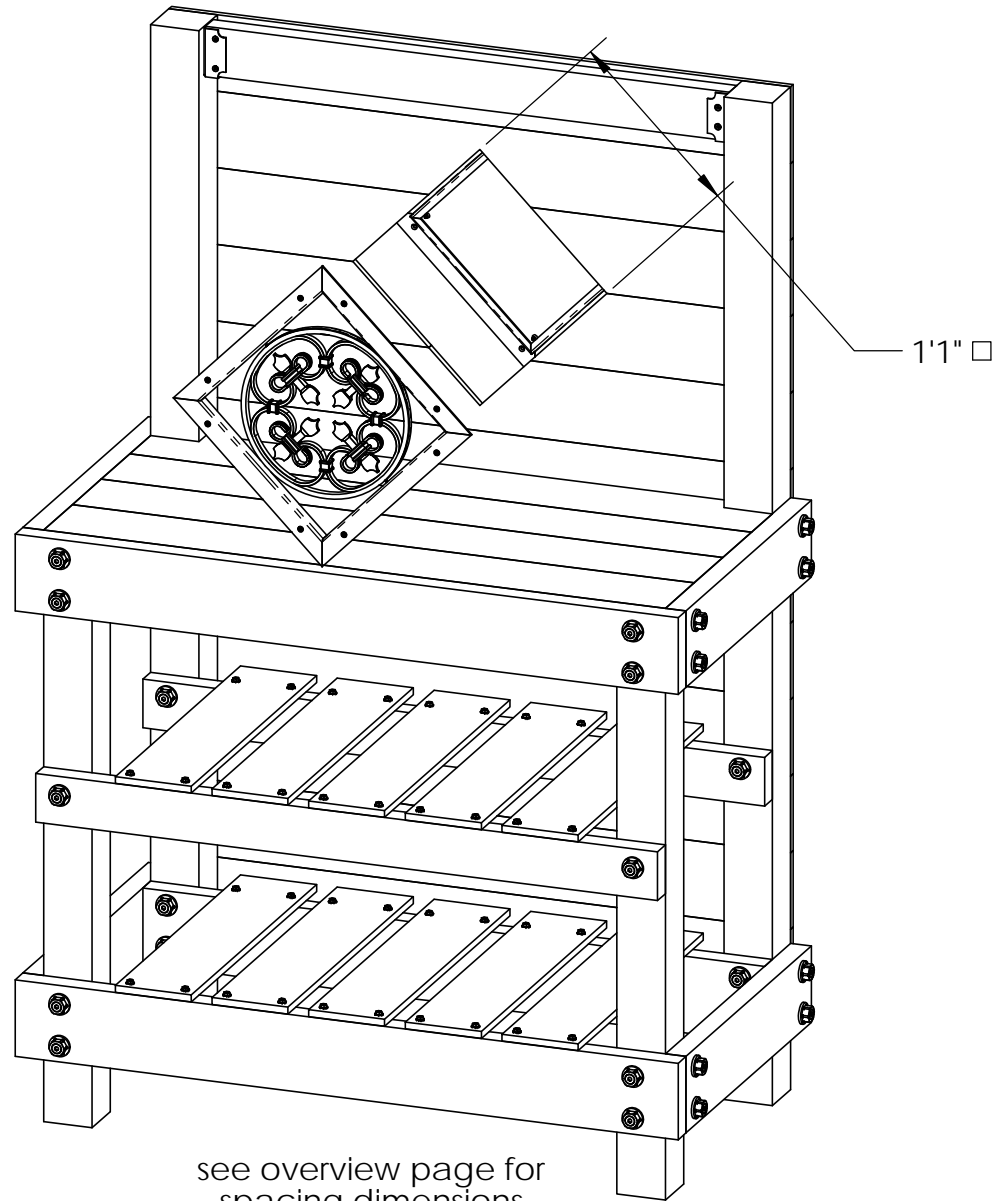
see overview page for  
spacing dimensions



**step 9**

**OZCO Project #520 - Garden Bench-Buffer**

see overview page for  
spacing dimensions



## step 10

see overview page for  
spacing dimensions